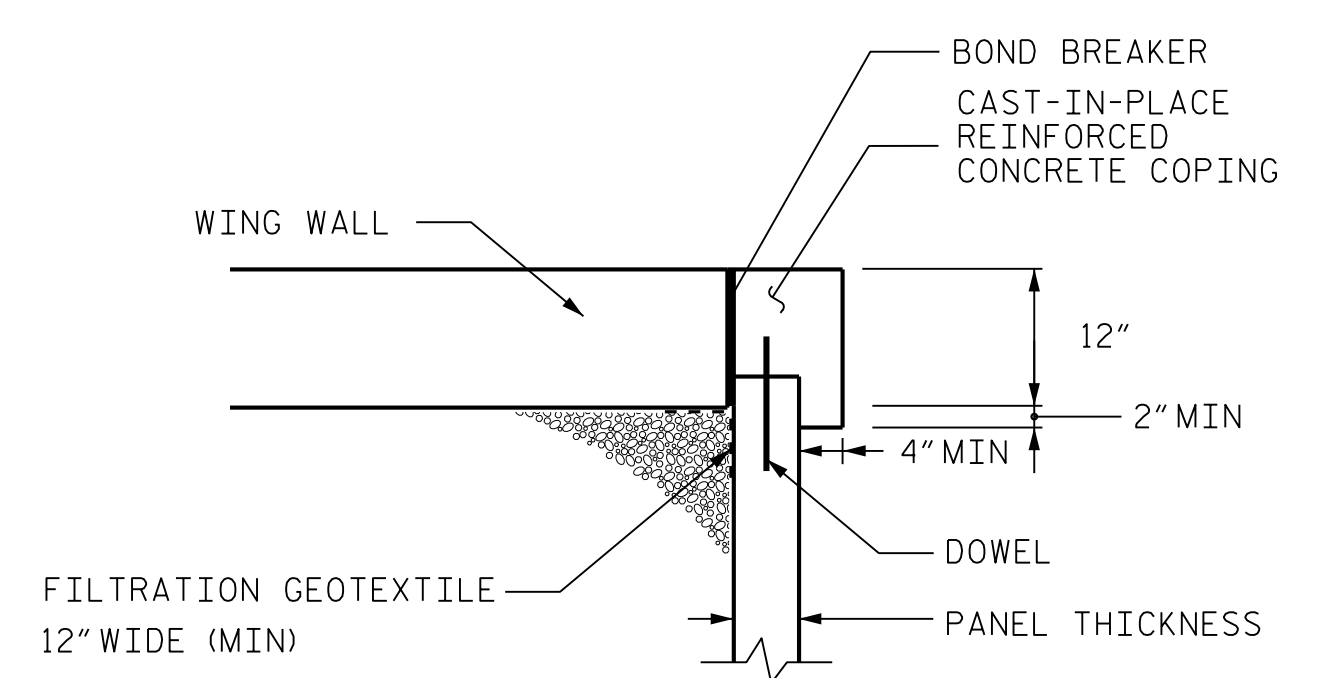
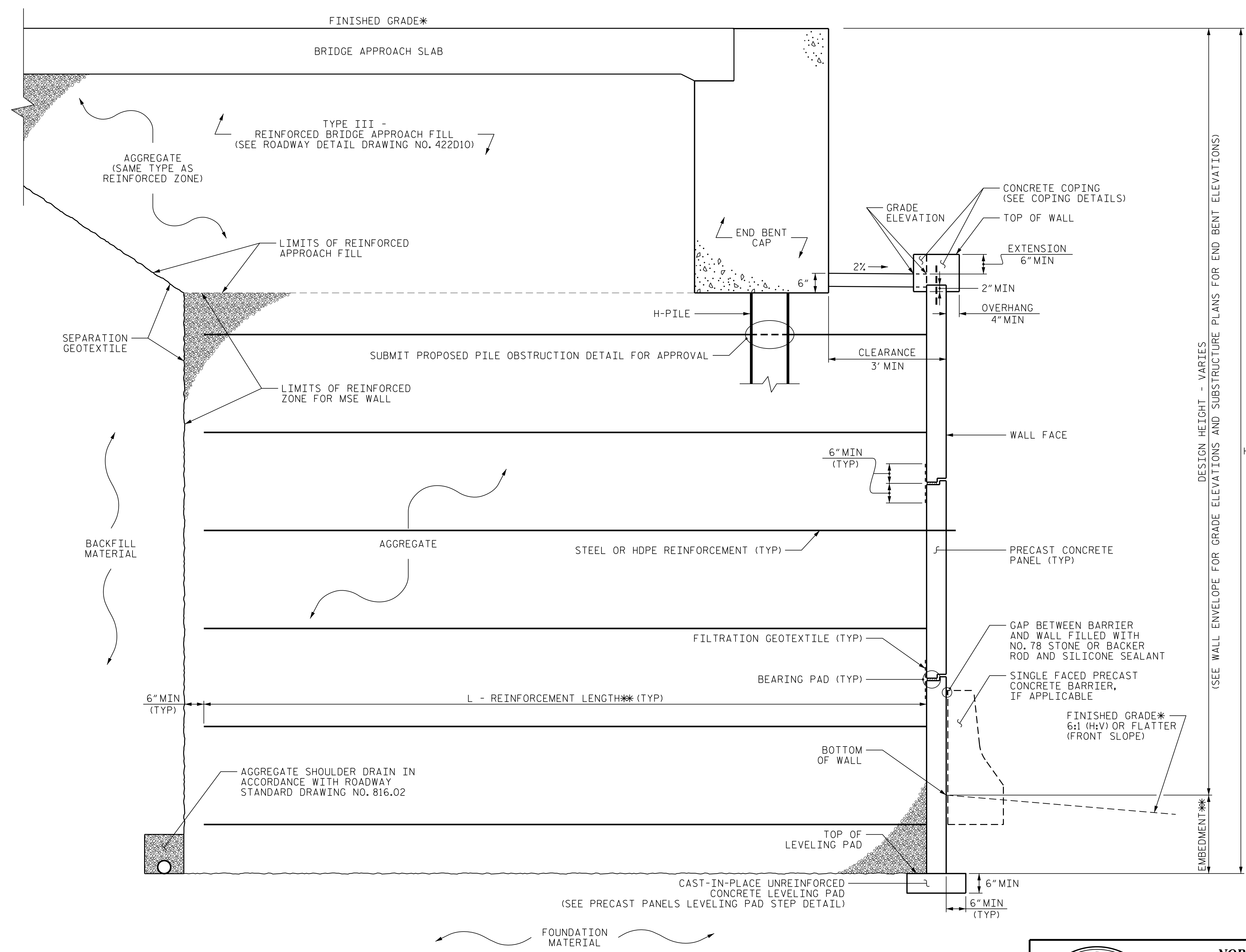
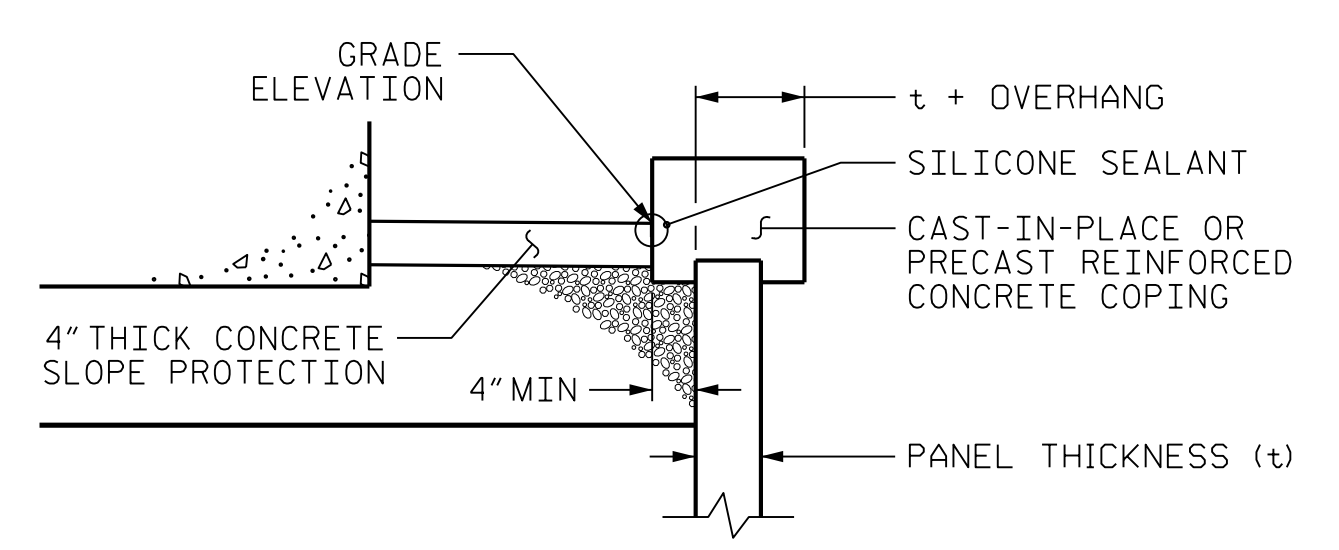
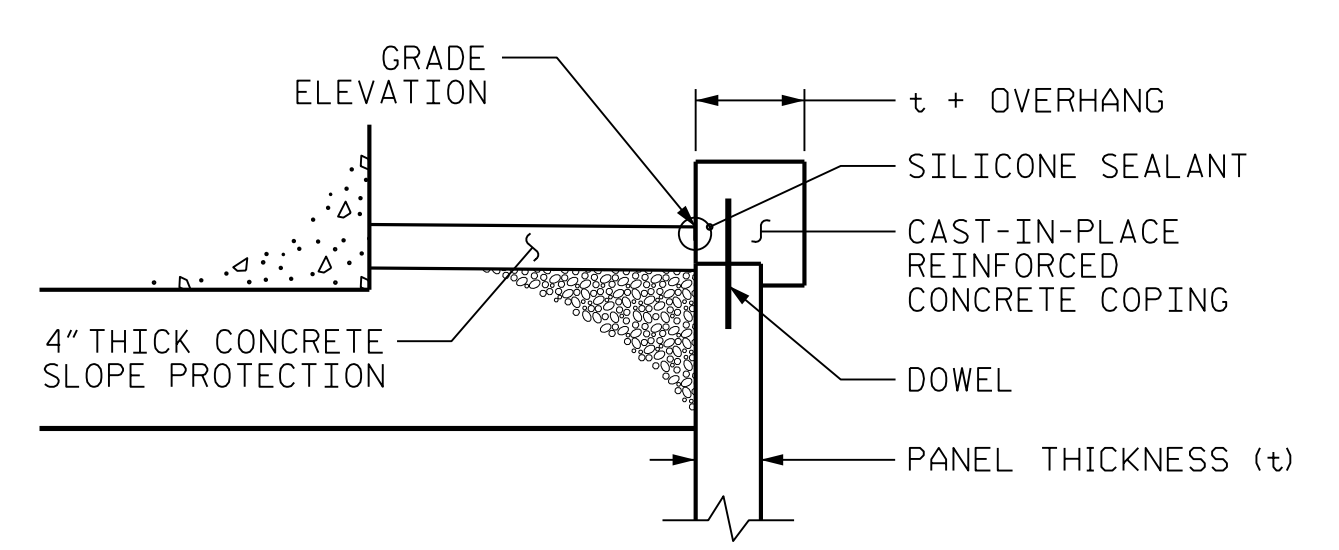


GEOTECHNICAL ENGINEER
 ENGINEER
 NORTH CAROLINA PROFESSIONAL SEAL 028669
 RICHARD S. WEBB
 DocuSigned by: Scott Webb
 Nov 30, 2021
 DOCUMENT NOT CONSIDERED FINAL UNLESS ALL SIGNATURES COMPLETED



VERTICAL COPING SECTION C-C



COPING DETAILS

AT THE CONTRACTOR'S OPTION, CONNECT COPING TO PANELS WITH DOWELS OR EXTEND COPING DOWN BACK OF PANELS.

MSE ABUTMENT WALL WITH PRECAST PANELS - TYPICAL SECTION

*SEE ROADWAY PLANS FOR FINISHED GRADE DETAILS.
 **SEE MSE RETAINING WALLS PROVISION AND IF APPLICABLE, MSE WALL NOTES FOR EMBEDMENT AND REINFORCEMENT LENGTH REQUIREMENTS.

PREPARED BY: R. WEBB	DATE: 11-20
REVIEWED BY: D. TEAGUE	DATE: 11-20

NORTH CAROLINA
 DEPARTMENT OF TRANSPORTATION
 DIVISION OF HIGHWAYS
 GEOTECHNICAL
 ENGINEERING UNIT

PROJECT NO.: B-5353
 GUILFORD COUNTY
 STATION: _____
 SHEET 3 OF 4

REVISIONS						SHEET NO.
NO.	BY	DATE	NO.	BY	DATE	
1			3			W2-3
2			4			