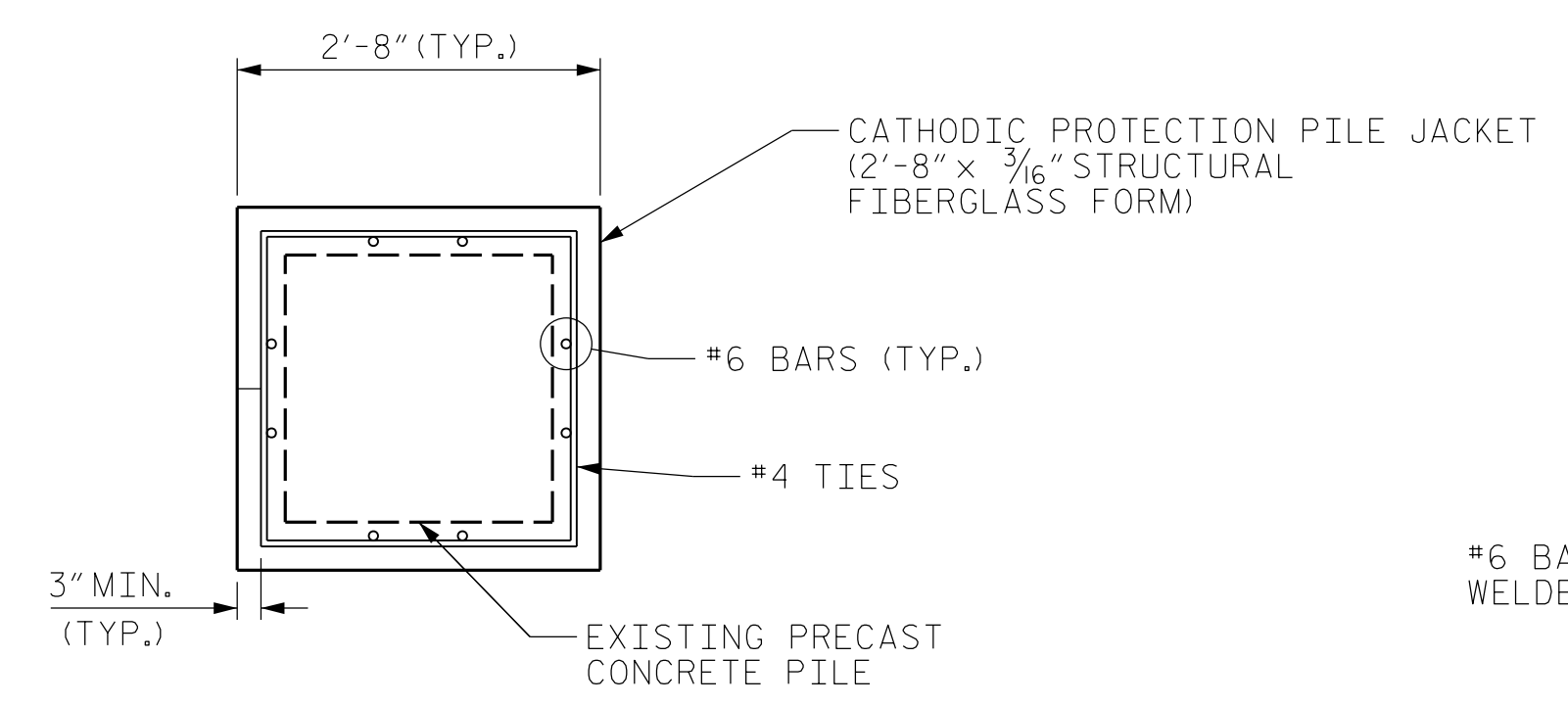
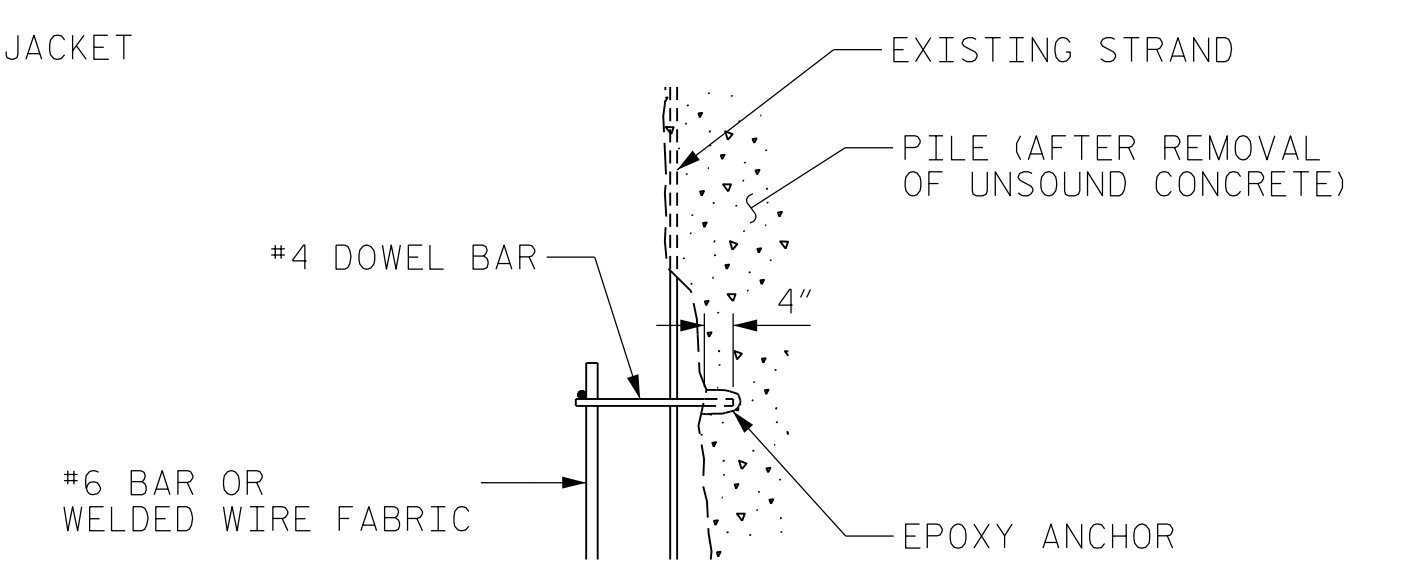


SECTION E-E



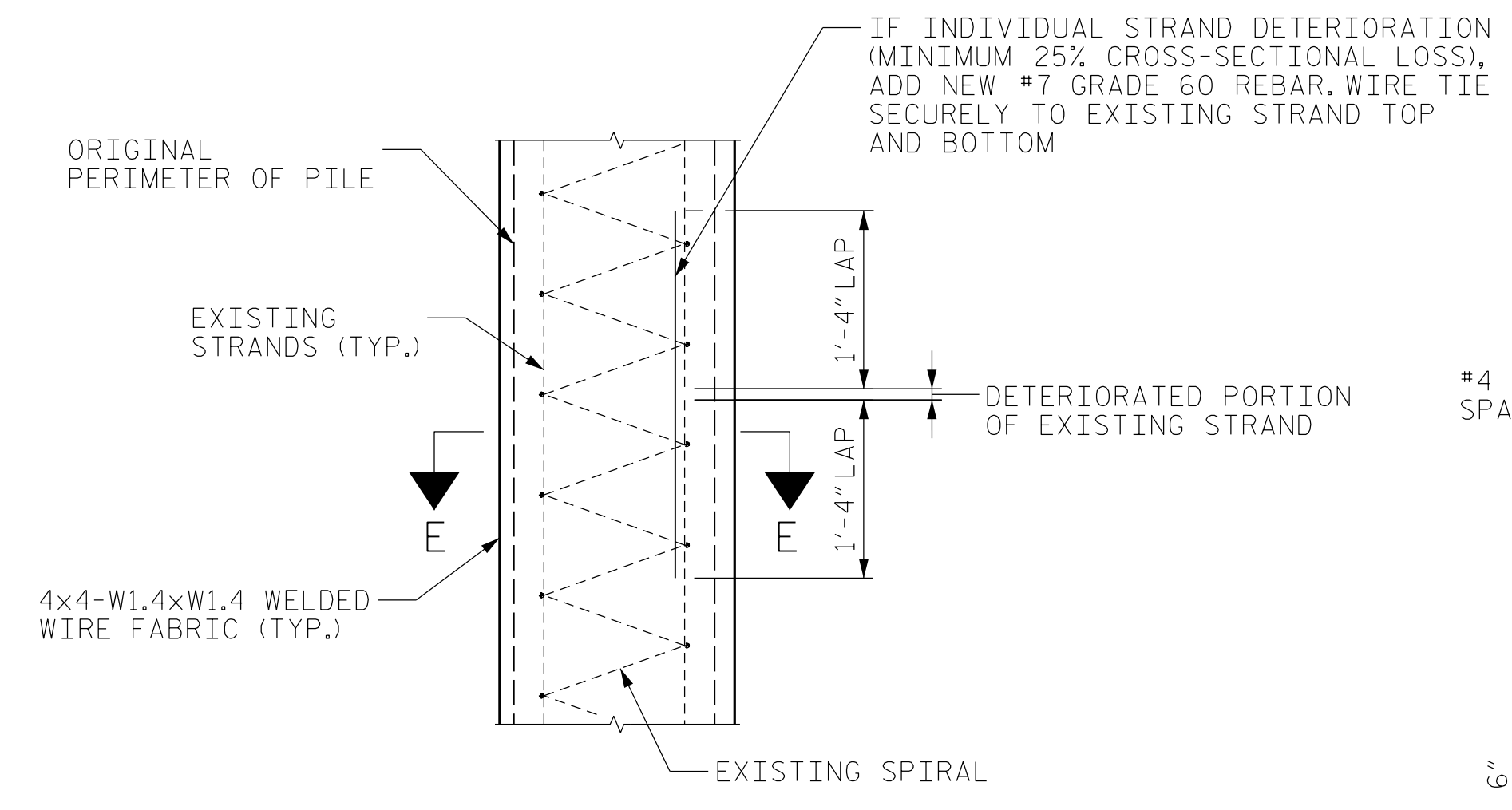
SECTION F-F



DETAIL A - DOWEL CONNECTION

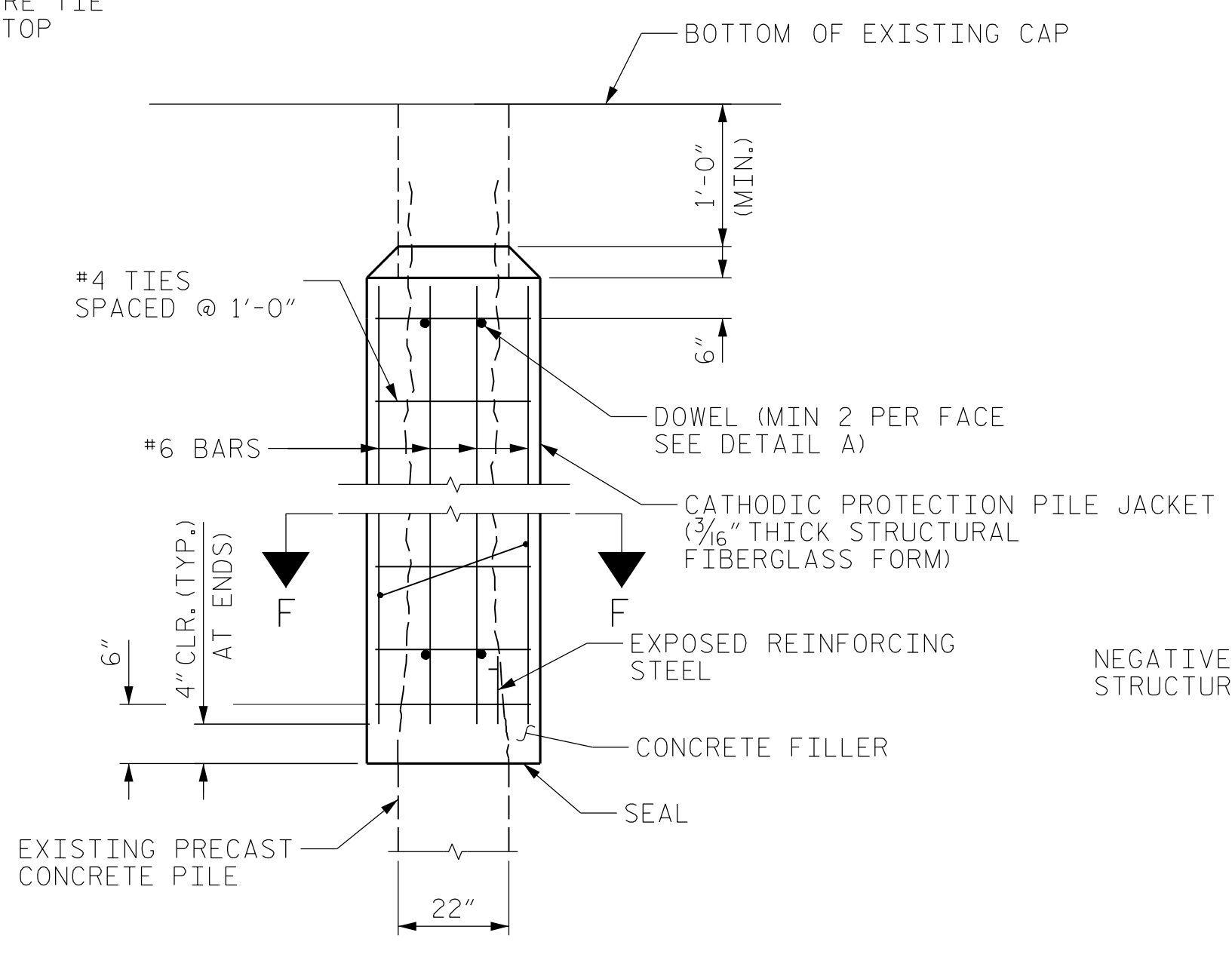
1. EMBED DOWEL WITH EPOXY AT A POINT WHERE STRAND IS INTACT AND CONTINUOUS WITH THE PILE LENGTH EXTENDING FROM THAT PARTICULAR END OF THE JACKET. MAINTAIN ELECTRICAL ISOLATION BETWEEN DOWEL AND EXISTING PILE REINFORCEMENT.
2. RESISTANCE WELD DOWEL AT #7 BAR OR WELDED WIRE FABRIC TO ESTABLISH CONDUCTIVE CONNECTION. FOR BELOW WATER JACKET USE MECHANICAL CONNECTION. CONTRACTOR TO SUBMIT DETAIL TO ENGINEER FOR APPROVAL.
3. COAT ALL RESISTANCE WELD CONNECTIONS WITH TWO COATS OF 100% SOLIDS NON-CONDUCTIVE EPOXY.
4. WIRE TIE ALL INTERSECTIONS OF REINFORCING CAGE.
5. FILLER FOR JACKETS SHALL BE IN ACCORDANCE WITH CONTRACT DOCUMENTS. REINFORCING FOR JACKETS SHALL BE AS DETAILED ON THIS SHEET.

NOTE:  
PROVIDE ELECTRICAL CONTINUITY BETWEEN THE NEW AND EXISTING STEEL AT THE CONNECTION JUNCTION BOX (SEE JUNCTION BOX DETAIL).

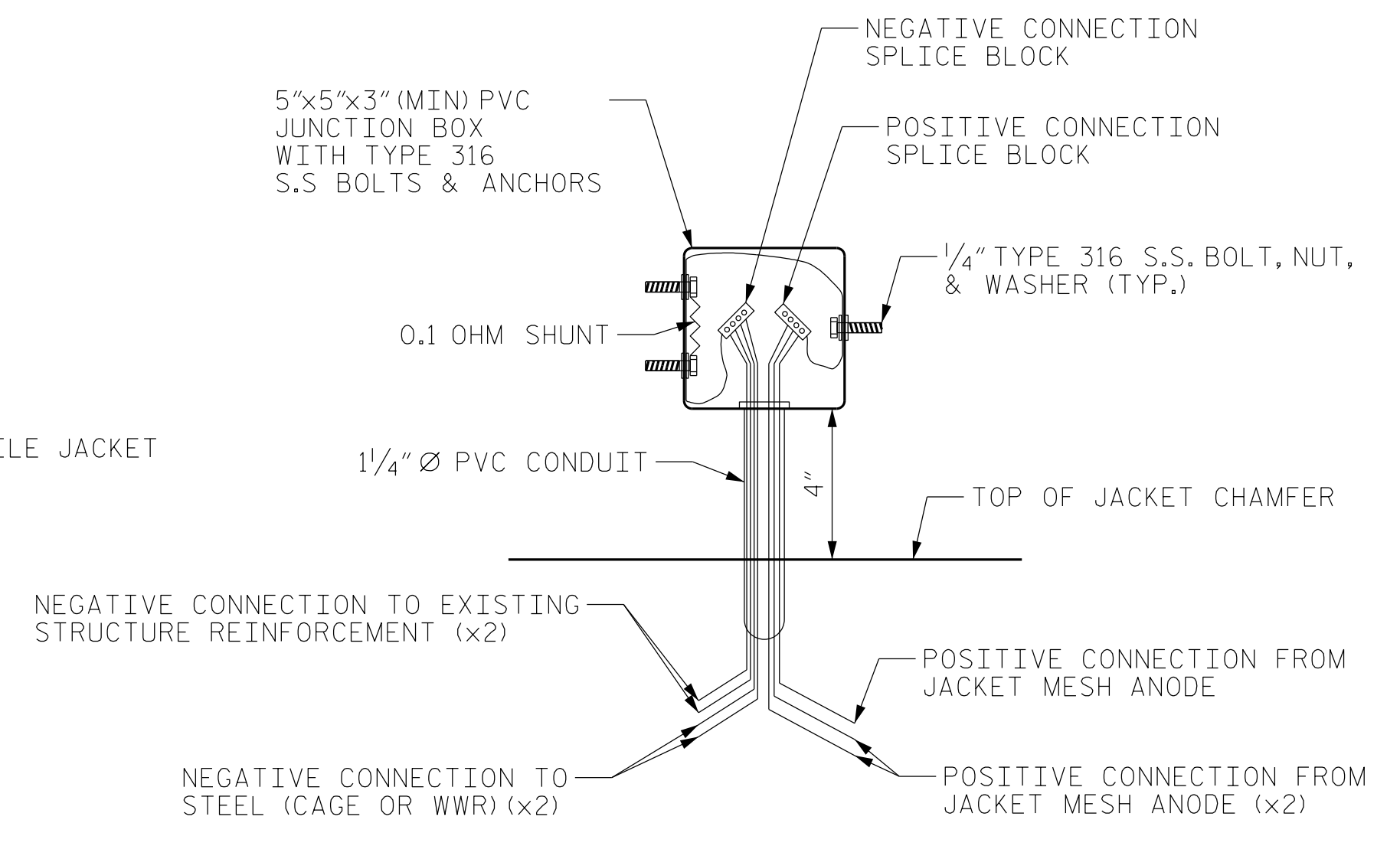


SCHEME 3  
NON-STRUCTURAL CATHODIC PILE JACKET  
(JACKET AND GROUT FILLER NOT SHOWN FOR CLARITY)

NOTE:  
MINIMUM STEEL AREA REQUIREMENTS FOR NON-STRUCTURAL CASE 4x4-W1.4xW1.4 WELDED WIRE FABRIC OR GREATER.



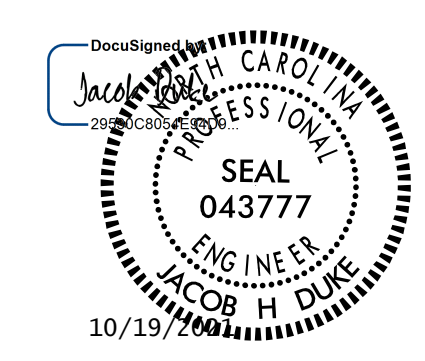
SCHEME 4  
STRUCTURAL CATHODIC PILE JACKET  
(CATHODIC COMPONENTS NOT SHOWN FOR CLARITY)



JUNCTION BOX DETAIL

PROJECT NO. 15BPR.46  
DARE COUNTY  
 BRIDGE NO. 270012

SHEET 3 OF 3



STATE OF NORTH CAROLINA  
 DEPARTMENT OF TRANSPORTATION  
 RALEIGH  
**CATHODIC PROTECTION  
 PILE JACKETS**

DRAWN BY :	DIEGO A. AGUIRRE	DATE :	9/30/2020
CHECKED BY :	JACOB H. DUKE	DATE :	10/1/2020
DESIGN ENGINEER OF RECORD:	JACOB H. DUKE	DATE :	10/1/2020

10/19/2021  
 15BPR.46.SMU.PR03.270012.dgn  
 jduke

DOCUMENT NOT CONSIDERED  
 FINAL UNLESS ALL  
 SIGNATURES COMPLETED

REVISIONS						SHEET NO.
NO.	BY:	DATE:	NO.	BY:	DATE:	S-62
1			3			TOTAL SHEETS
2			4			137