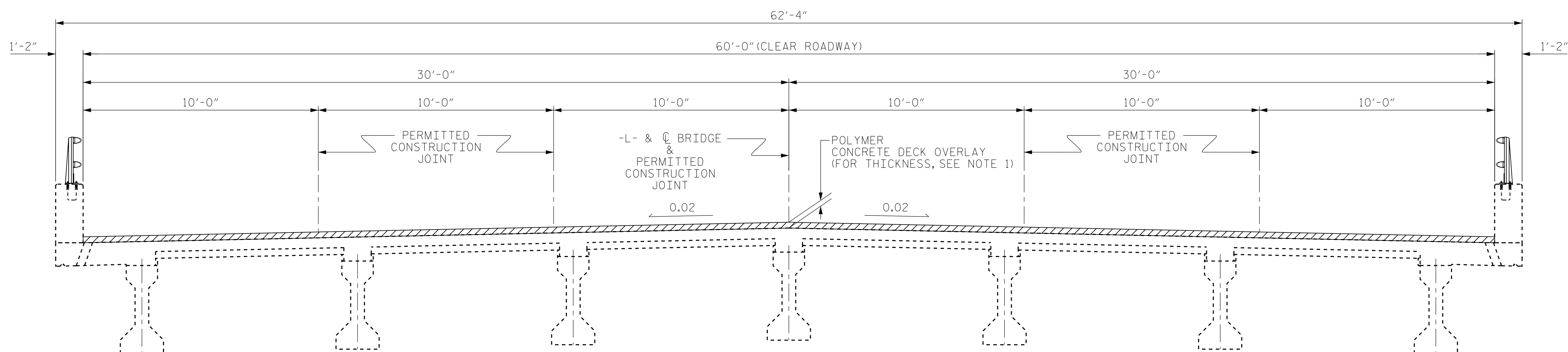


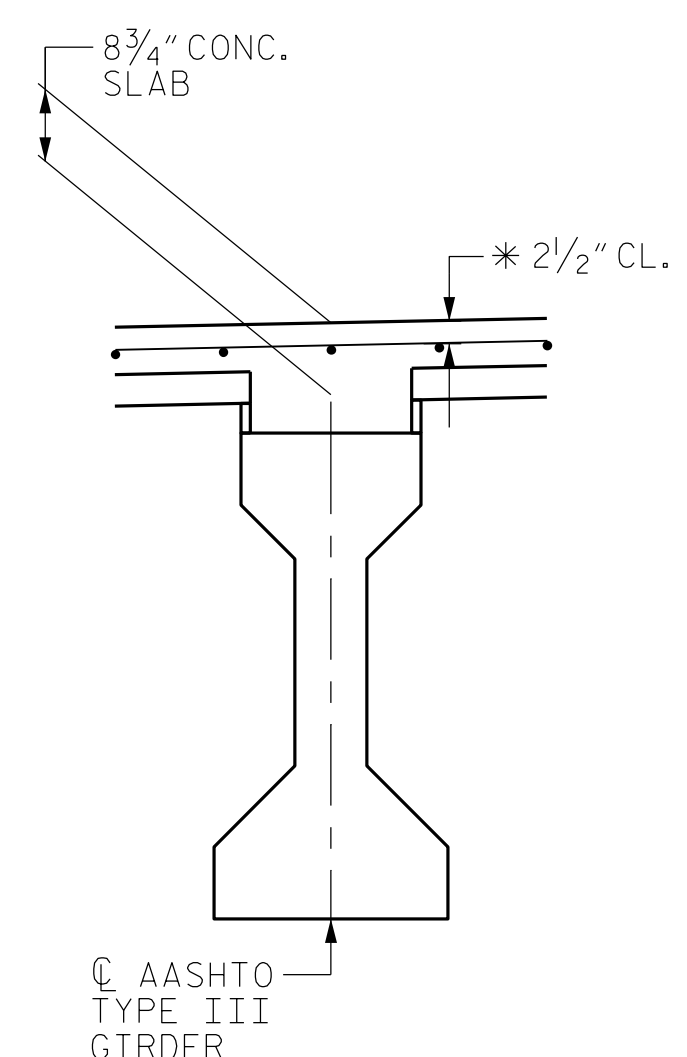
EXISTING SECTION

(SPANS 34 THRU 73)



PROPOSED SECTION

(SPANS 34 THRU 73)



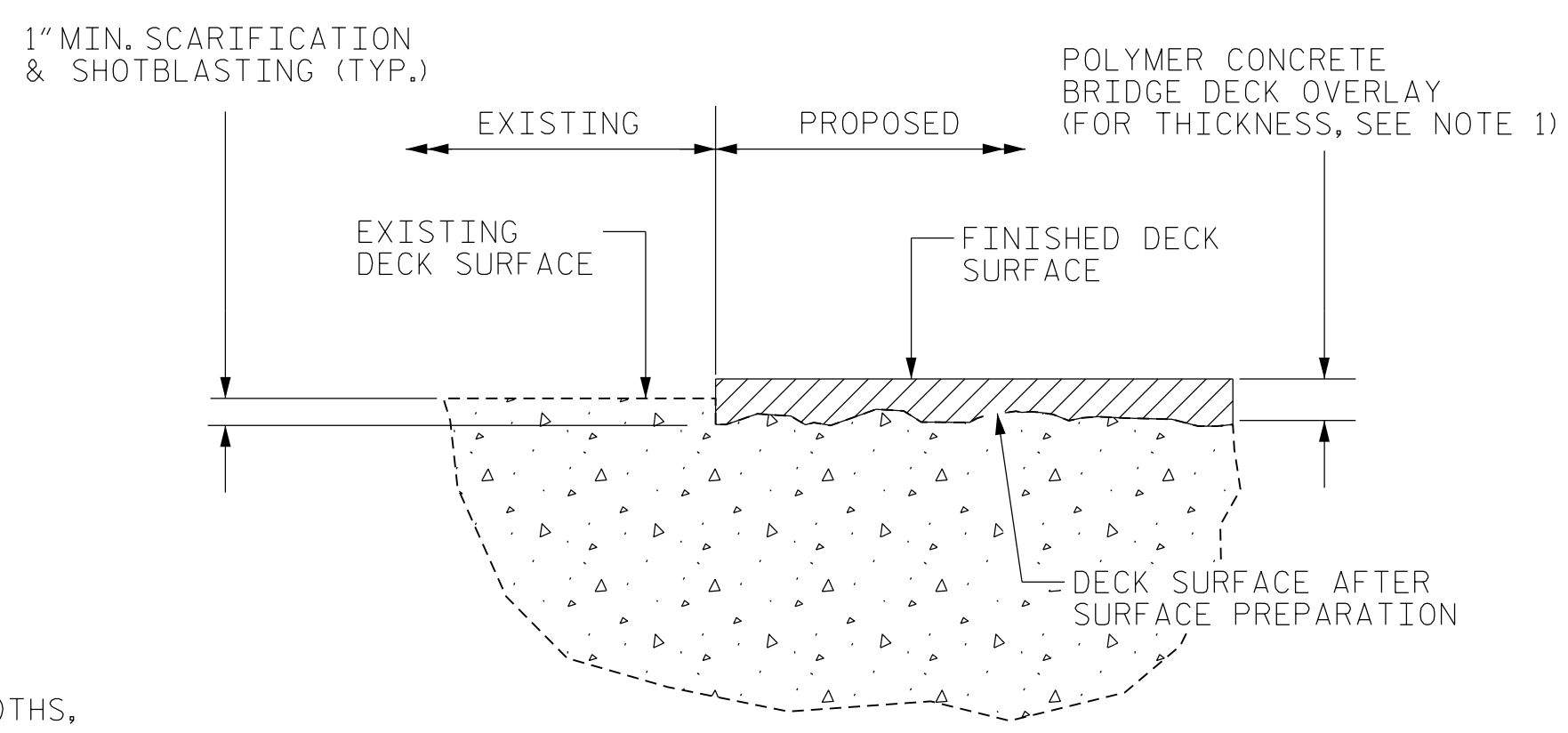
EXISTING SLAB SECTION

(SPANS 34 THRU 73)

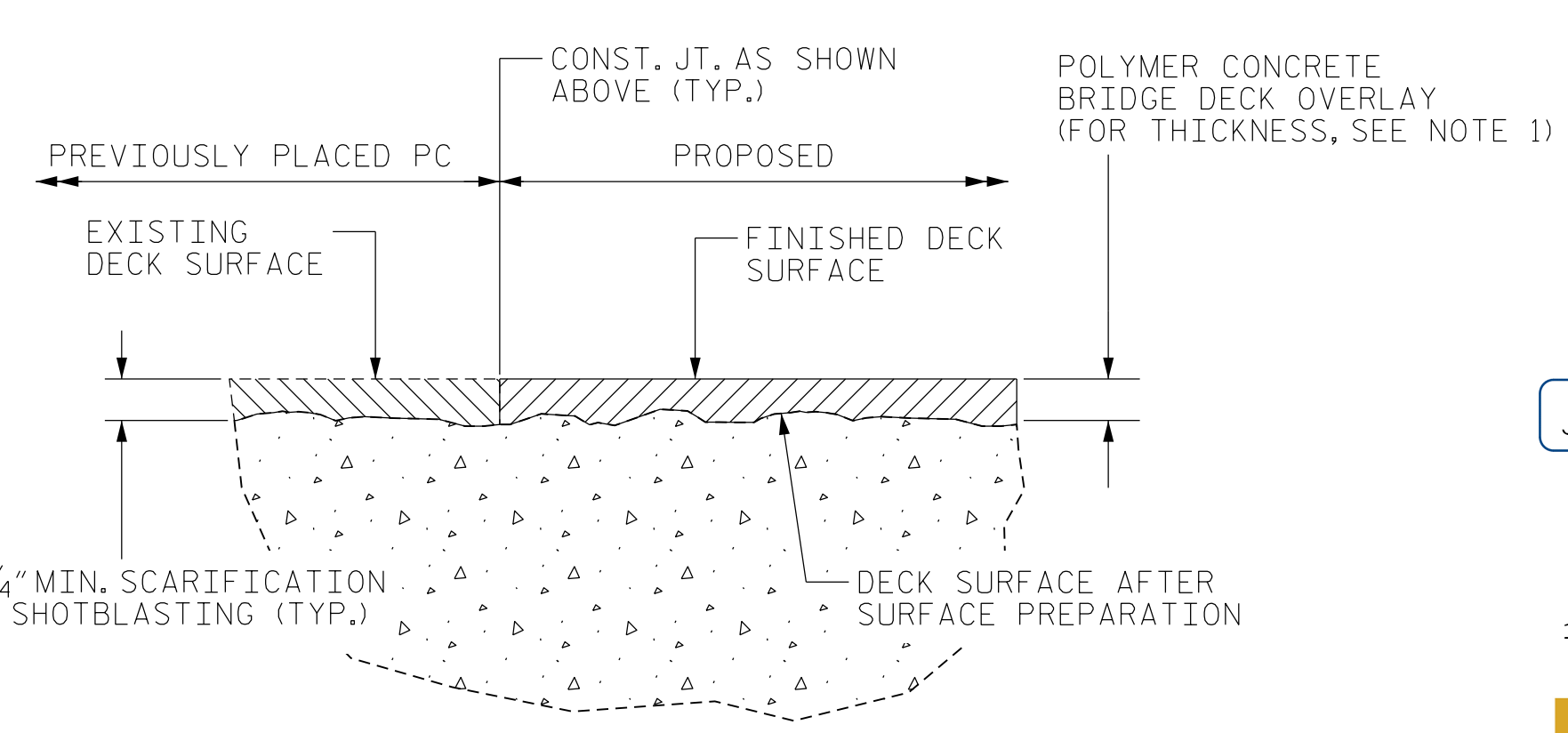
\* CONCRETE COVER PER EXISTING PLANS DATED 10/1987

NOTES:

1. PC BRIDGE DECK OVERLAY IS TO BE APPLIED ON ALL SPANS USING A VARIABLE THICKNESS TO IMPROVE RIDEABILITY, AS SHOWN IN THE "DECK SURFACE REPAIR" SHEETS.
2. LONGITUDINAL CONSTRUCTION JOINTS OF OVERLAYS SHALL BE LOCATED ALONG THE CENTERLINE OR EDGE OF TRAVEL LANES.
3. SEE TRANSPORTATION MANAGEMENT PLANS FOR LANE WIDTHS, SEQUENCING, AND OTHER TRAFFIC CONTROL MEASURES FOR STAGING OF POLYMER CONCRETE (PC) SYSTEM AND SURFACE PREPARATION.

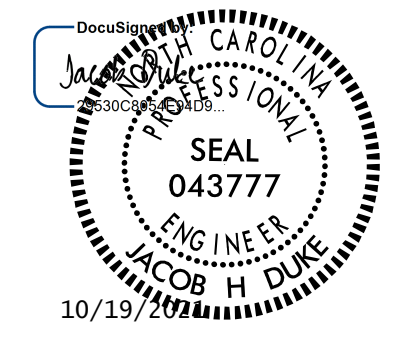


DETAIL FOR PC OVERLAY



DETAIL FOR STAGED PC OVERLAY

PROJECT NO. 15BPR.46  
DARE COUNTY  
 BRIDGE NO. 270012



STATE OF NORTH CAROLINA DEPARTMENT OF TRANSPORTATION RALEIGH					
TYPICAL SECTION SPANS 34-73					
SHEET NO. S-11					
TOTAL SHEETS 137					
REVISIONS					
NO.	BY:	DATE:	NO.	BY:	DATE:
1			3		
2			4		

DRAWN BY : DIEGO A. AGUIRRE DATE : 9/30/2020  
 CHECKED BY : JACOB H. DUKE DATE : 10/1/2020  
 DESIGN ENGINEER OF RECORD: JACOB H. DUKE DATE : 10/1/2020

DOCUMENT NOT CONSIDERED  
 FINAL UNLESS ALL  
 SIGNATURES COMPLETED