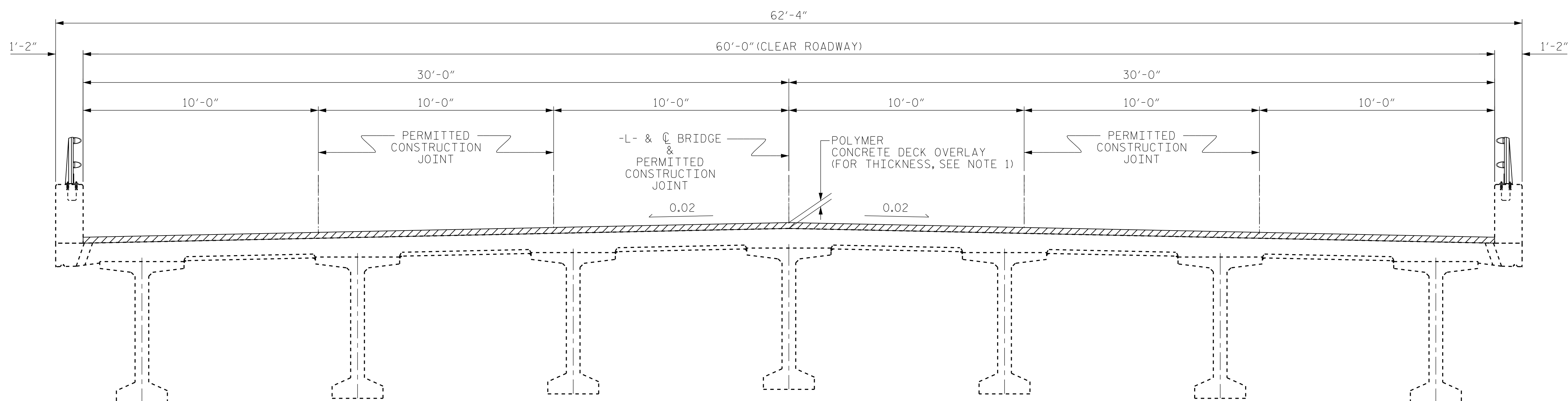
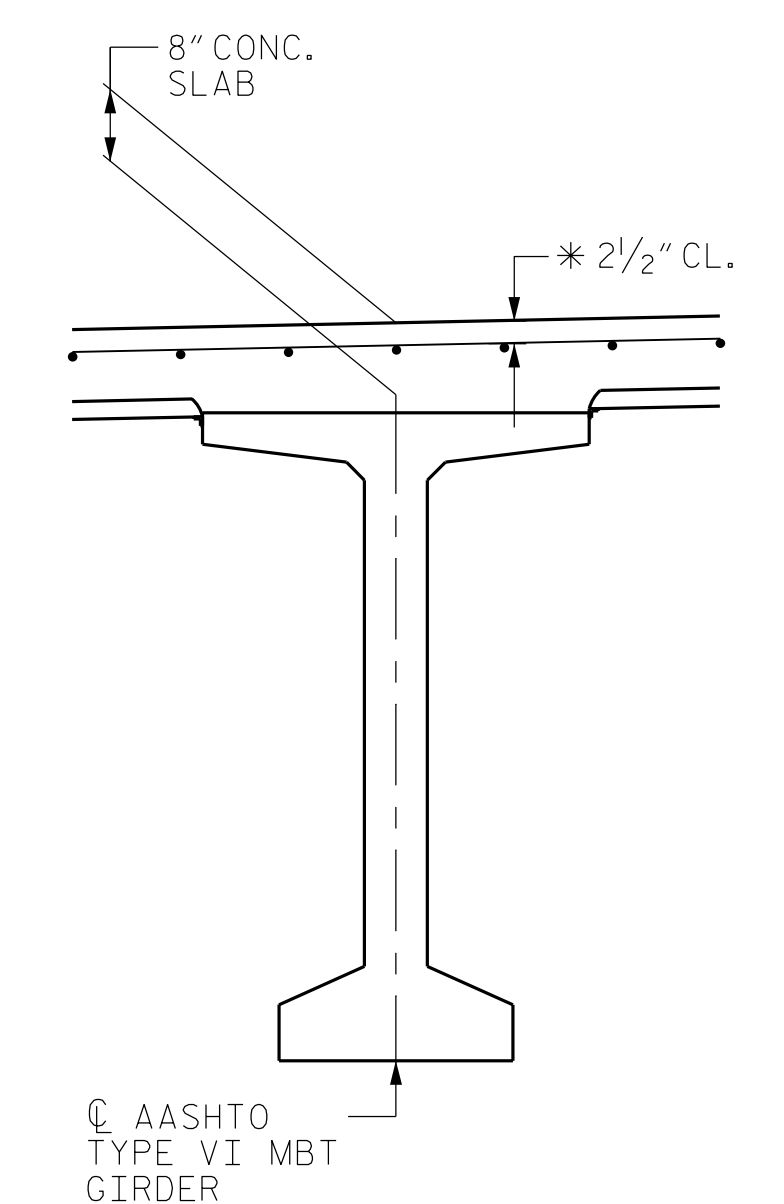


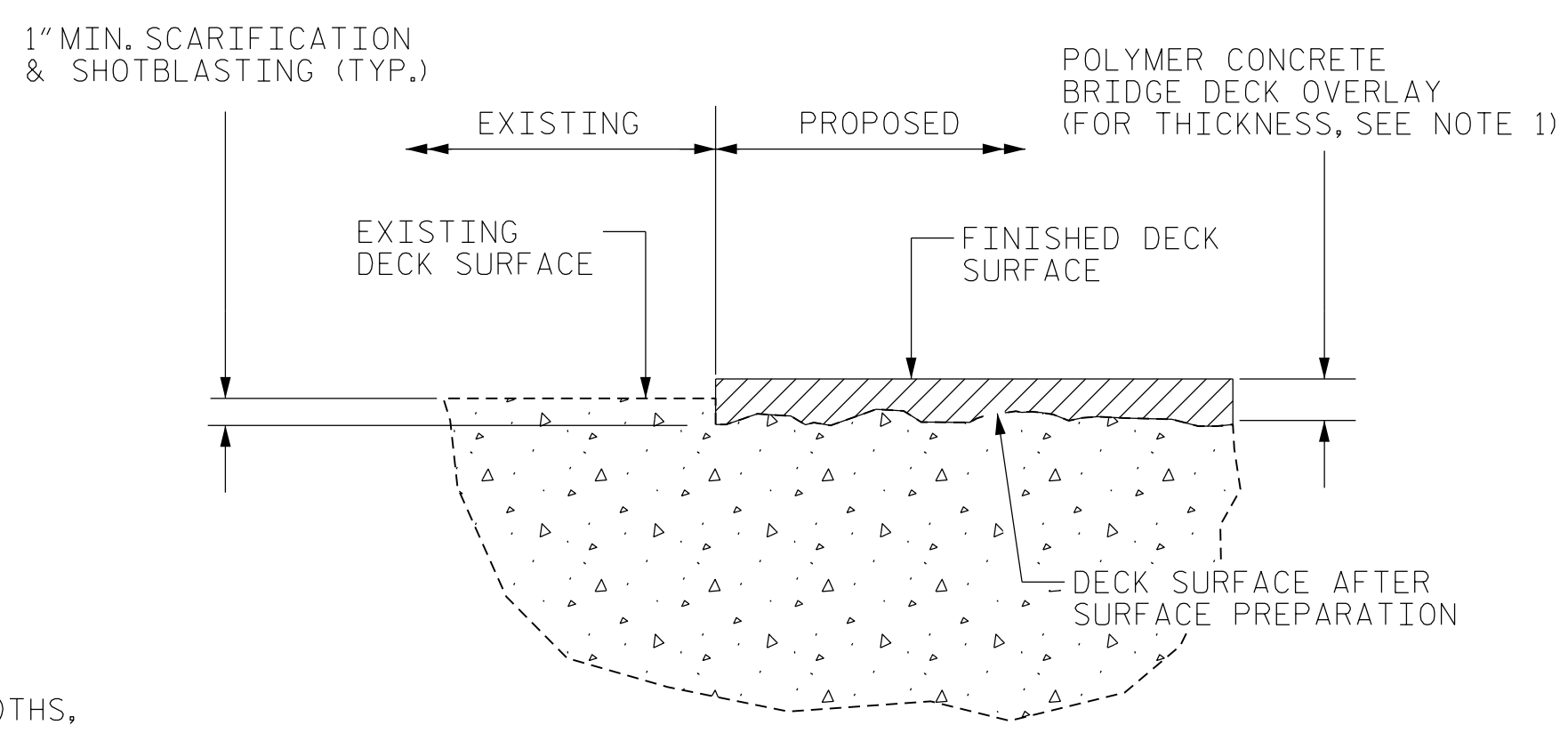
EXISTING SECTION
(SPANS 16 & 18, SPAN 17 SIMILAR)



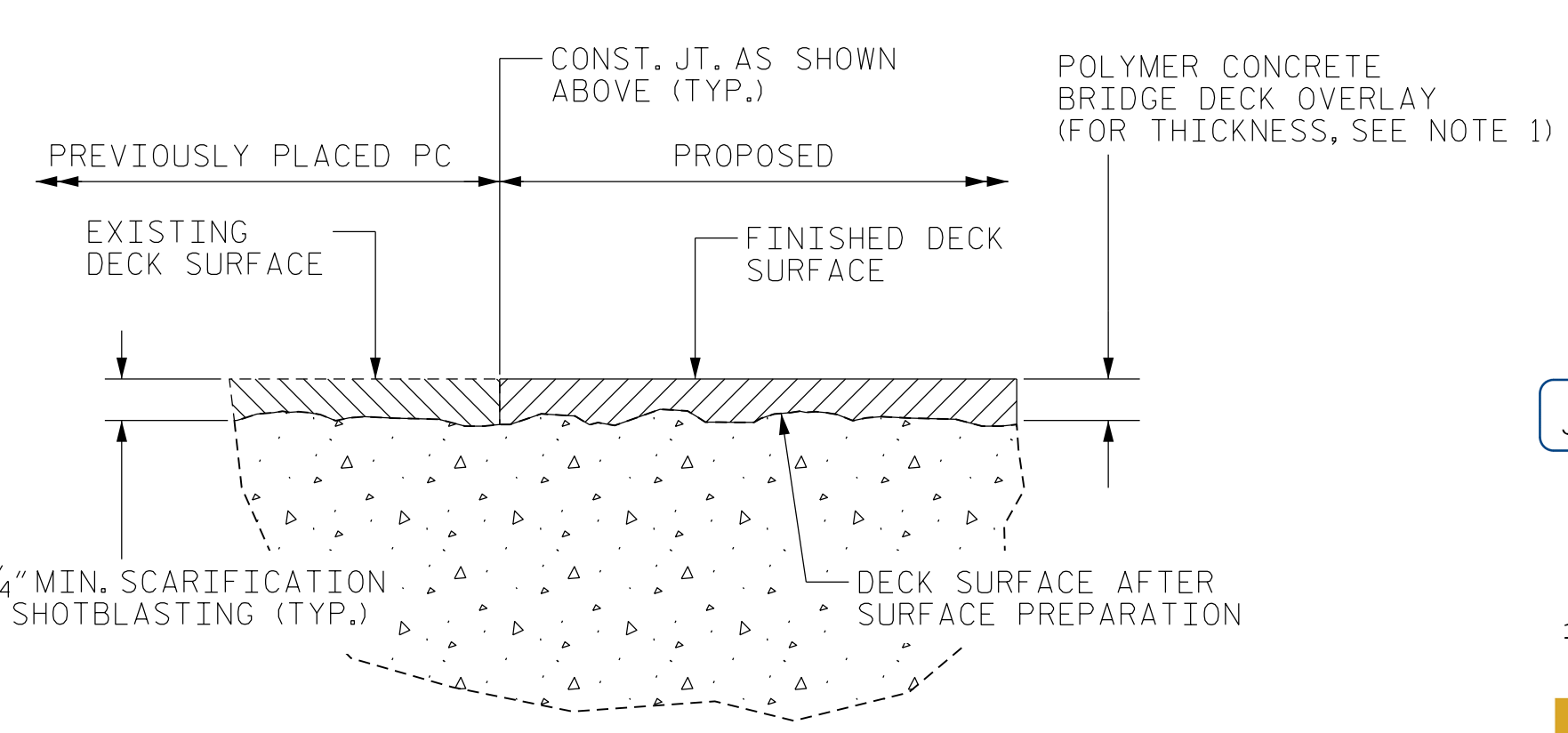
PROPOSED SECTION
(SPANS 16 & 18, SPAN 17 SIMILAR)



EXISTING SLAB SECTION
(SPANS 16 & 18, SPAN 17 SIMILAR)
* CONCRETE COVER PER EXISTING PLANS DATED 10/1987



DETAIL FOR PC OVERLAY



DETAIL FOR STAGED PC OVERLAY

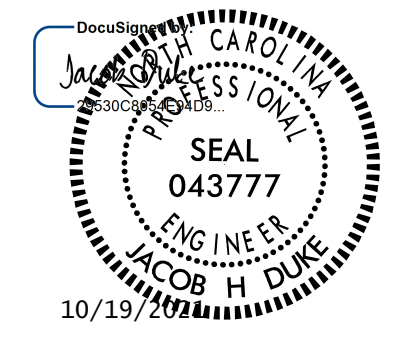
- NOTES:
1. PC BRIDGE DECK OVERLAY IS TO BE APPLIED ON ALL SPANS USING A VARIABLE THICKNESS TO IMPROVE RIDEABILITY, AS SHOWN IN THE "DECK SURFACE REPAIR" SHEETS.
 2. LONGITUDINAL CONSTRUCTION JOINTS OF OVERLAYS SHALL BE LOCATED ALONG THE CENTERLINE OR EDGE OF TRAVEL LANES.
 3. SEE TRANSPORTATION MANAGEMENT PLANS FOR LANE WIDTHS, SEQUENCING, AND OTHER TRAFFIC CONTROL MEASURES FOR STAGING OF POLYMER CONCRETE (PC) SYSTEM AND SURFACE PREPARATION.

DRAWN BY : DIEGO A. AGUIRRE DATE : 9/30/2020
 CHECKED BY : JACOB H. DUKE DATE : 10/1/2020
 DESIGN ENGINEER OF RECORD: JACOB H. DUKE DATE : 10/1/2020

10/19/2021
 15BPR.46.SMU.TS02.270012.dgn
 jduke

DOCUMENT NOT CONSIDERED
 FINAL UNLESS ALL
 SIGNATURES COMPLETED

PROJECT NO. 15BPR.46
 DARE COUNTY
 BRIDGE NO. 270012



KCA
 KISINGER CAMPO & ASSOCIATES
 301 FAYETTEVILLE ST., SUITE 1500
 RALEIGH, NC 27601 (919) 882-7839
 NC FIRM LICENSE: C-1506

STATE OF NORTH CAROLINA DEPARTMENT OF TRANSPORTATION RALEIGH						SHEET NO. S-10	
TYPICAL SECTION SPANS 16-18						TOTAL SHEETS 137	
REVISIONS							
NO.	BY:	DATE:	NO.	BY:	DATE:		
1			3				
2			4				