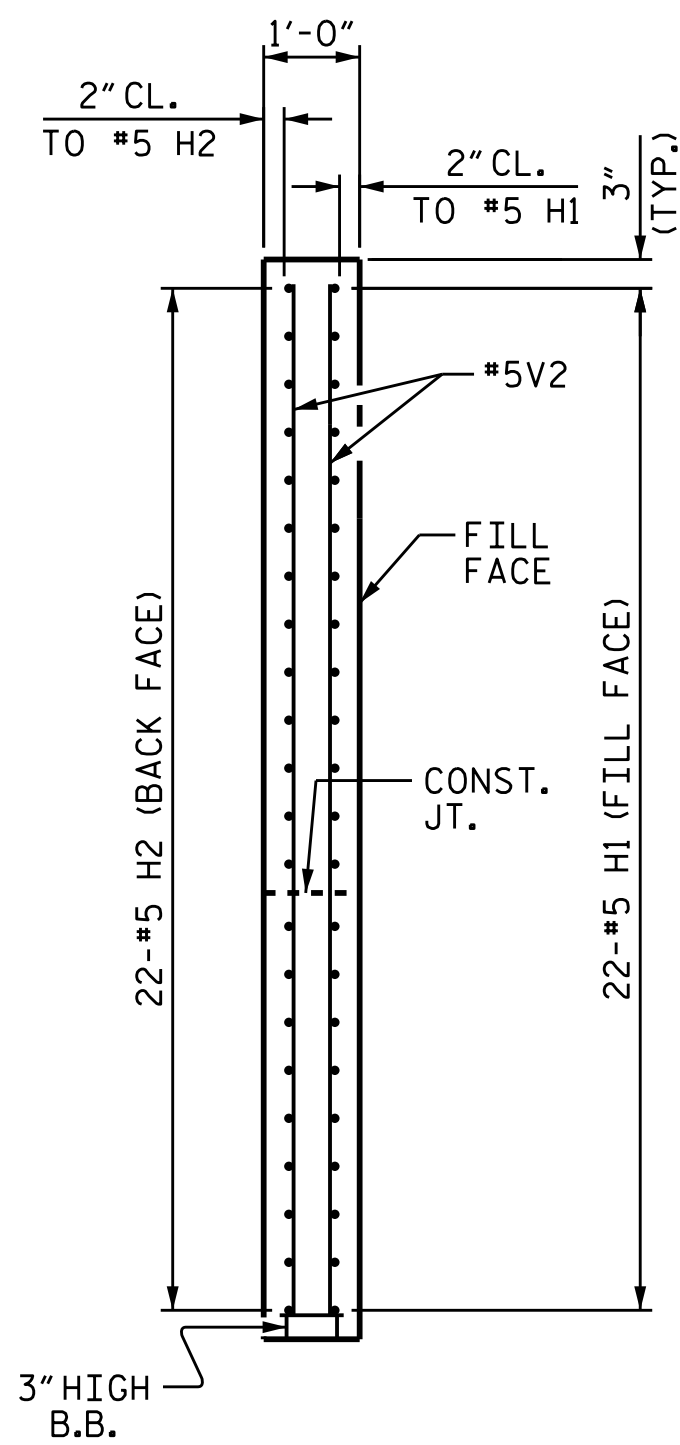
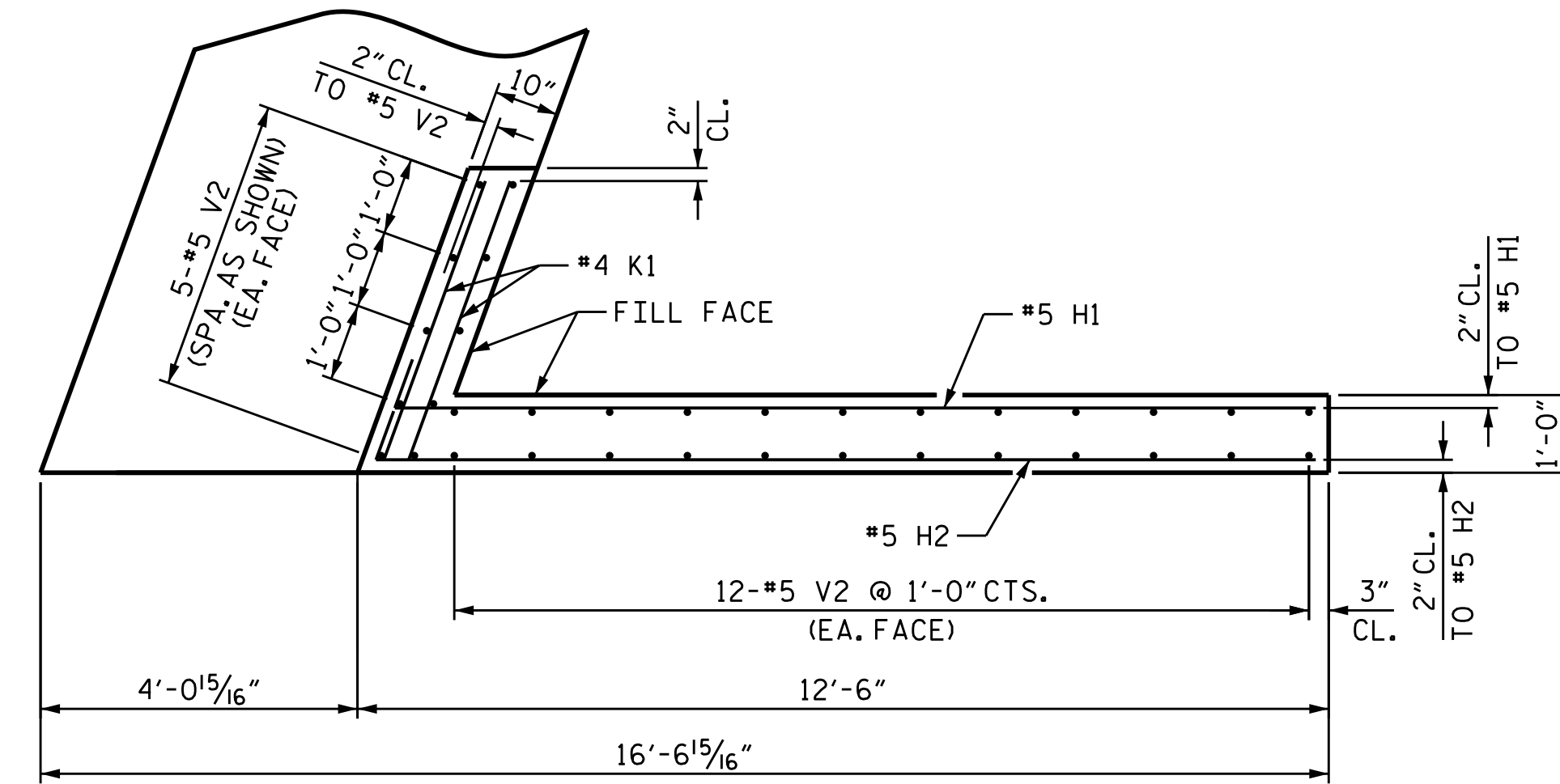


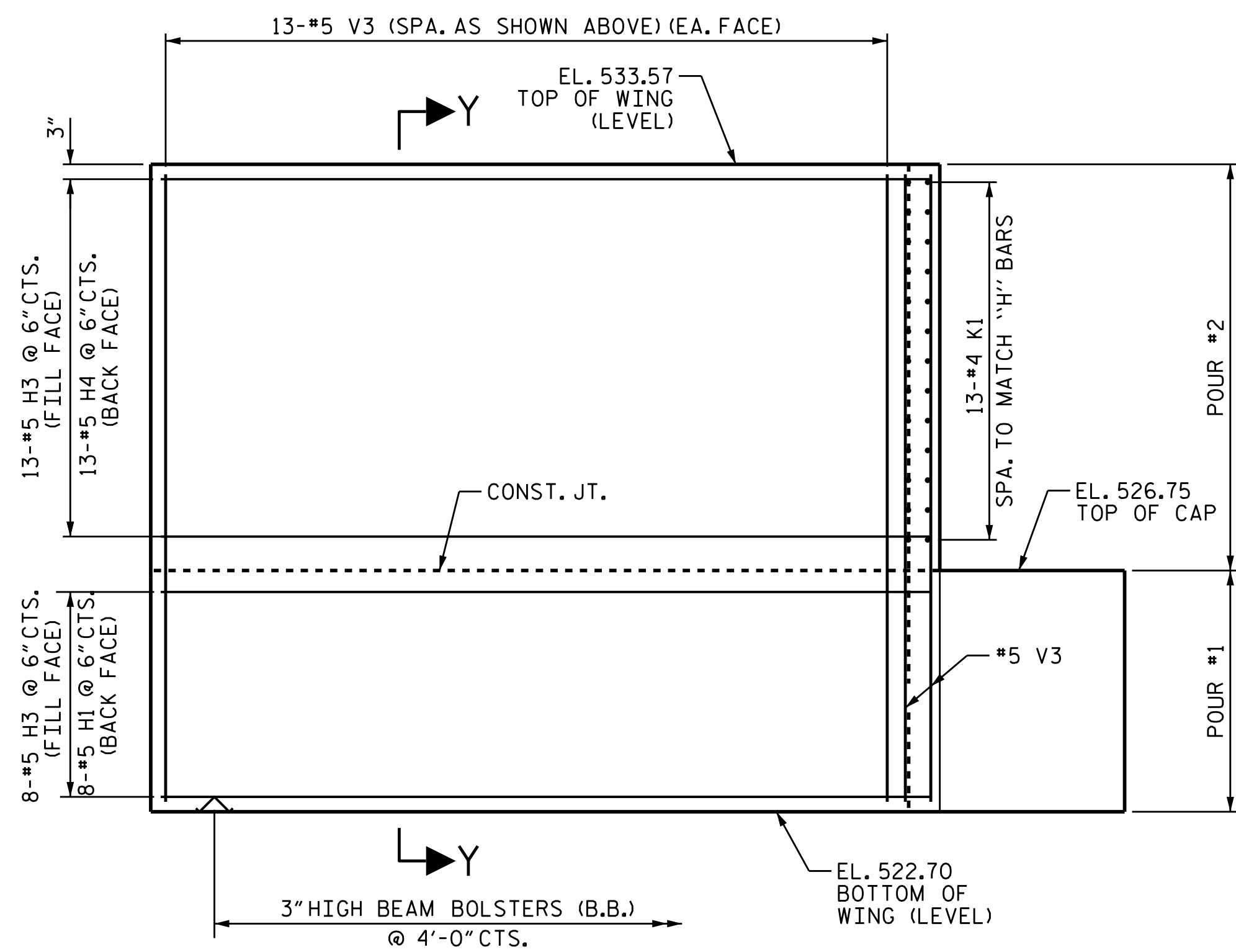
PLAN OF LEFT WING - W1



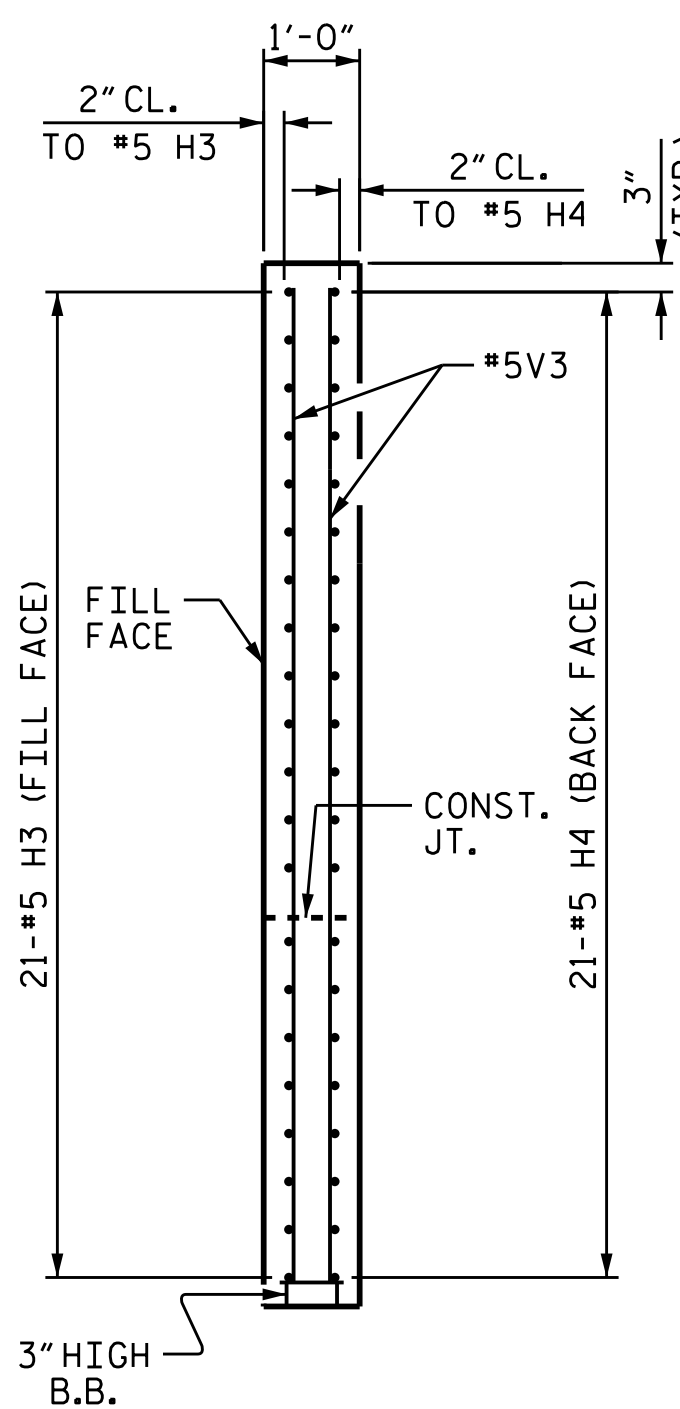
SECTION X-X



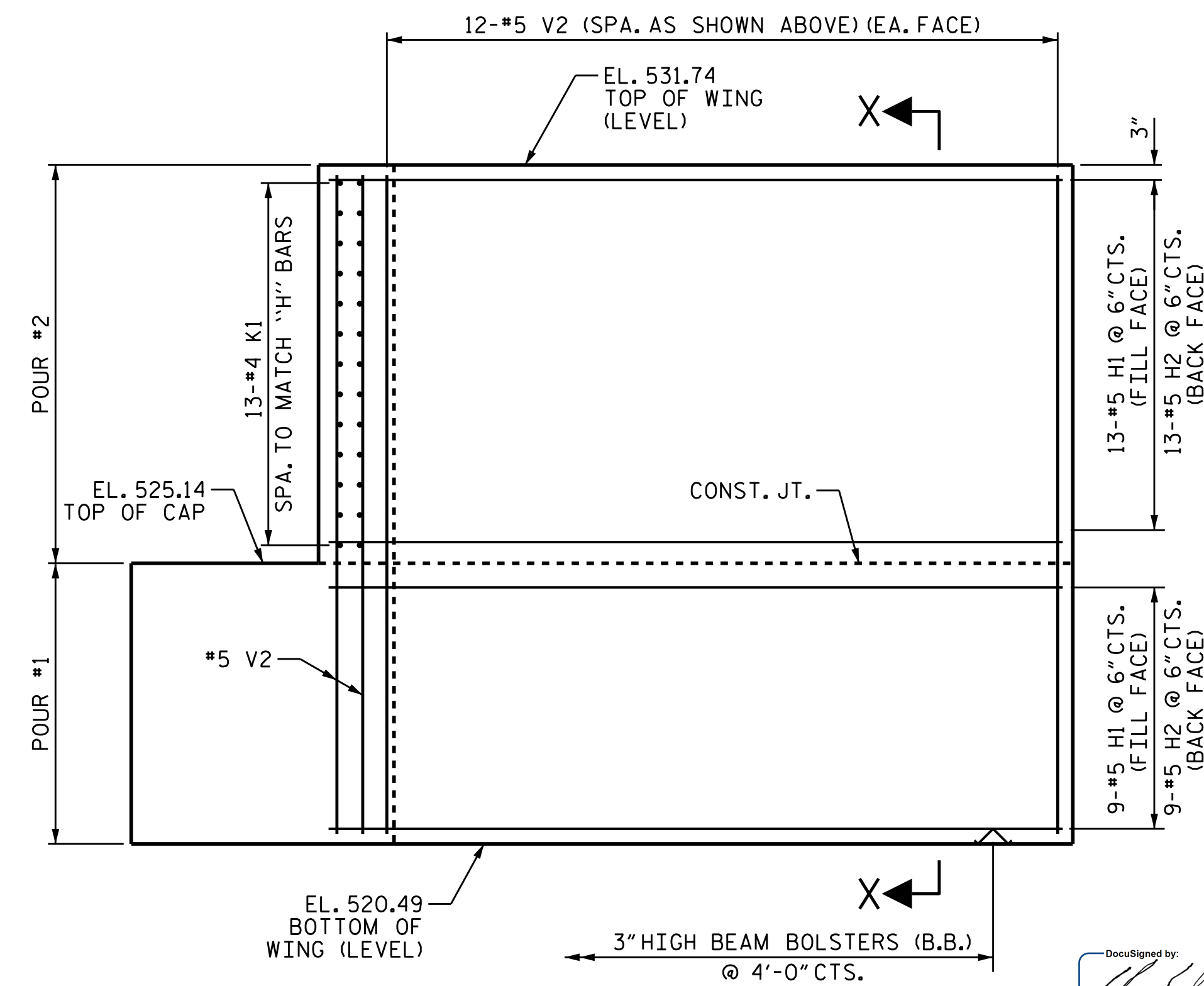
PLAN OF RIGHT WING - W2



ELEVATION OF LEFT WING - W1



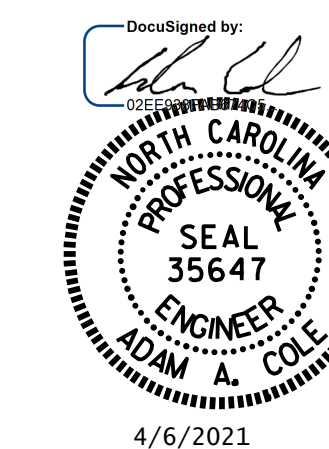
SECTION Y-Y



ELEVATION OF RIGHT WING - W2

PROJECT NO. B-5813  
 CABARRUS COUNTY  
 STATION: 21+85.00 -L-

SHEET 2 OF 3



STATE OF NORTH CAROLINA  
 DEPARTMENT OF TRANSPORTATION  
 RALEIGH

SUBSTRUCTURE  
 INTEGRAL  
 END BENT 2

DRAWN BY: M. G. SHAIKH DATE: 09/2019  
 CHECKED BY: H. A. LOCKLEAR DATE: 09/2018  
 DESIGN ENGINEER OF RECORD: H. A. LOCKLEAR DATE: 08/2018

DOCUMENT NOT CONSIDERED  
 FINAL UNLESS ALL  
 SIGNATURES COMPLETED

REVISIONS						SHEET NO.
NO.	BY:	DATE:	NO.	BY:	DATE:	S-25
1			3			304
2			4			29