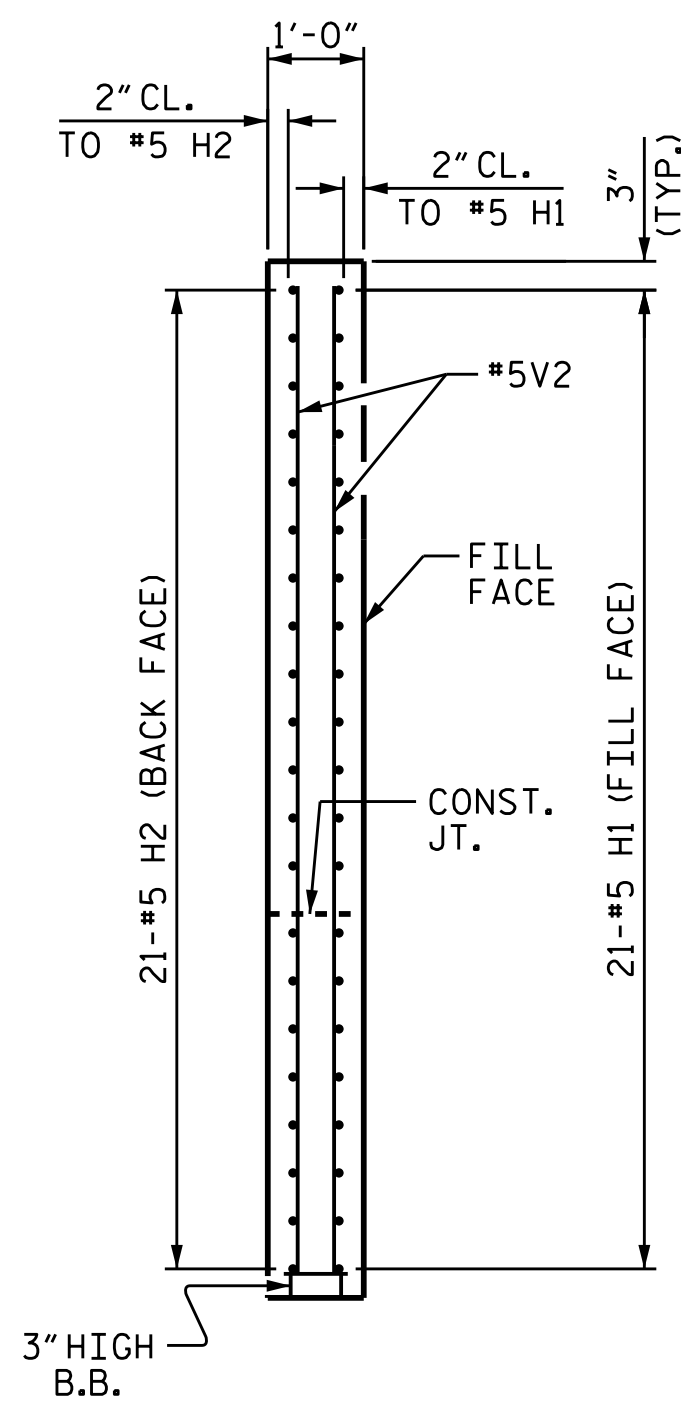
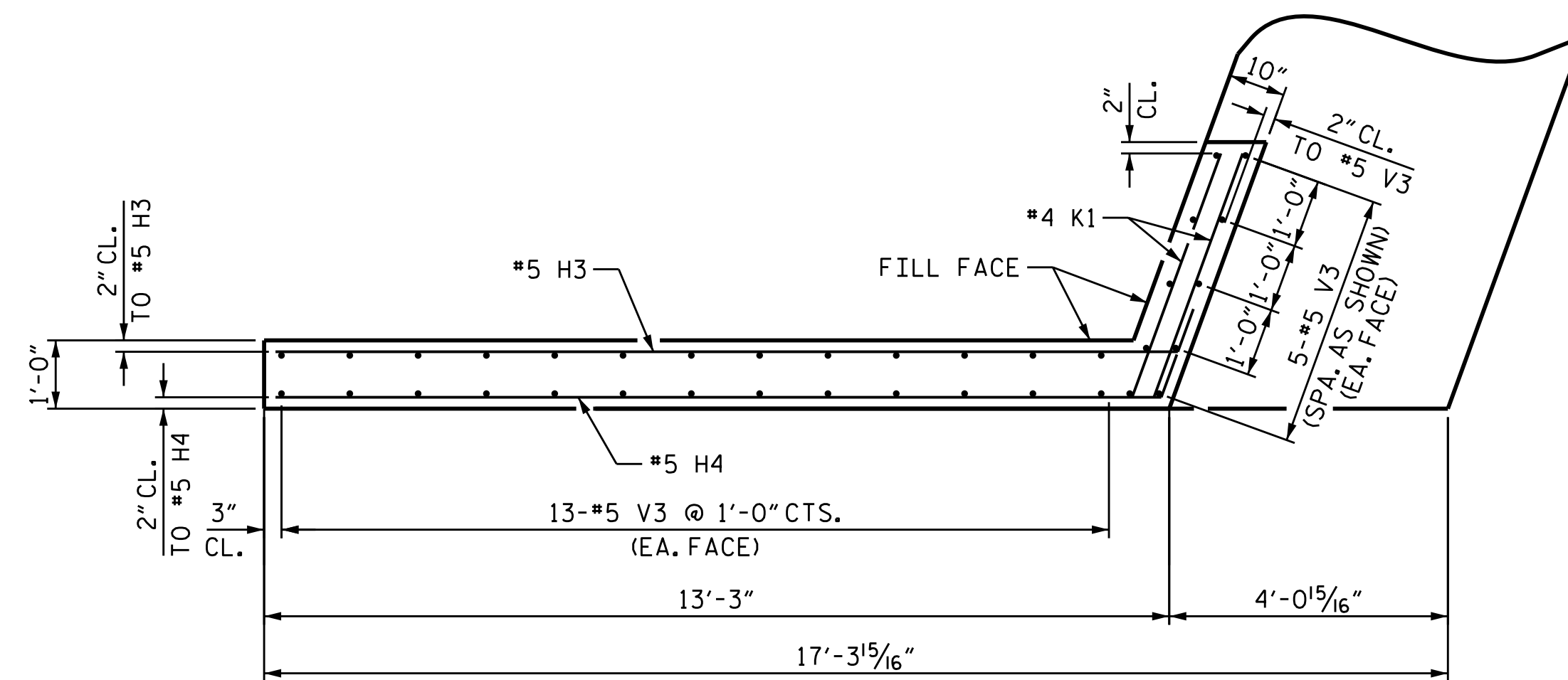


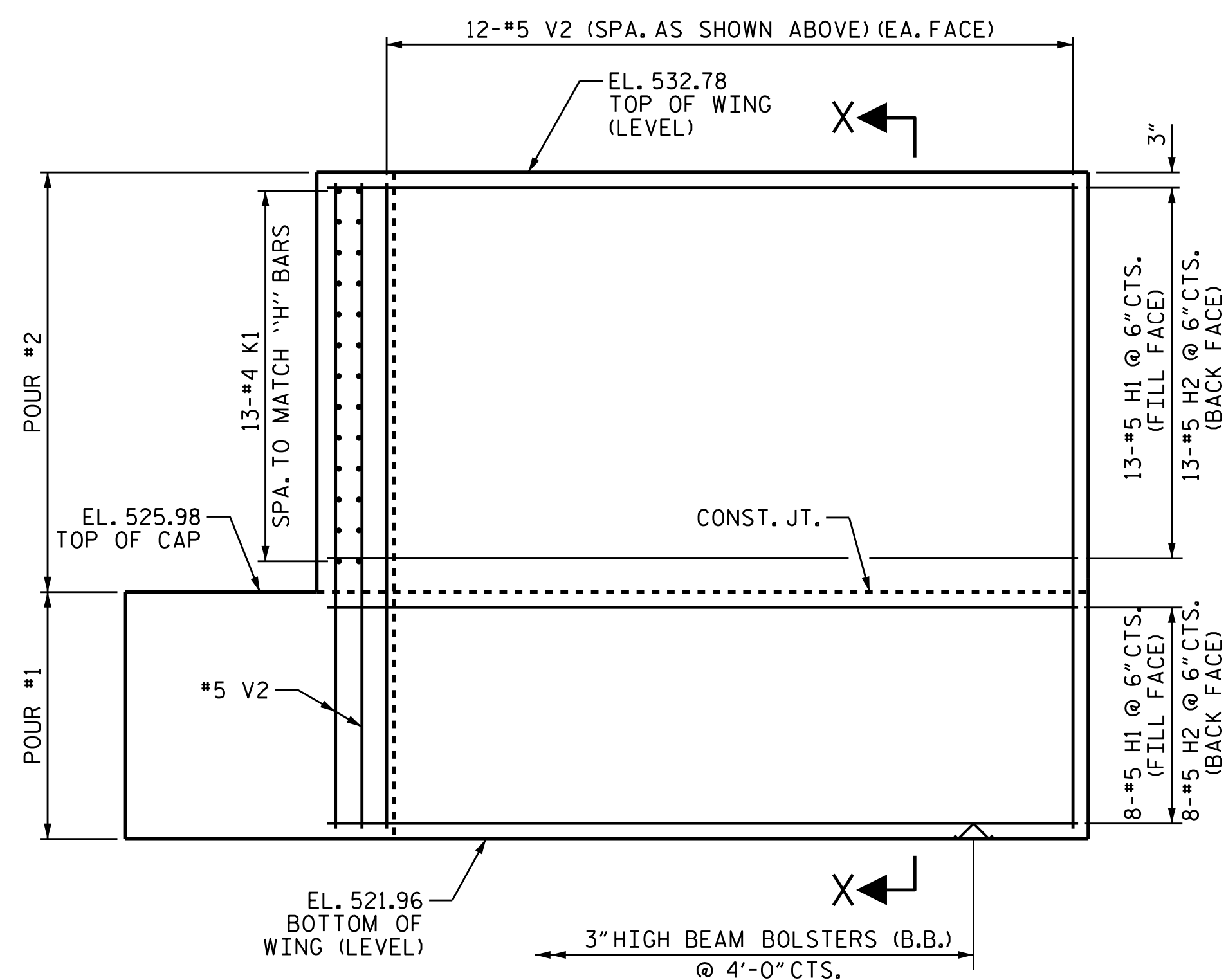
PLAN OF LEFT WING - W1



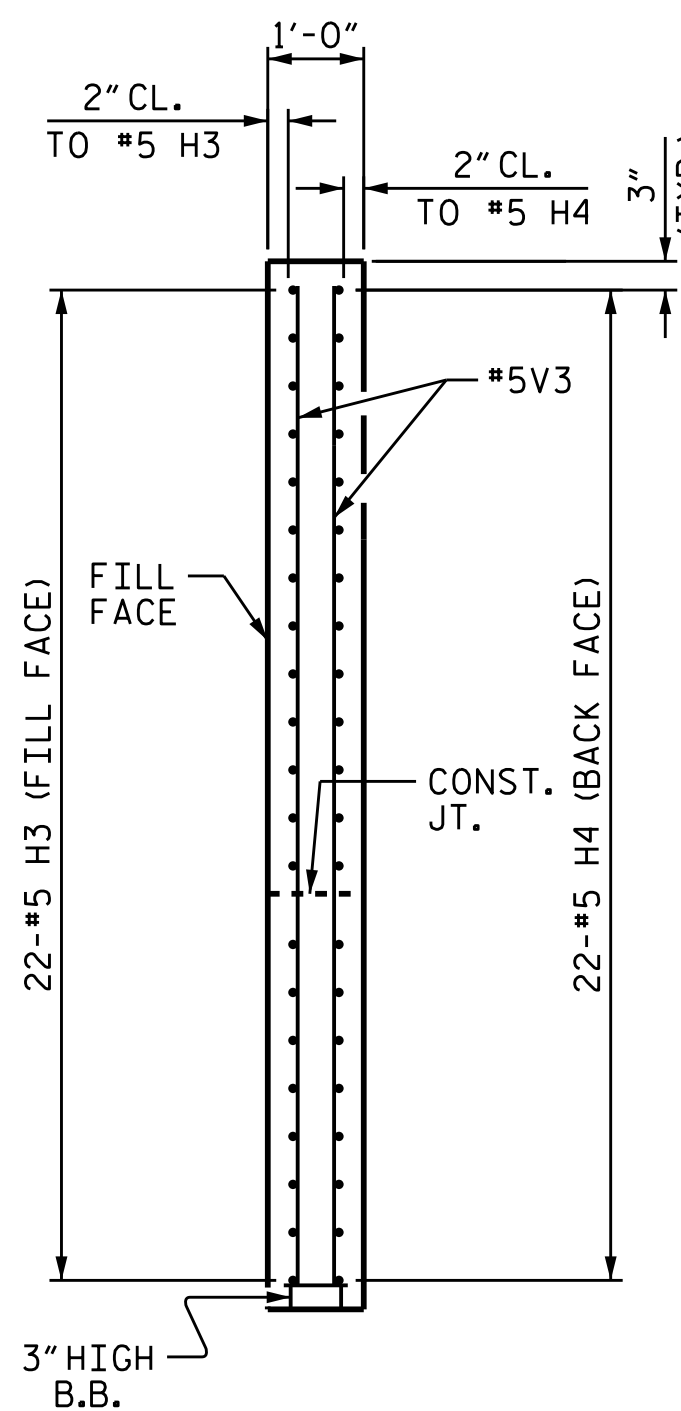
SECTION X-X



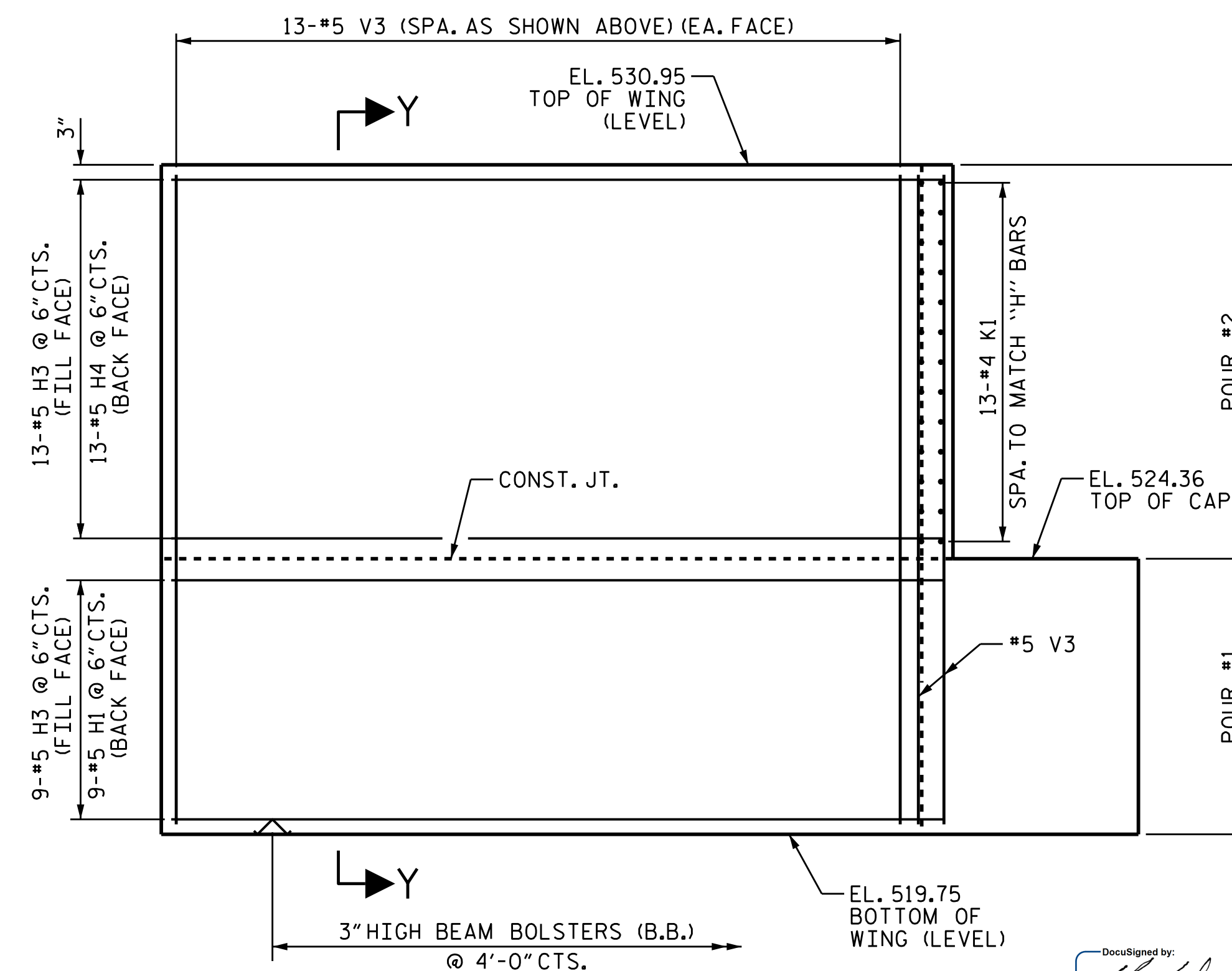
PLAN OF RIGHT WING - W2



ELEVATION OF LEFT WING - W1



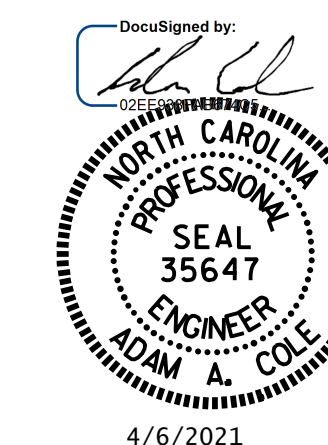
SECTION Y-Y



ELEVATION OF RIGHT WING - W2

PROJECT NO. B-5813
CABARRUS COUNTY
 STATION: 21+85.00 -L-

SHEET 2 OF 3



STATE OF NORTH CAROLINA
 DEPARTMENT OF TRANSPORTATION
 RALEIGH

SUBSTRUCTURE
 INTEGRAL
 END BENT 1

DRAWN BY : M. G. SHAIKH DATE : 09/2019
 CHECKED BY : H. A. LOCKLEAR DATE : 09/2018
 DESIGN ENGINEER OF RECORD: H. A. LOCKLEAR DATE : 08/2018

DOCUMENT NOT CONSIDERED
 FINAL UNLESS ALL
 SIGNATURES COMPLETED

REVISIONS						SHEET NO.
NO.	BY:	DATE:	NO.	BY:	DATE:	S-20
1			3			TOTAL SHEETS
2			4			29