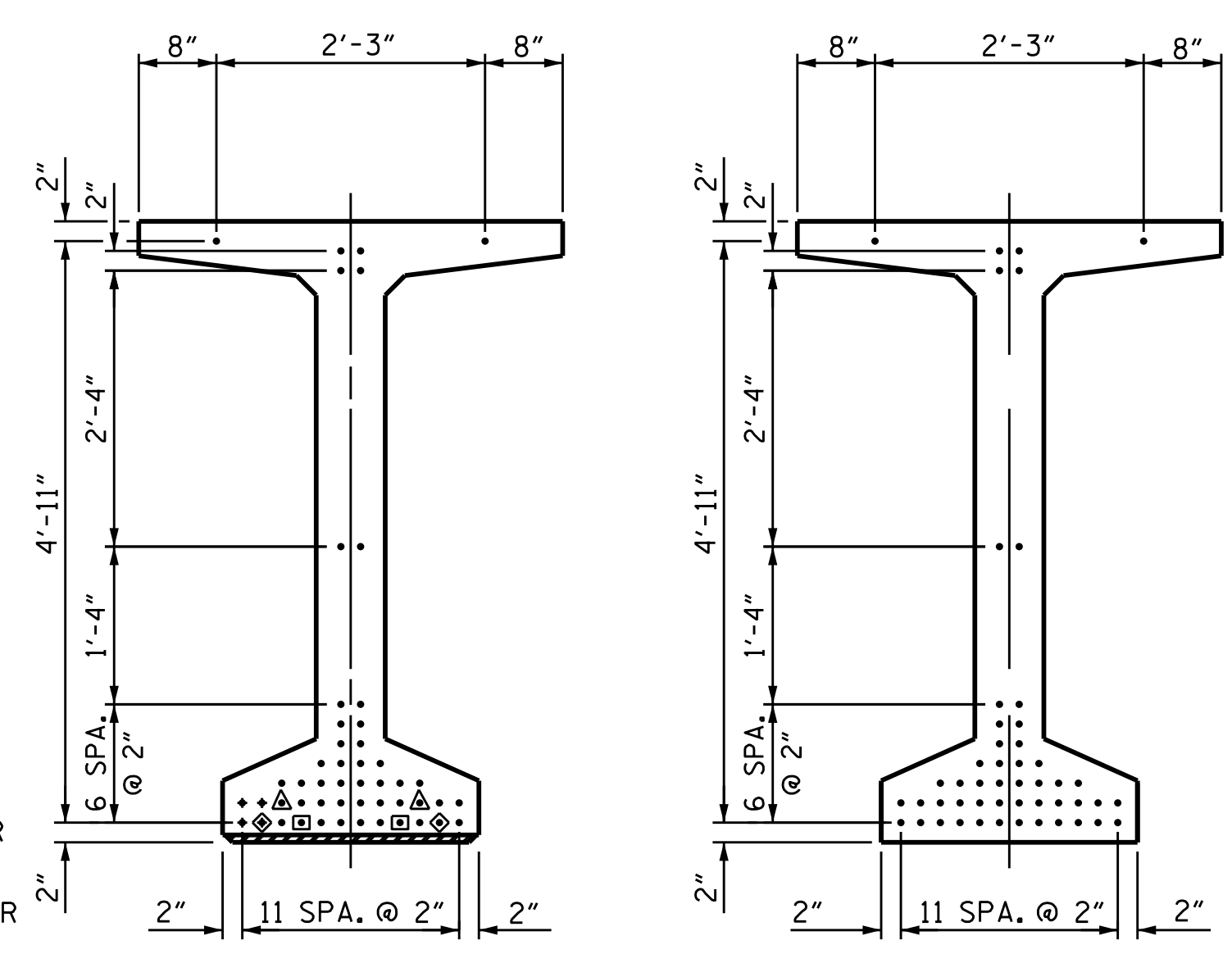


1/2" Ø FORMED HOLE. SEE ELEVATION FOR LOCATION. FOR DIM. "A", "B" & "C", SEE "INTERMEDIATE STEEL DIAPHRAGMS" SHEET.)

- DEBONDING LEGEND**
- FULLY BONDED STRANDS
 - STRANDS DEBONDED FOR 4'-0" FROM END OF GIRDER
 - STRANDS DEBONDED FOR 12'-0" FROM END OF GIRDER
 - STRANDS DEBONDED FOR 20'-0" FROM END OF GIRDER



AT END OF GIRDER AT C OF GIRDER
0.6" Ø LOW RELAXATION STRAND LAYOUT

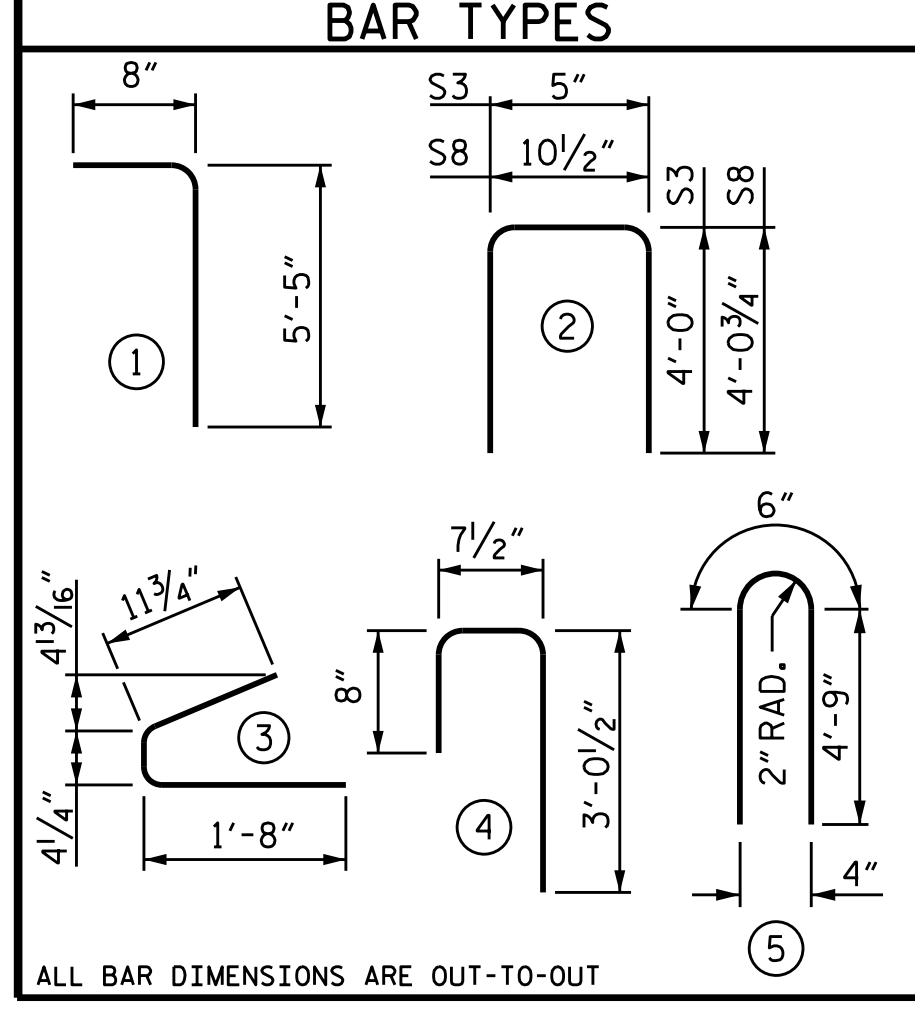
0.6" Ø L. R. GRADE 270 STRANDS

AREA (SQUARE INCHES)	ULTIMATE STRENGTH (LBS. PER STRAND)	APPLIED PRESTRESS (LBS. PER STRAND)
0.217	58,600	43,950

REINFORCING STEEL FOR ONE GDR

BAR	NUMBER	SIZE	TYPE	LENGTH	WEIGHT
S1	252	#4	1	6'-1"	1024
S2	20	#5	1	6'-1"	127
S3	12	#4	2	8'-5"	67
S4	72	#4	3	3'-0"	144
S6	272	#5	4	4'-4"	1229
*S7	30	#5	STR	3'-8"	115
S8	2	#5	2	9'-0"	19
S9	38	#5	STR	3'-3"	129
S10	2	#3	STR	1'-10"	1
S11	8	#5	5	10'-0"	83
S12	16	#4	STR	8'-0"	86
S13	20	#5	STR	5'-5"	113

* NOTE: S7 BARS SHALL BE BENT BEFORE SHIPMENT. HEAT BENDING SHALL NOT BE ALLOWED.

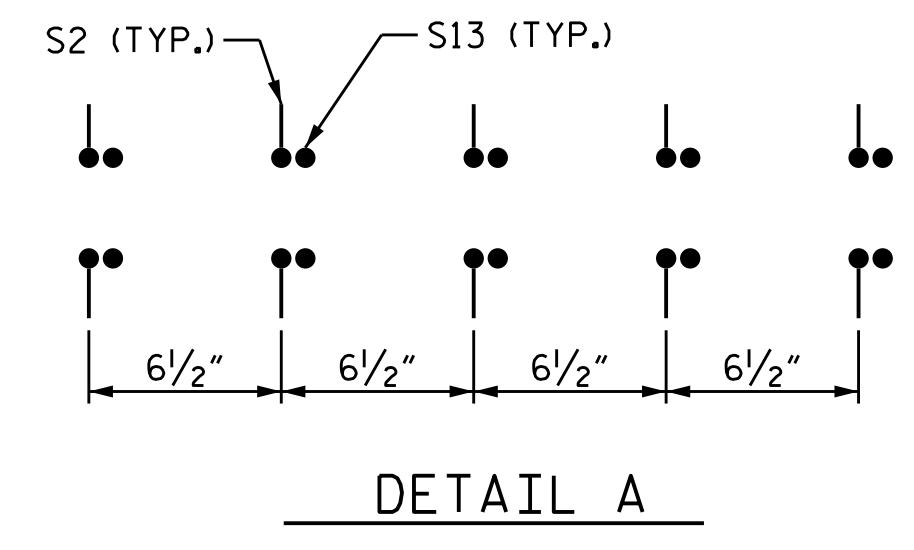
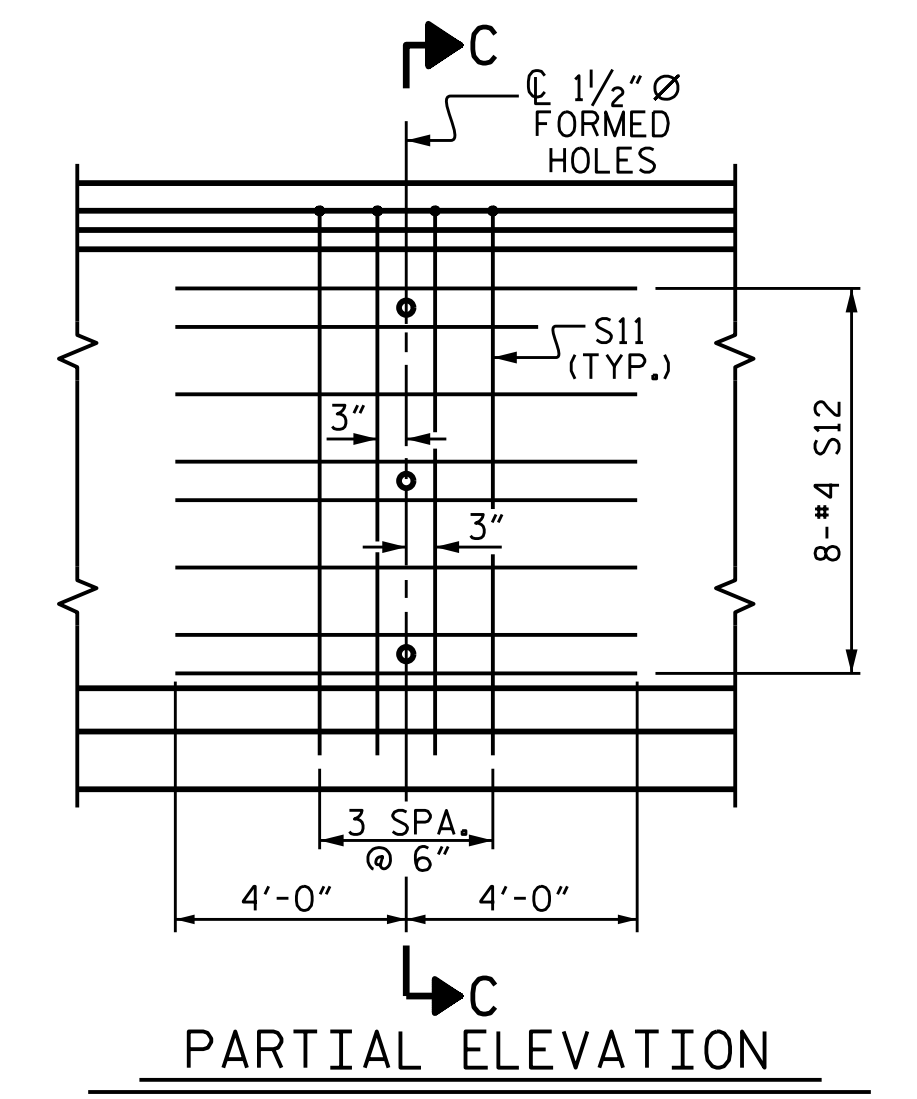
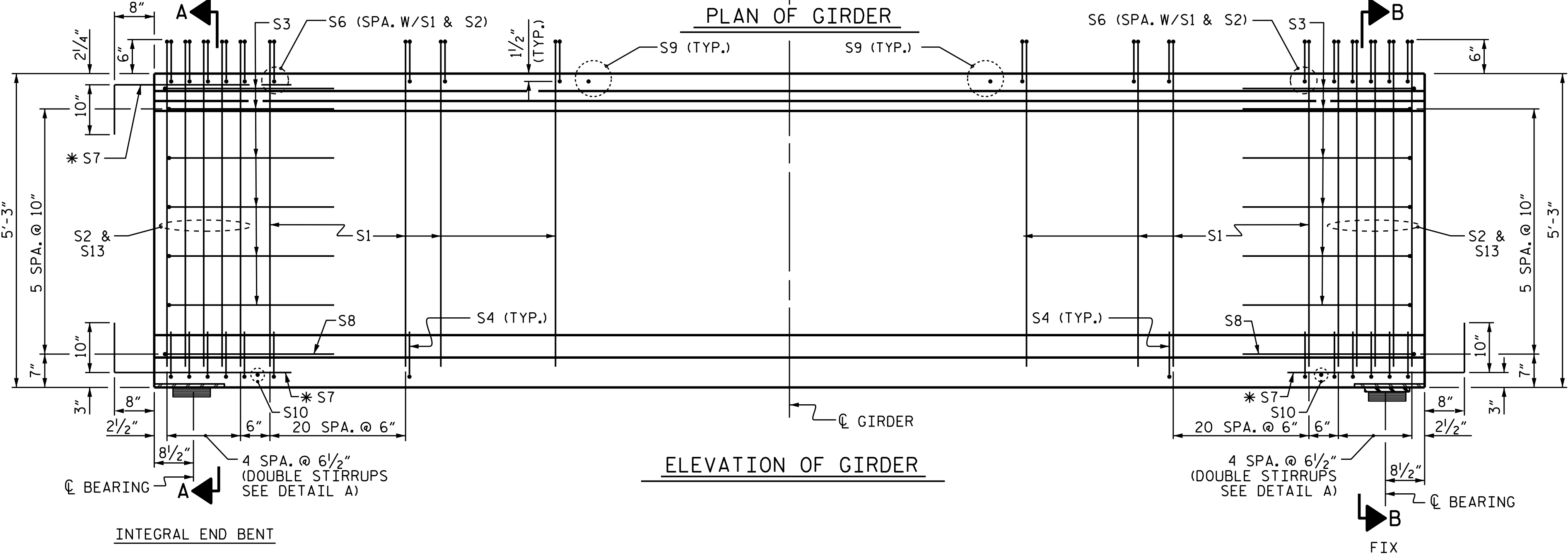
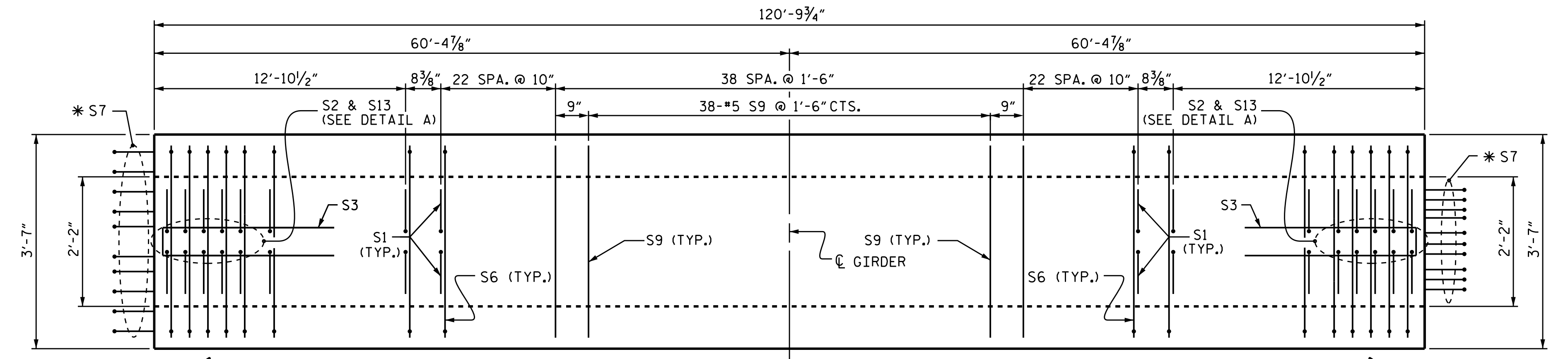


QUANTITIES FOR ONE GIRDER

REINFORCING STEEL	10,000 PSI CONCRETE	0.6" Ø L.R. STRANDS
LB.	C.Y.	No.
3,137	23.9	50

GIRDERS REQUIRED

NUMBER	LENGTH	TOTAL LENGTH
5	120'-9 3/4"	604'-0 3/4"



ASSEMBLED BY : M. G. SHAIKH DATE : 07/2019
 CHECKED BY : H. LOCKLEAR DATE : 08/2019
 DRAWN BY : EEM 2/6/97 REV. 6/13 MAA/GM
 CHECKED BY : VAP 2/6/97 REV. 1/15 MAA/TMG
 REV. 12/17 MAA/THC

DOCUMENT NOT CONSIDERED FINAL UNLESS ALL SIGNATURES COMPLETED

PROJECT NO. B-5813
CABARRUS COUNTY
 STATION: 21+85.00 -L-
 SHEET 2 OF 4

STATE OF NORTH CAROLINA
 DEPARTMENT OF TRANSPORTATION
 RALEIGH

STANDARD
 63" PRESTRESSED CONCRETE
 MODIFIED BULB TEE
 CONTINUOUS FOR LIVE LOAD
 (SPAN B)

REVISIONS						SHEET NO.
NO.	BY:	DATE:	NO.	BY:	DATE:	S-12
1			3			TOTAL SHEETS
2			4			29