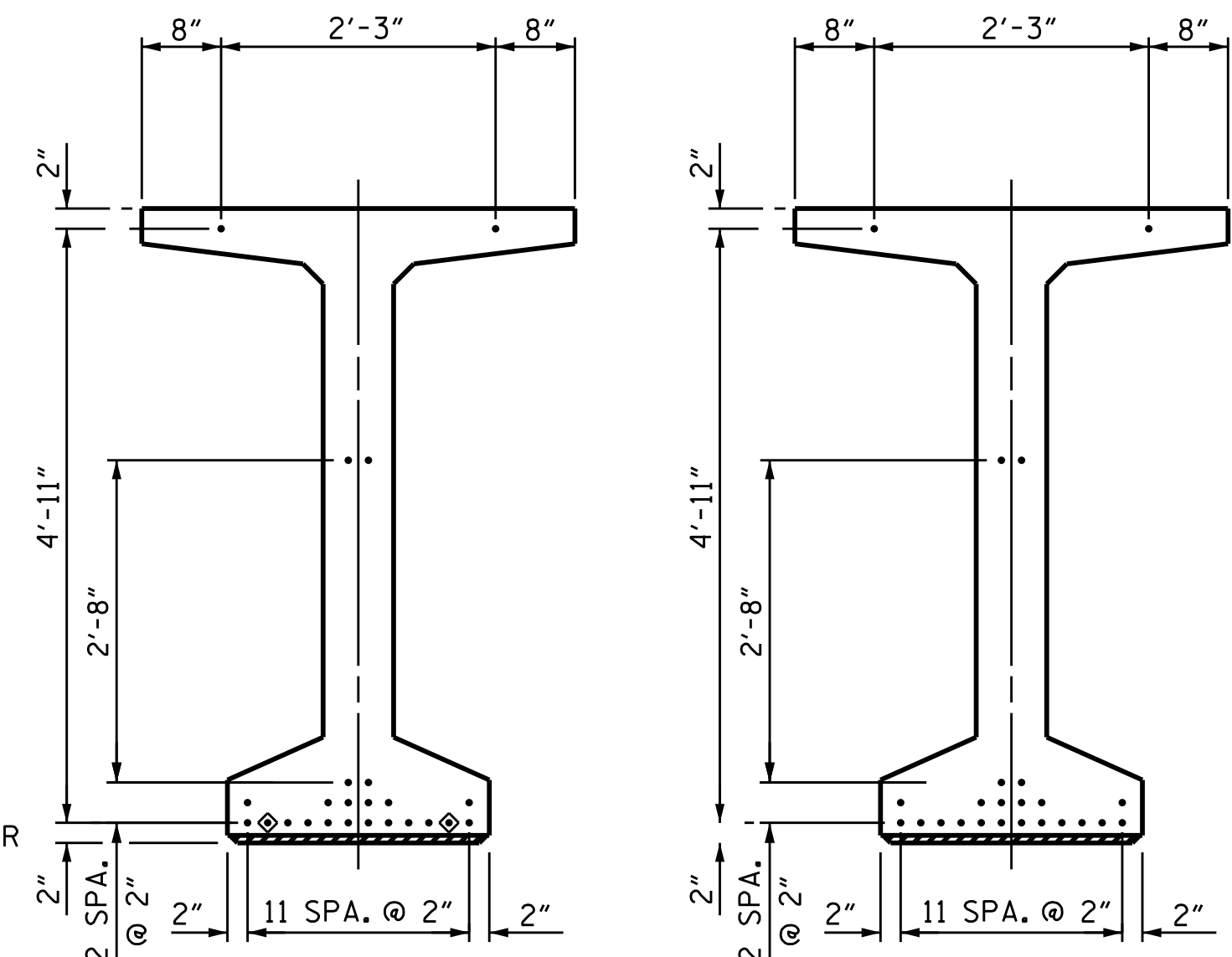


1/2" Ø FORMED HOLE. SEE ELEVATION FOR LOCATION. FOR DIM. "A", "B" & "C", SEE "INTERMEDIATE STEEL DIAPHRAGMS" SHEET.)

**DEBONDING LEGEND**  
 ● FULLY BONDED STRANDS  
 ◆ STRANDS DEBONDED FOR 10'-0" FROM END OF GIRDER

\* FOR S7 BARS, SEE DETAIL "C" OF PRESTRESSED CONCRETE GIRDER CONTINUOUS FOR LIVE LOAD DETAILS SHEET



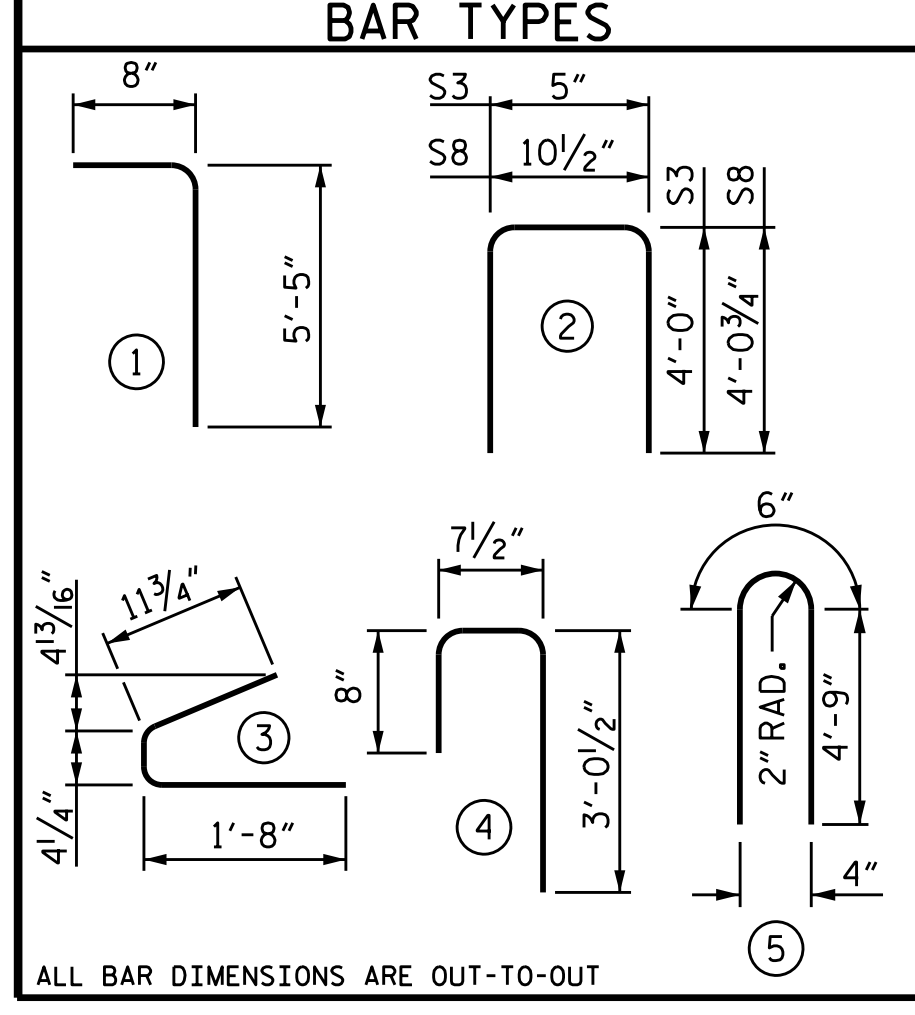
AT END OF GIRDER AT CL OF GIRDER  
 0.6" Ø LOW RELAXATION STRAND LAYOUT

0.6" Ø L. R. GRADE 270 STRANDS		
AREA (SQUARE INCHES)	ULTIMATE STRENGTH (LBS. PER STRAND)	APPLIED PRESTRESS (LBS. PER STRAND)
0.217	58,600	43,950

REINFORCING STEEL FOR ONE GIRDER					
BAR	NUMBER	SIZE	TYPE	LENGTH	WEIGHT
S1	154	#4	1	6'-1"	626
S2	24	#5	1	6'-1"	152
S3	12	#4	2	8'-5"	67
S4	72	#4	3	3'-0"	144
S6	178	#5	4	4'-4"	804
*S7	30	#5	STR	3'-8"	115
S8	2	#5	2	9'-0"	19
S9	15	#5	STR	3'-3"	51
S10	2	#3	STR	1'-10"	1
S11	4	#5	5	10'-0"	42
S12	8	#4	STR	8'-0"	43

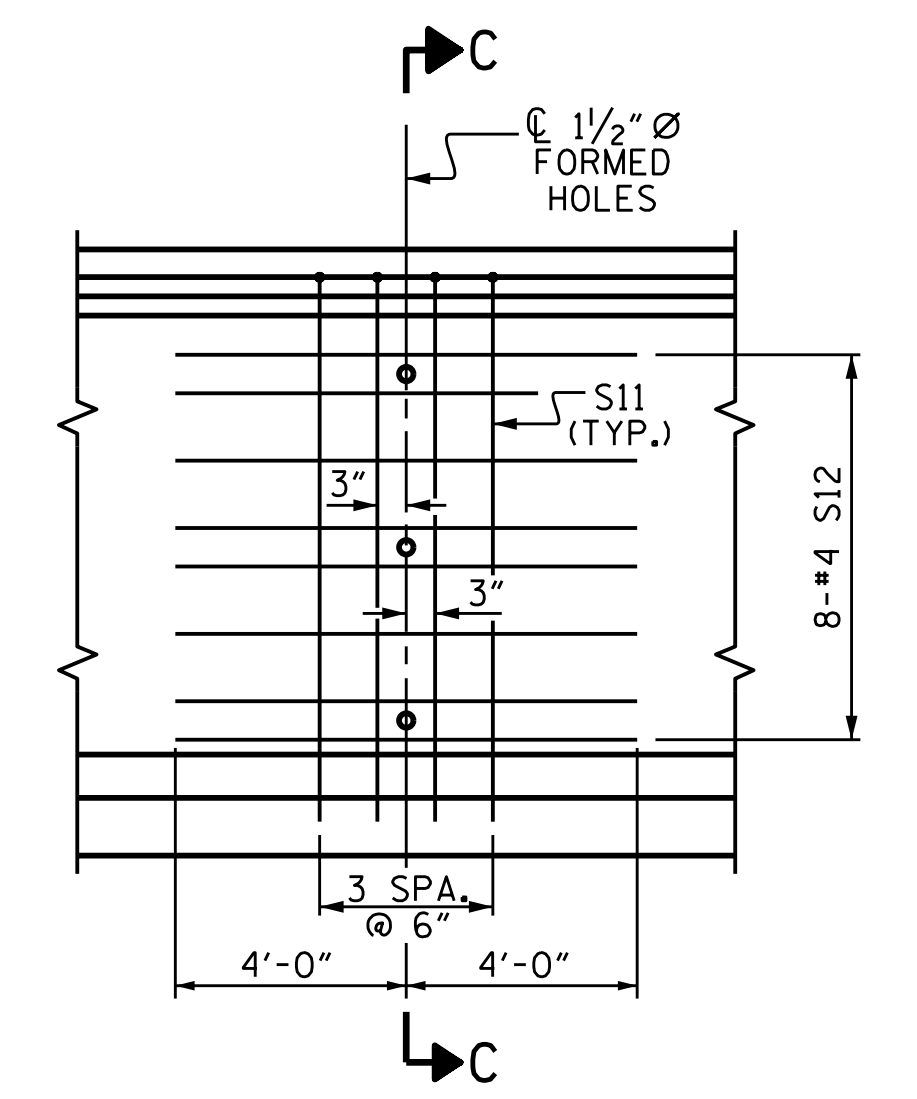
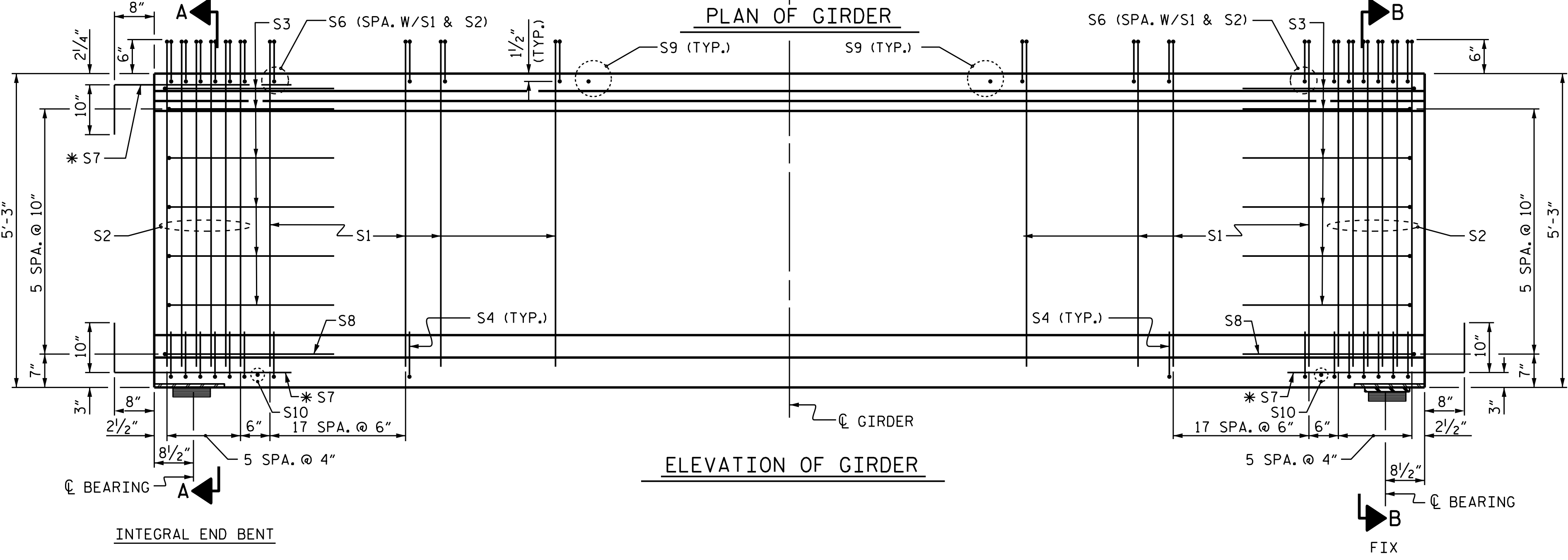
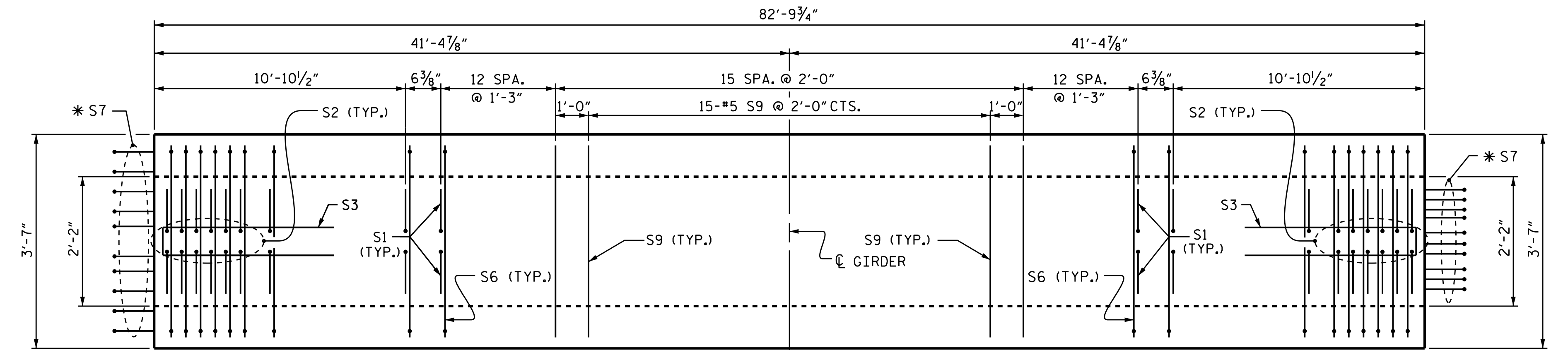
\* NOTE: S7 BARS SHALL BE BENT BEFORE SHIPMENT. HEAT BENDING SHALL NOT BE ALLOWED.



QUANTITIES FOR ONE GIRDER		
REINFORCING STEEL	5,500 PSI CONCRETE	0.6" Ø L.R. STRANDS
LB.	C.Y.	No.
2,064	16.4	24

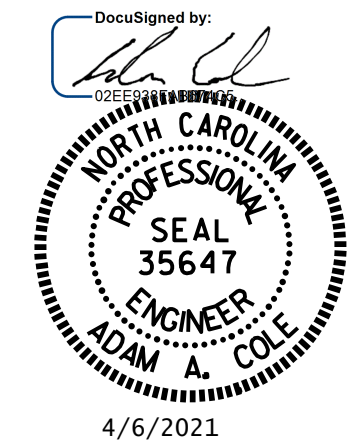
GIRDERS REQUIRED		
NUMBER	LENGTH	TOTAL LENGTH
5	82'-9 3/4"	414'-0 3/4"



PARTIAL ELEVATION  
 SHOWING INTERMEDIATE STEEL DIAPHRAGM REINFORCING STEEL FOR GIRDER Nos. (FOR ALL EXTERIOR GIRDERS AND INTERIOR GIRDERS WITH 70° ≤ SKEW ≤ 110°)

ASSEMBLED BY : M. G. SHAIKH	DATE : 07/2019
CHECKED BY : H. LOCKLEAR	DATE : 08/2019
DRAWN BY : EEM 2/6/97	REV. 6/13 MAA/TMG
CHECKED BY : VAP 2/6/97	REV. 12/17 MAA/THC

DOCUMENT NOT CONSIDERED FINAL UNLESS ALL SIGNATURES COMPLETED



PROJECT NO. B-5813  
CABARRUS COUNTY  
 STATION: 21+85.00 -L-

SHEET 1 OF 4

STATE OF NORTH CAROLINA  
 DEPARTMENT OF TRANSPORTATION  
 RALEIGH

STANDARD  
 63" PRESTRESSED CONCRETE  
 MODIFIED BULB TEE  
 CONTINUOUS FOR LIVE LOAD  
 (SPAN A)

REVISIONS						SHEET NO.
NO.	BY:	DATE:	NO.	BY:	DATE:	S-11
1			3			TOTAL SHEETS
2			4			29