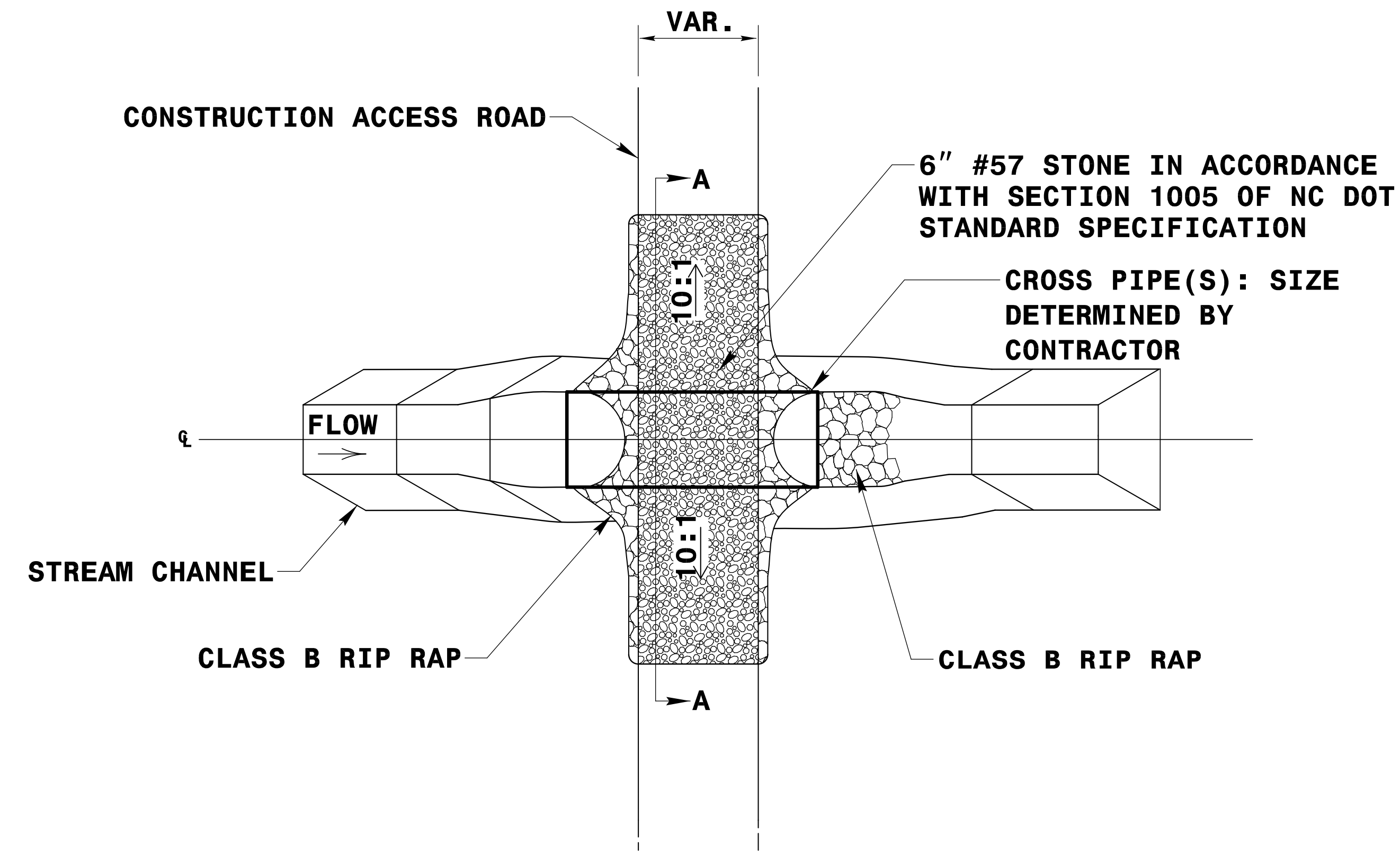
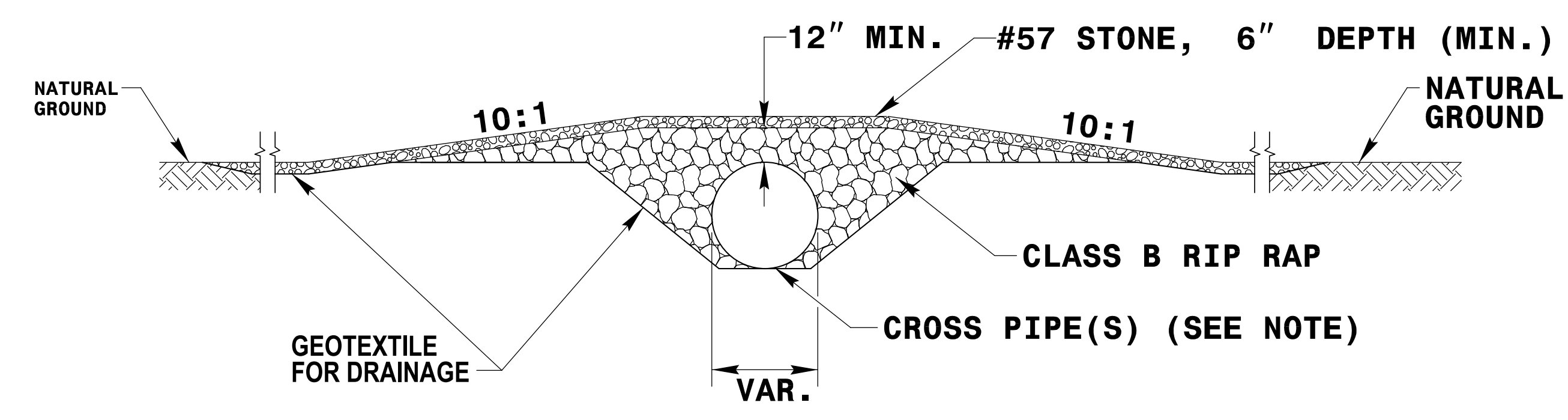


PROJECT REFERENCE NO. <i>B-5813</i>	SHEET NO. <i>EC-2A</i>
RW SHEET NO.	
ROADWAY DESIGN ENGINEER	HYDRAULICS ENGINEER



**PLAN VIEW**



**SECTION A-A**  
NOT TO SCALE

**NOTE:** PIPE(S) FOR TEMPORARY STREAM CROSSING SHALL BE DESIGNED TO PASS THE PEAK OR BANKFULL FLOW, WHICHEVER IS LESS, FROM A 2-YEAR PEAK STORM, WITHOUT OVER TOPPING.

# TEMPORARY STREAM CROSSING - NCDOT STD 1645 01