

-SYSTEM: B-5624.TMP\_PN01.dgn  
DATE: 8/26/2021 11:58:00 AM

**CONTRACT: TIP PROJECT: B-5624**

**STATE OF NORTH CAROLINA  
DEPARTMENT OF TRANSPORTATION**

**PAVEMENT MARKING PLAN  
BRUNSWICK COUNTY**

**LOCATION: REPLACE BRIDGE NO. 57 OVER DRIVING CREEK  
ON NC 211 (GREEN SWAMP ROAD NW)**

<small>TIP NO.</small> B-5624	<small>SHEET NO.</small> PMP-1
<small>APPROVED:</small> <small>0000FFA0FD0A0D</small>	
<small>DATE:</small> 8/26/2021	
<b>DOCUMENT NOT CONSIDERED FINAL UNLESS ALL SIGNATURES COMPLETED</b>	
<small>CDM Smith Inc. 5400 Glenwood Avenue Suite 400 Raleigh, NC 27612-3228 NC COA No. F-1255</small>	

**ROADWAY STANDARD DRAWING**

THE FOLLOWING ROADWAY STANDARDS AS APPEAR IN "ROADWAY STANDARD DRAWINGS" - PROJECT SERVICES UNIT - N.C. DEPARTMENT OF TRANSPORTATION - RALEIGH, N.C., DATED JANUARY 2018 ARE APPLICABLE TO THIS PROJECT AND BY REFERENCE HEREBY ARE CONSIDERED A PART OF THESE PLANS:

<u>STD. NO.</u>	<u>TITLE</u>
1205.01	PAVEMENT MARKINGS - LINE TYPES AND OFFSETS
1205.02	PAVEMENT MARKINGS - TWO-LANE AND MULTILANE ROADWAYS
1205.12	PAVEMENT MARKINGS - BRIDGES
1250.01	RAISED PAVEMENT MARKERS - INSTALLATION SPACING
1251.01	RAISED PAVEMENT MARKERS - PERMANENT AND TEMPORARY
1253.01	RAISED PAVEMENT MARKERS - SNOWPLOWABLE
1261.01	GUARDRAIL AND BARRIER DELINEATORS - INSTALLATION SPACING
1261.02	GUARDRAIL AND BARRIER DELINEATORS - TYPES AND MOUNTING
1262.01	GUARDRAIL END DELINEATION

**GENERAL NOTES**

THE FOLLOWING GENERAL NOTES APPLY AT ALL TIMES FOR THE DURATION OF THE CONSTRUCTION PROJECT, EXCEPT WHEN OTHERWISE NOTED IN THE PLAN, OR DIRECTED BY THE ENGINEER.

A) INSTALL PAVEMENT MARKINGS AND PAVEMENT MARKERS ON THE FINAL SURFACE AS FOLLOWS:

<u>ROAD NAME</u>	<u>MARKING</u>	<u>MARKER</u>
NC 211 -L-	THERMOPLASTIC	SNOWPLOWABLE
NC 211 -L-(BRIDGE)	POLYUREA	PERMANENT RAISED

B) TIE PROPOSED PAVEMENT MARKING LINES TO EXISTING PAVEMENT MARKING LINES.

C) REMOVE/REPLACE ANY CONFLICTING/DAMAGED PAVEMENT MARKINGS AND MARKERS.

D) PASSING ZONES WILL BE DETERMINED IN THE FIELD AND MUST BE APPROVED BY THE ENGINEER.

E) REMOVE ALL RESIDUE AND SURFACE LAITANCE BY ACCEPTABLE METHODS ON CONCRETE BRIDGE DECKS PRIOR TO PLACING POLYUREA PAVEMENT MARKING MATERIAL.

**SUMMARY OF QUANTITIES**

ITEM NO.	ITEM DESCRIPTION		QUANTITY	UNIT
DESC. NO.	SECT. NO.			
4685000000-E	1205	THERMOPLASTIC PAVEMENT MARKING LINES (4", 90 MILS)	5,272	L.F.
4847010000-E	1205	POLYUREA PAVEMENT MARKING LINES (4", 20 MILS)	340	L.F.
4900000000-N	1251	PERMANENT RAISED PAVEMENT MARKERS	1	EA.
4895000000-N	SP	NON-CAST IRON SNOWPLOWABLE PAVEMENT MARKERS	16	EA.

**INDEX**

<u>SHEET NO.</u>	<u>DESCRIPTION</u>
PMP-1	PAVEMENT MARKING PLAN TITLE SHEET
PMP-2	PAVEMENT MARKING DETAIL

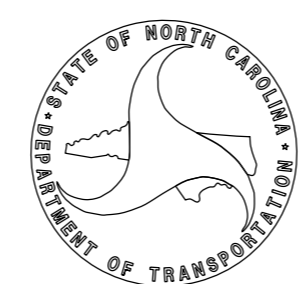
PLAN PREPARED BY: CDM SMITH, INC.

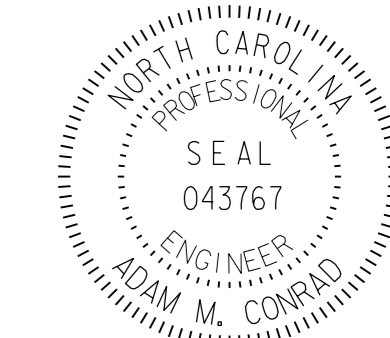
ADAM M. CONRAD, P. E. PROJECT MANAGER  
MONIQUE GYANT, E.I. PROJECT DESIGN ENGINEER

CDM Smith Inc.  
5400 Glenwood Avenue  
Suite 400  
Raleigh, NC 27612-3228  
NC COA No. F-1255

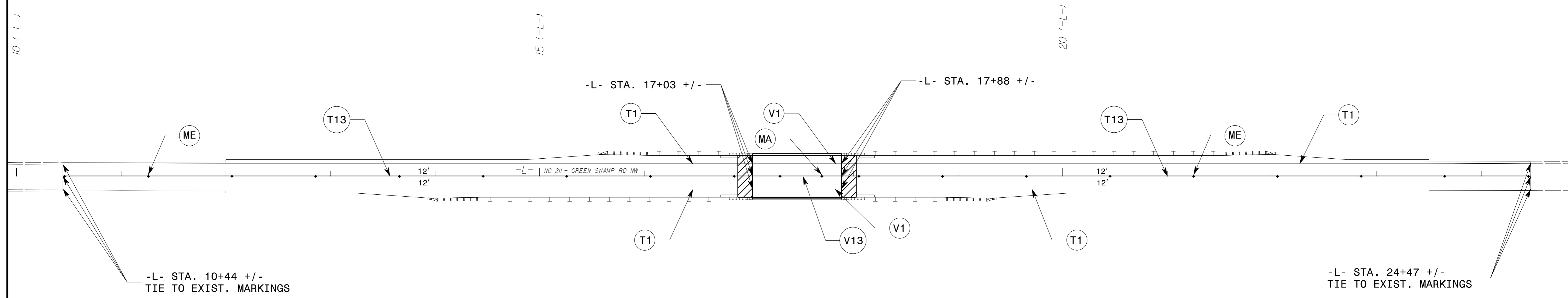
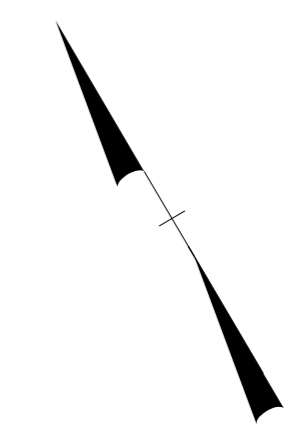
PLAN REVIEWED BY: N.C.D.O.T. DIVISION 3

JESSI LEONARD, P.E. DIVISION TRAFFIC ENGINEER  
ANTHONY W. LAW DIVISION CONSTRUCTION ENGINEER



TIP NO. B-5624	SHEET NO. PMP-2
APPROVED: <i>Adam M. Conrad, P.E., PMP</i>	
DATE: 6/7/2021	
	
<b>DOCUMENT NOT CONSIDERED FINAL UNLESS ALL SIGNATURES COMPLETED</b>	
<b>CDM Smith</b> <small>CDM Smith Inc. 5400 Glenwood Avenue Suite 400 Raleigh, NC 27612-3228 NC COA No. F-1255</small>	

<b>PAVEMENT MARKING SCHEDULE</b>	
SYMBOL	DESCRIPTION
THERMO (4", 90 MILS)	
T1	WHITE EDGELINE
T13	YELLOW DOUBLE CENTER
POLYUREA (4", 20 MILS)	
V1	WHITE EDGELINE
V13	YELLOW DOUBLE CENTER
PERMANENT RAISED PAVEMENT MARKERS	
MA	YELLOW & YELLOW
SNOWPLOWABLE PAVEMENT MARKERS	
ME	YELLOW & YELLOW



-SYSTEM: B5624\_TMP\_PMP02.dgn  
 USER: B055011A

**PAVEMENT MARKING DETAIL**