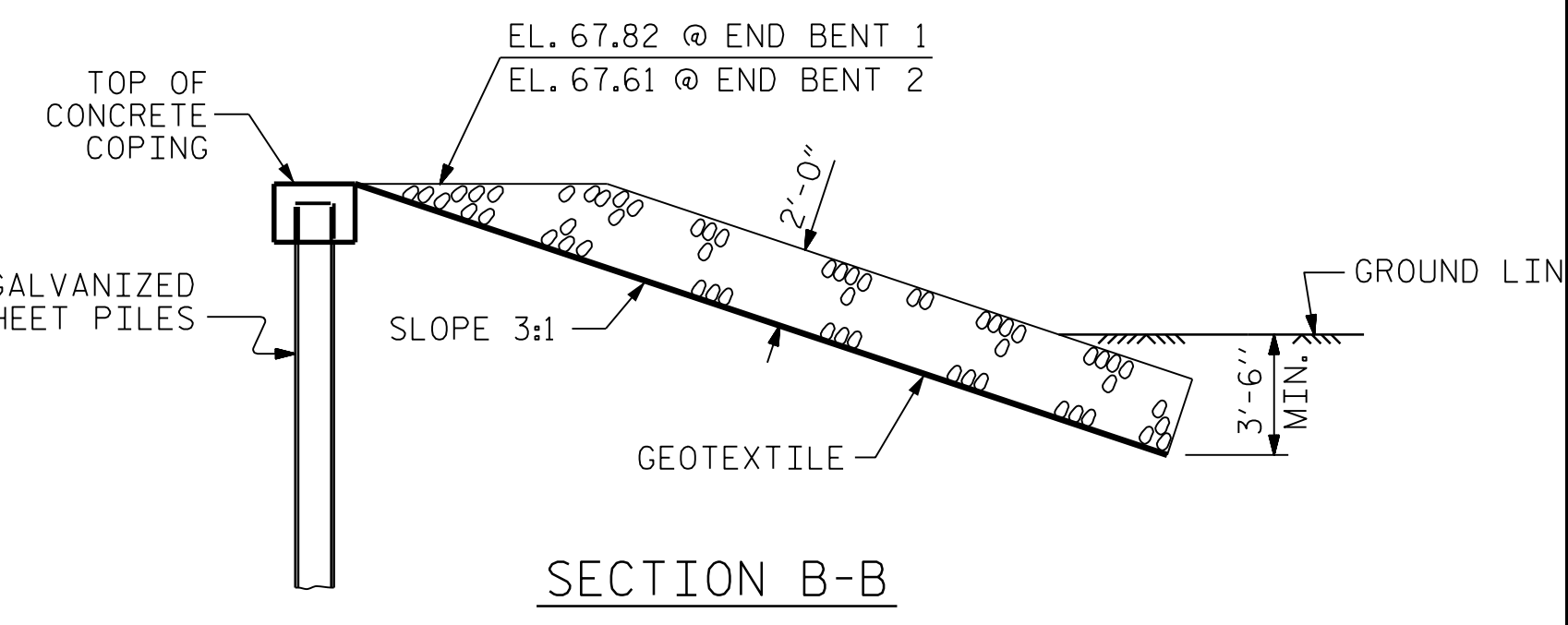
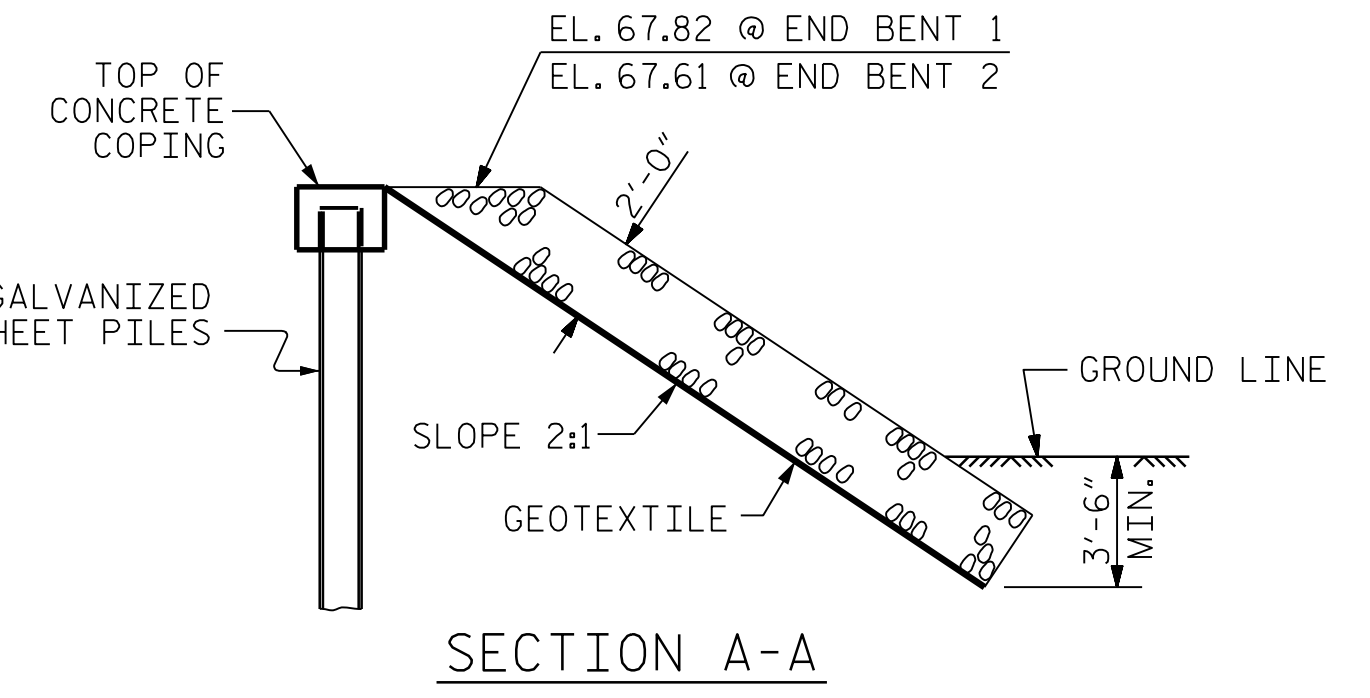
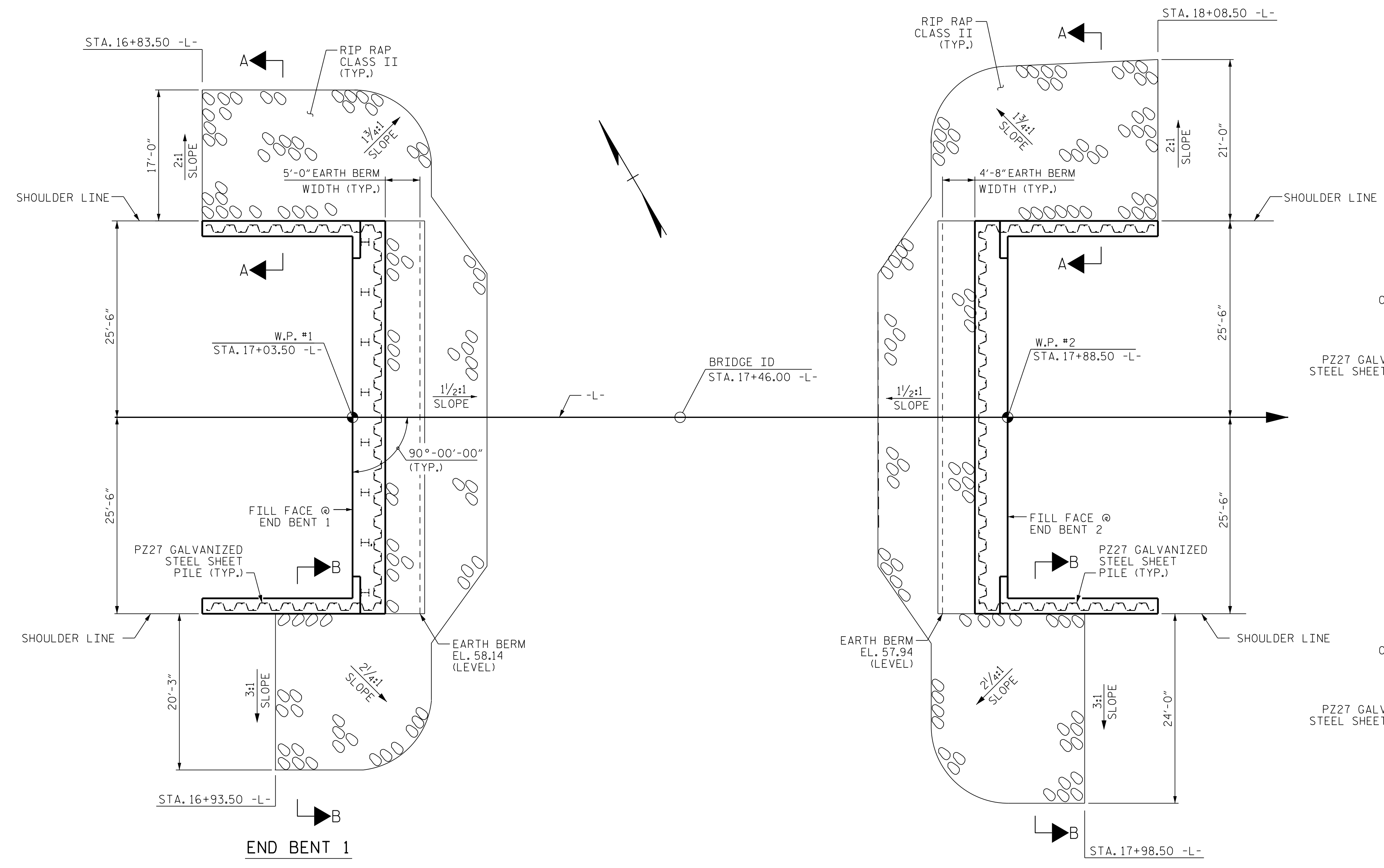


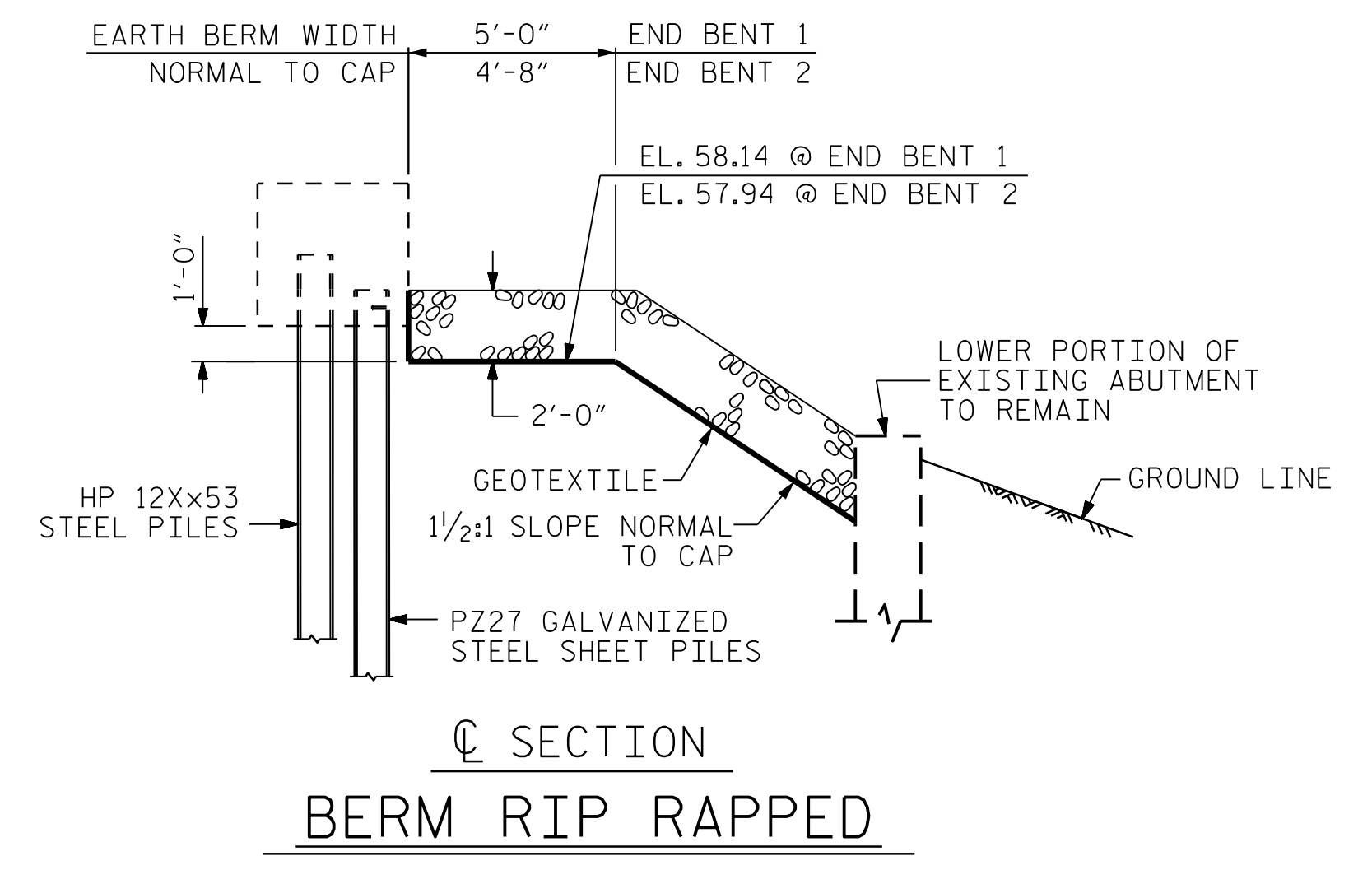
ESTIMATED QUANTITIES		
BRIDGE @ STA. 17+46.00 -L-	RIP RAP CLASS II	GEOTEXTILE FOR DRAINAGE
	TONS	SQUARE YARDS
END BENT 1	152	169
END BENT 2	168	187
TOTAL	320	358



PLAN

END BENT 2

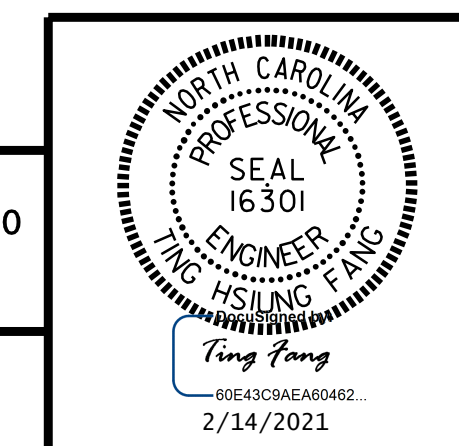
END BENT 1



SECTION C-C
BERM RIP RAPPED

PROJECT NO. B-5624
BRUNSWICK COUNTY
 STATION: 17+46.00 -L-

STATE OF NORTH CAROLINA DEPARTMENT OF TRANSPORTATION RALEIGH					
STANDARD					
RIP RAP DETAILS					
REVISIONS					
NO.	BY:	DATE:	NO.	BY:	DATE:
1			3		
2			4		



CDM Smith
 CDM SMITH
 5400 Glenwood Avenue, Suite 400
 Raleigh, NC 27612-3228
 NC COA No. F-1255

DOCUMENT NOT CONSIDERED FINAL UNLESS ALL SIGNATURES COMPLETED	DRAWN BY: JJR DATE: 9/20	DWG. No.
	CHECKED BY: THF DATE: 10/20	
	DESIGN ENGINEER: VDK DATE: 11/20	