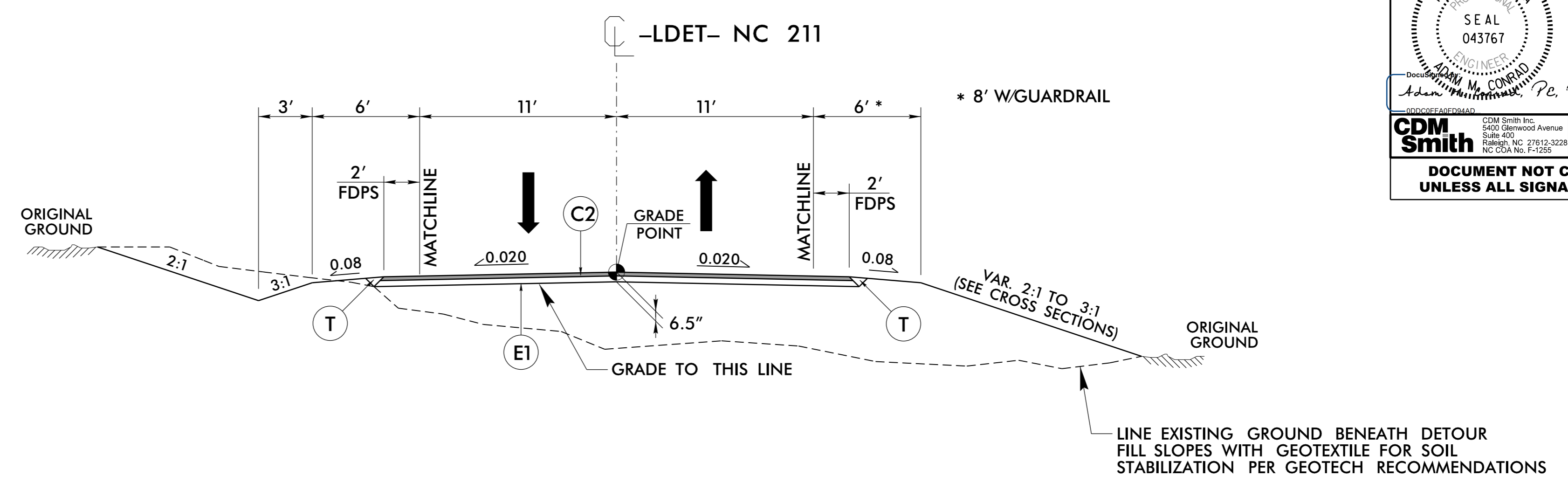
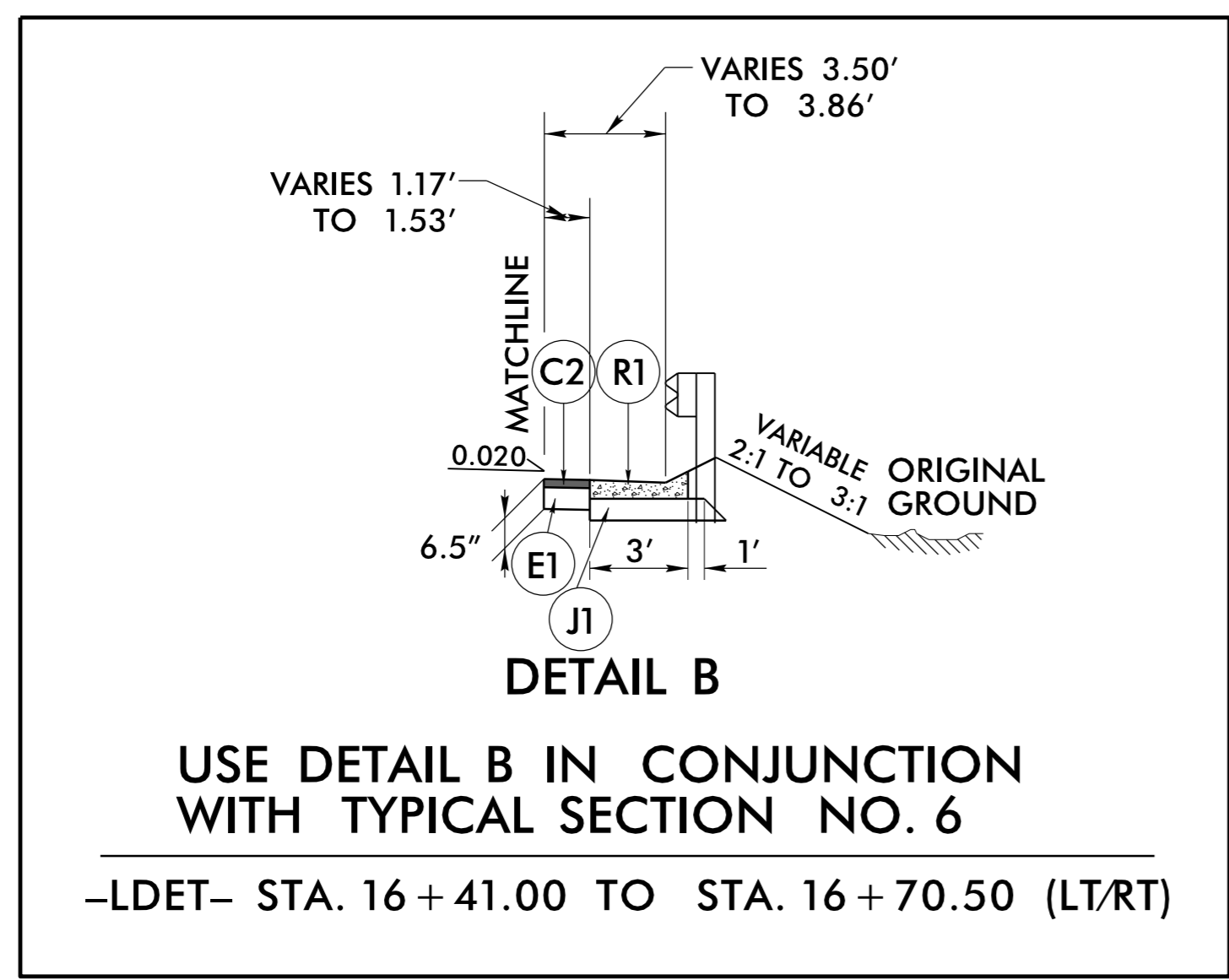


6/2/99

PROJECT REFERENCE NO. B-5624	SHEET NO. 2A-3
ROADWAY DESIGN ENGINEER	PAVEMENT DESIGN ENGINEER
CDM Smith Inc. 5400 Glenwood Avenue Suite 400 Raleigh, NC 27612-3228 NC CEA No. 141256	
<b>DOCUMENT NOT CONSIDERED FINAL UNLESS ALL SIGNATURES COMPLETED</b>	



PAVEMENT SCHEDULE	
FINAL PAVEMENT DESIGN	
C1	1.5" S9.5B
C2	2.5" S9.5B
C3	3" S9.5B
C4	VAR. S9.5B
D1	4" I19.0C
D2	VAR. I19.0C
E1	4" B25.0C
E2	VAR. B25.0C
J1	6" ABC
R1	SBG
T	EARTH MATERIAL
U	EXIST. PAVEMENT
V	INCIDENTAL MILLING
W	WEDGING

PAVEMENT EDGESLOPES 1:1 UNLESS NOTED OTHERWISE

