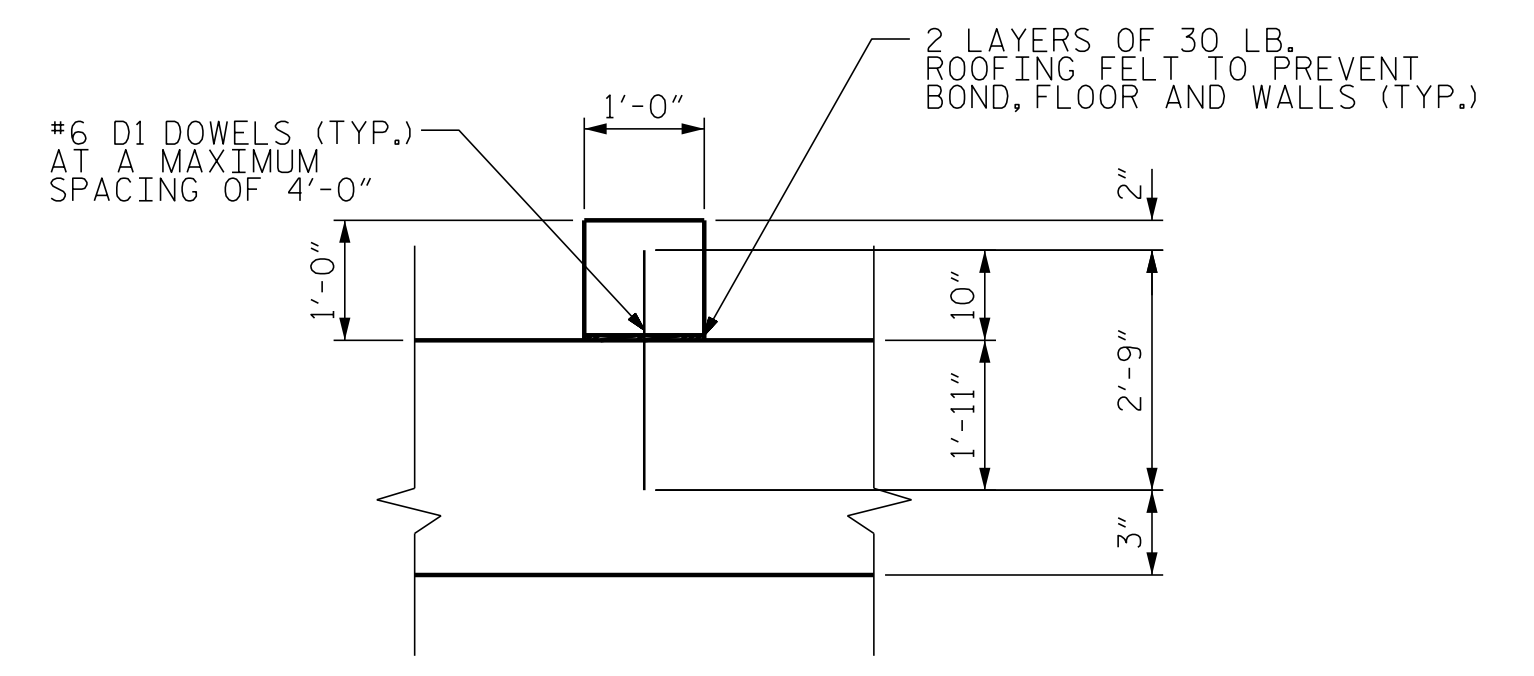


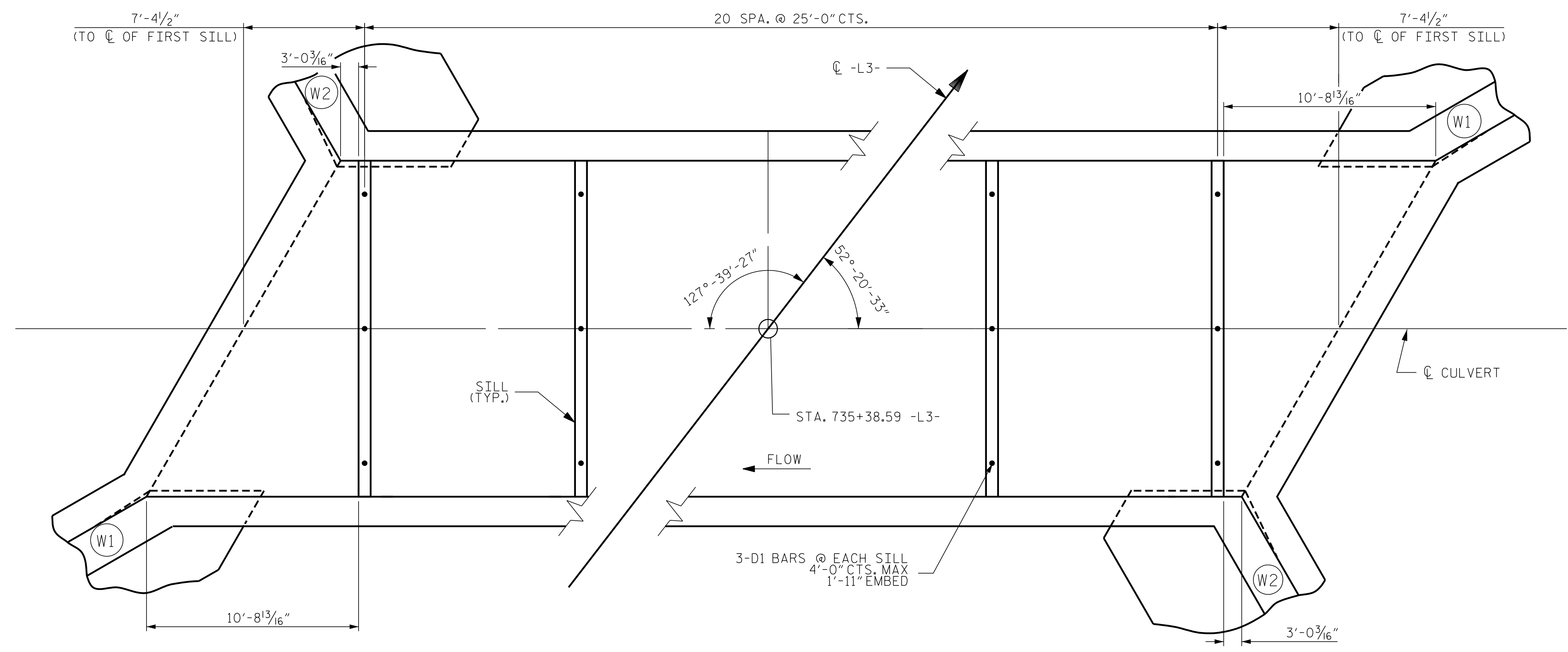
**CHANNEL CHANGE DETAIL**

EXCAVATION = 60 CY  
 CLASS II RIP RAP = 32 TONS  
 GEOTEXTILE = 45 SY



**SECTION THROUGH SILL**

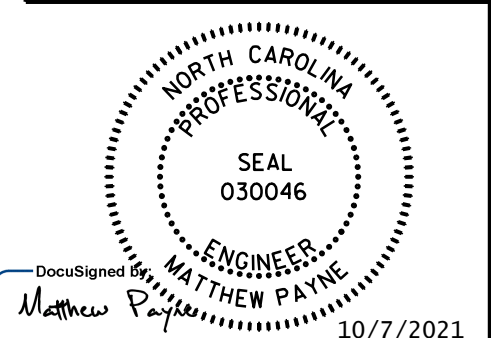
\* DOWELS MAY BE PUSHED INTO GREEN CONCRETE AFTER SLAB HAS BEEN FLOAT FINISHED



**SILL PLAN**

PROJECT NO. R-2233BB  
RUTHERFORD COUNTY  
 STATION: 735+38.59 -L3-

**Dewberry**  
 2610 WYCLIFF ROAD  
 SUITE 410  
 RALEIGH, NC 27607  
 PHONE: 919.881.9939  
 NC COA No. F-0929



STATE OF NORTH CAROLINA  
 DEPARTMENT OF TRANSPORTATION  
 RALEIGH

**SILL PLAN**

DRAWN BY : MTP DATE : 05/2021  
 CHECKED BY : CBC DATE : 05/2021  
 DESIGN ENGINEER OF RECORD: MTP DATE : 05/2021

REVISIONS						SHEET NO.
NO.	BY:	DATE:	NO.	BY:	DATE:	C4-5
1			3			TOTAL SHEETS
2			4			6

\*\*\*\*\*SYTIME\*\*\*\*\*  
 \*\*\*\*\*SDGN\*\*\*\*\*  
 \*\*\*\*\*USERNAME\*\*\*\*\*