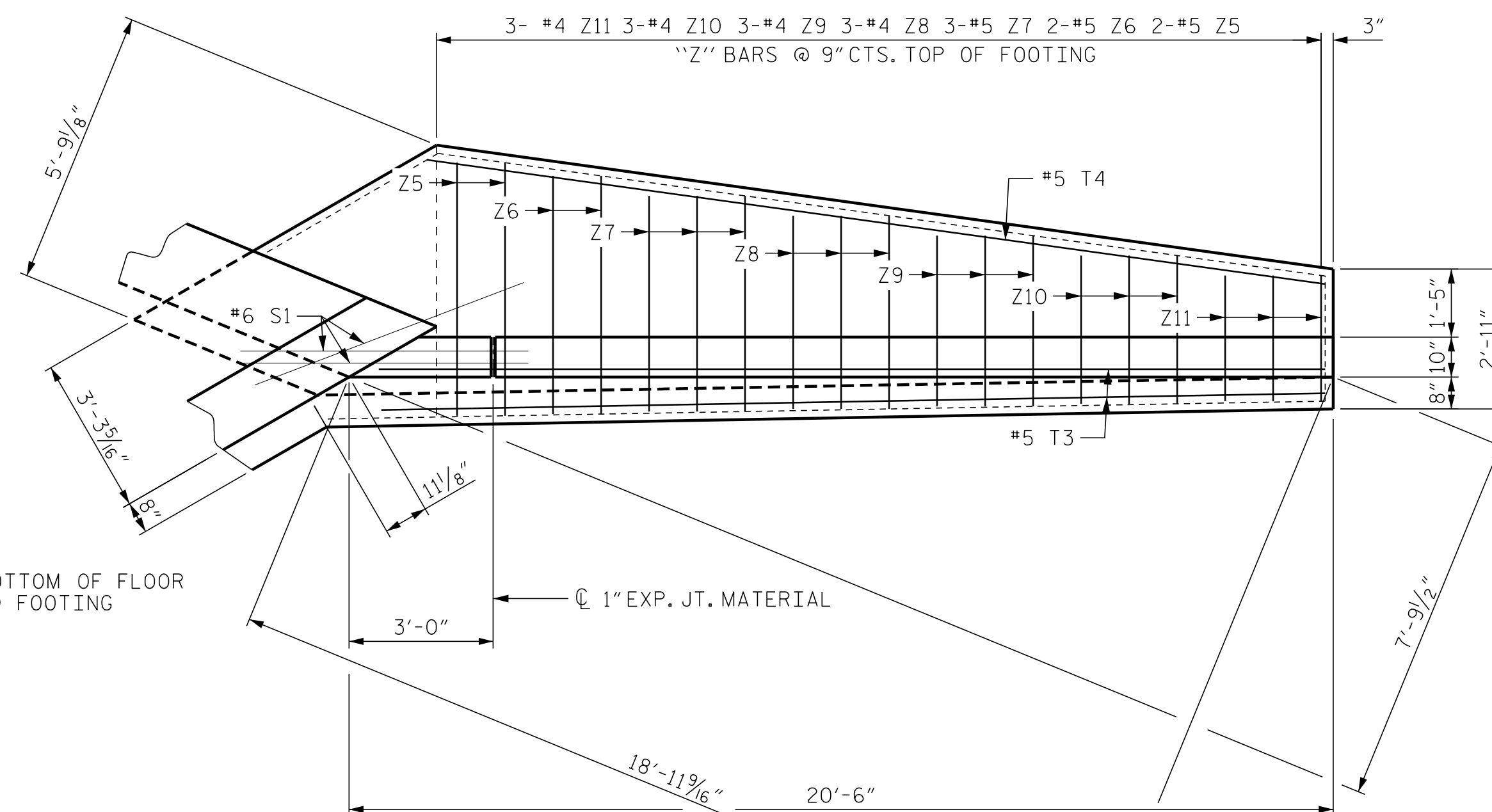
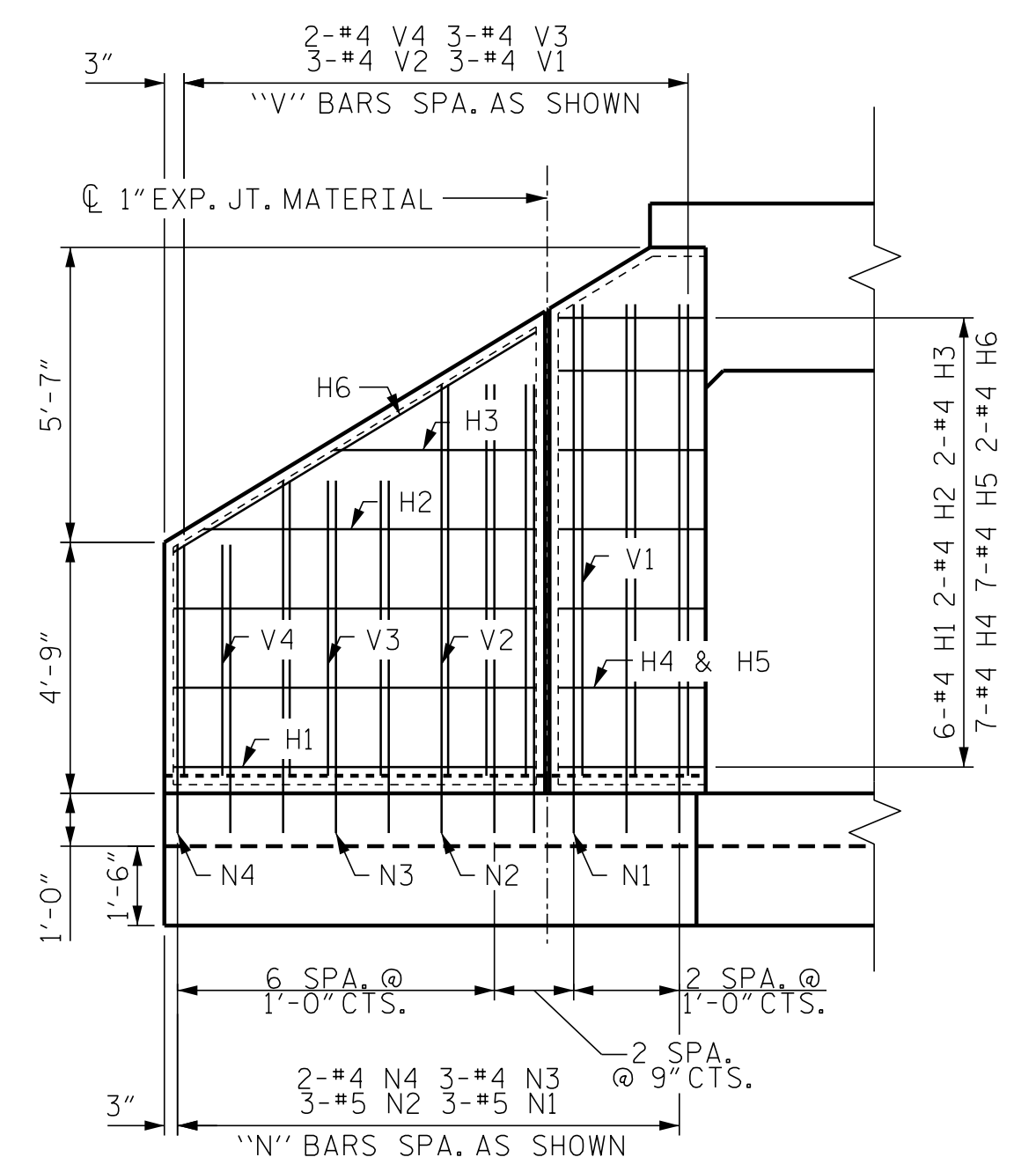


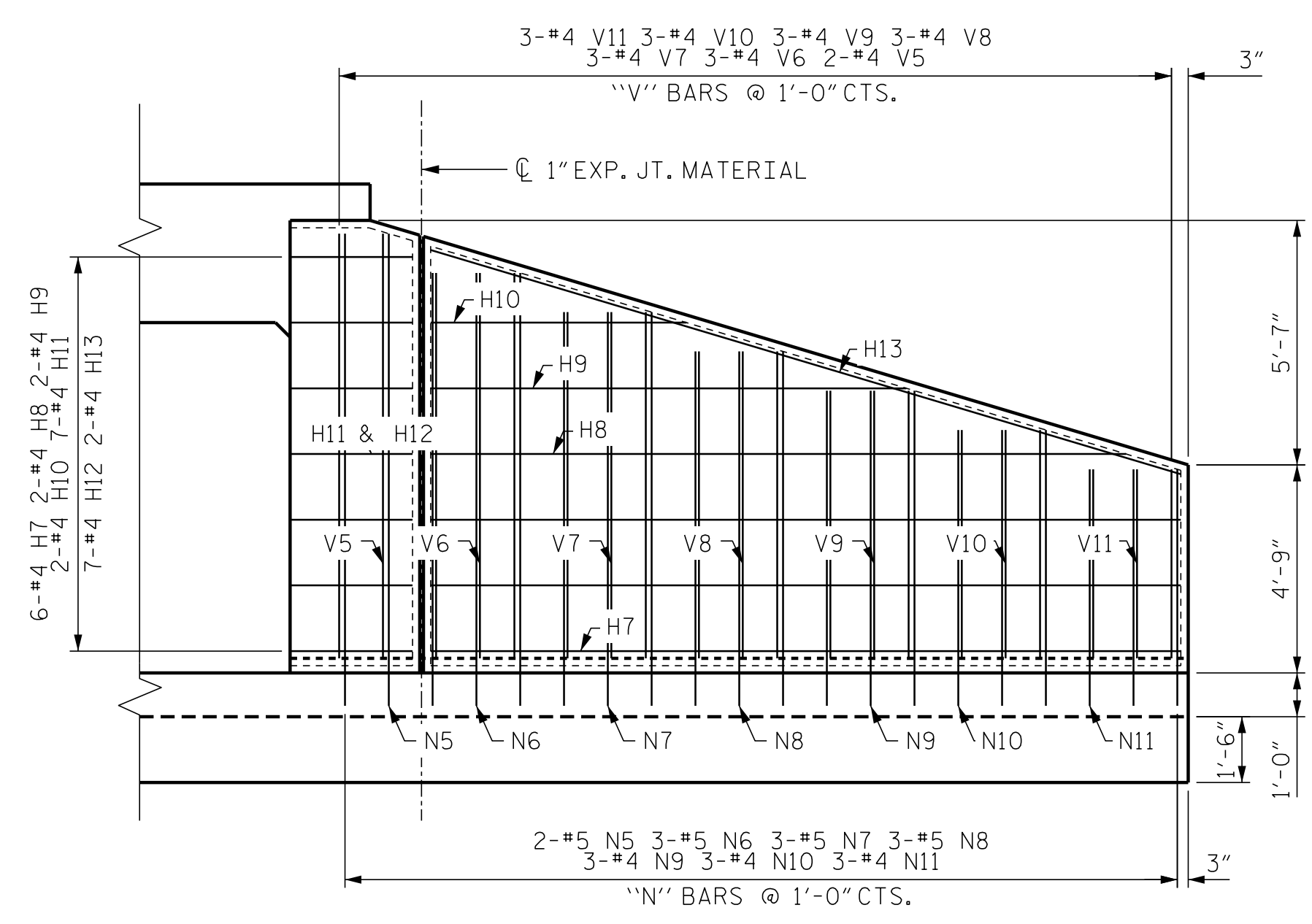
PLAN W2



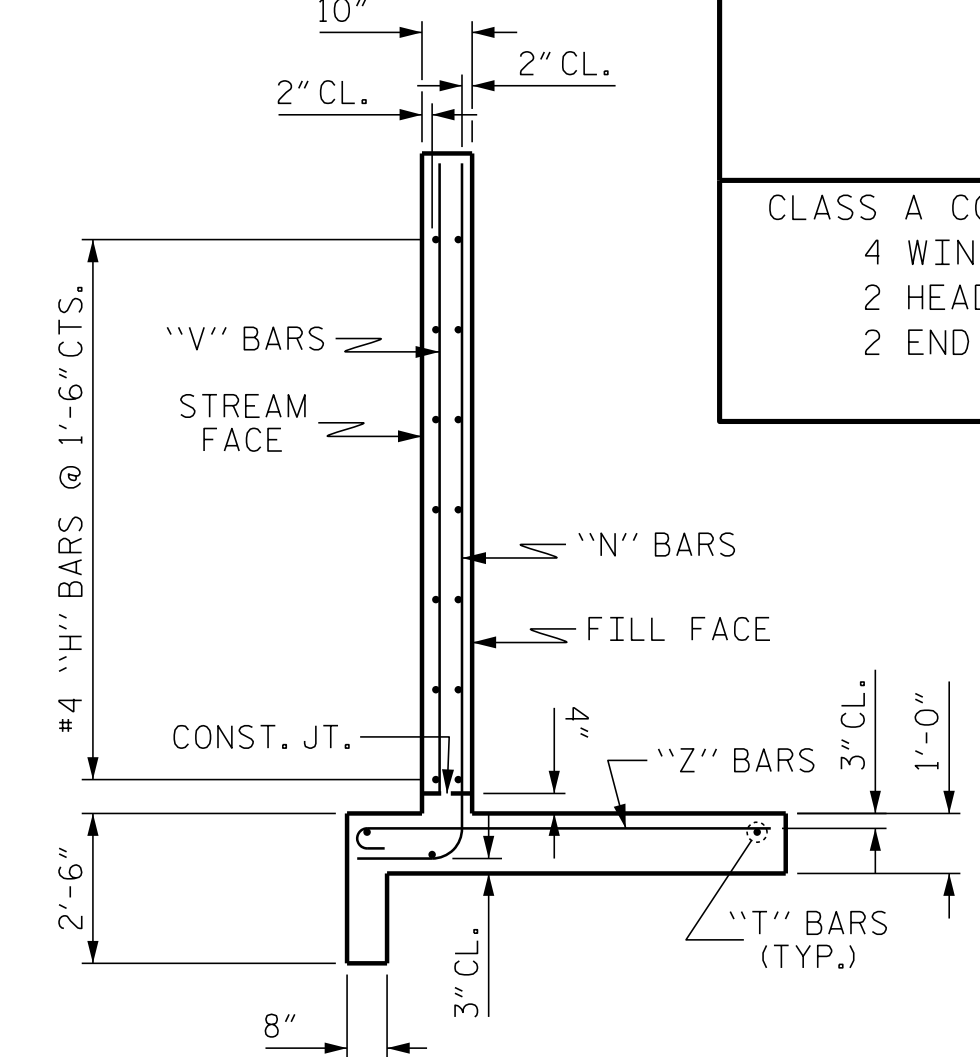
PLAN W1



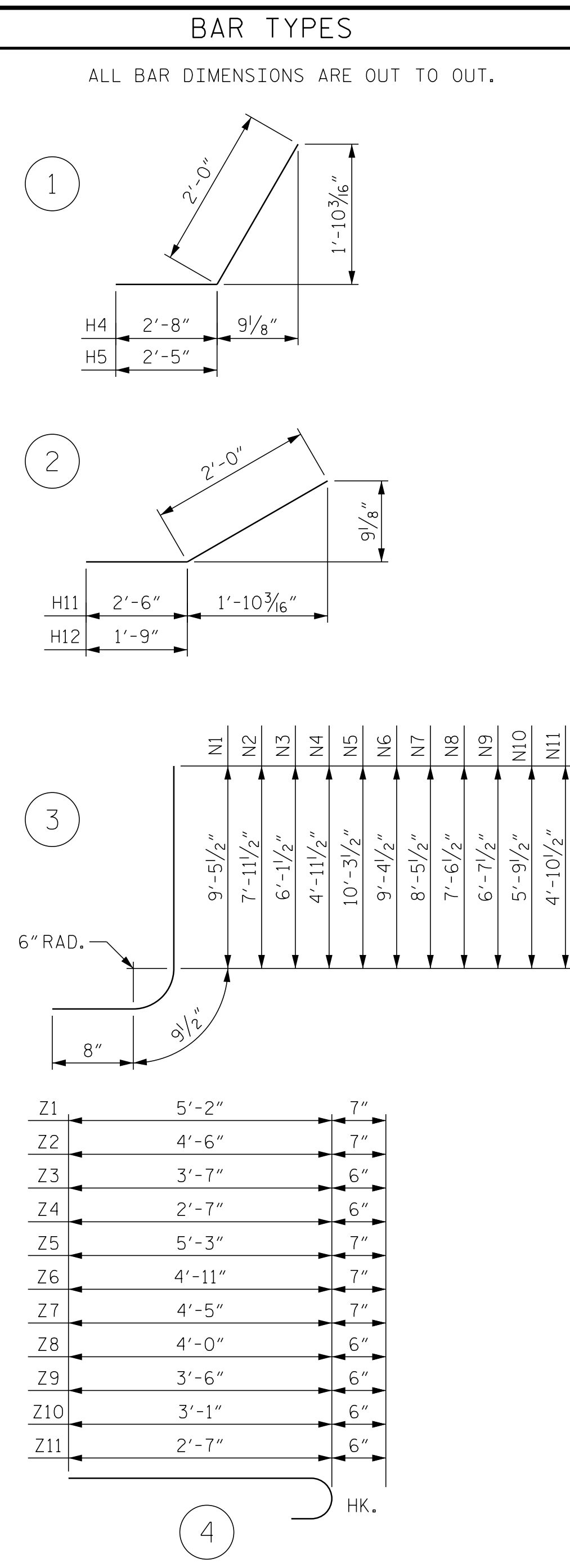
ELEVATION W2



ELEVATION W1



TYPICAL WING SECTION



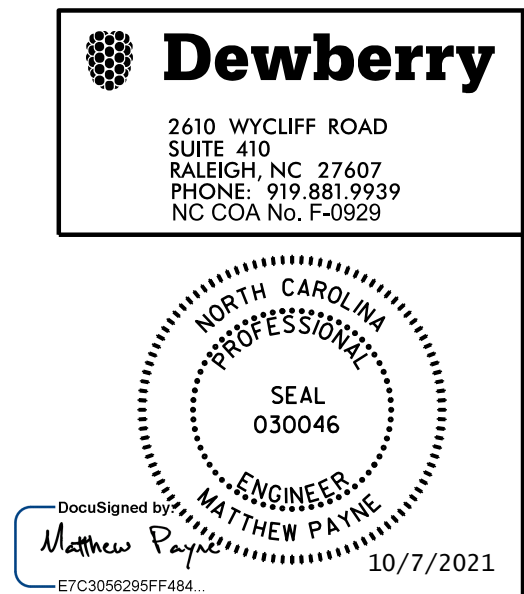
CLASS A CONCRETE

4 WINGS	26.1 CY
2 HEADWALLS	1.6 CY
2 END CURTAIN WALLS	1.9 CY
<b>TOTAL</b>	<b>29.6 CY</b>

BILL OF MATERIAL					
BAR	NO.	SIZE	TYPE	LENGTH	WEIGHT
H1	12	#4	STR	6'-10"	55
H2	4	#4	STR	6'-3"	17
H3	4	#4	STR	3'-10"	10
H4	14	#4	1	4'-8"	44
H5	14	#4	1	4'-5"	41
H6	4	#4	STR	8'-0"	21
H7	12	#4	STR	17'-1"	137
H8	4	#4	STR	15'-10"	42
H9	4	#4	STR	10'-10"	29
H10	4	#4	STR	5'-10"	16
H11	14	#4	2	4'-6"	42
H12	14	#4	2	3'-9"	35
H13	4	#4	STR	17'-10"	48
N1	6	#5	3	10'-11"	68
N2	6	#5	3	9'-5"	59
N3	6	#4	3	7'-7"	30
N4	4	#4	3	6'-5"	17
N5	4	#5	3	11'-9"	49
N6	6	#5	3	10'-10"	68
N7	6	#5	3	9'-11"	62
N8	6	#5	3	9'-0"	56
N9	6	#4	3	8'-1"	32
N10	6	#4	3	7'-3"	29
N11	6	#4	3	6'-4"	25
S1	12	#6	STR	6'-0"	108
T1	4	#5	STR	10'-4"	43
T2	2	#5	STR	9'-4"	19
T3	4	#5	STR	19'-8"	82
T4	2	#5	STR	18'-10"	39
V1	6	#4	STR	8'-11"	36
V2	6	#4	STR	7'-4"	29
V3	6	#4	STR	5'-7"	22
V4	4	#4	STR	4'-4"	12
V5	4	#4	STR	9'-8"	26
V6	6	#4	STR	8'-9"	35
V7	6	#4	STR	7'-10"	31
V8	6	#4	STR	7'-0"	28
V9	6	#4	STR	6'-1"	24
V10	6	#4	STR	5'-2"	21
V11	6	#4	STR	4'-3"	17
Z1	4	#5	4	5'-9"	24
Z2	4	#5	4	5'-1"	21
Z3	6	#4	4	4'-1"	16
Z4	6	#4	4	3'-1"	12
Z5	4	#5	4	5'-10"	24
Z6	4	#5	4	5'-6"	23
Z7	6	#5	4	5'-0"	31
Z8	6	#4	4	4'-6"	18
Z9	6	#4	4	4'-0"	16
Z10	6	#4	4	3'-7"	14
Z11	6	#4	4	3'-1"	12

REINFORCING STEEL 1815 LBS FOR 4 WINGS

PROJECT NO. R-2233BB  
 RUTHERFORD COUNTY  
 STATION: 735+38.59 -L3-



STATE OF NORTH CAROLINA  
 DEPARTMENT OF TRANSPORTATION  
 RALEIGH  
 WINGS FOR CONCRETE BOX CULVERT  
 H = 8'-0" SLOPE = 2:1

DRAWN BY: MTP DATE: 05/2021  
 CHECKED BY: CBC DATE: 05/2021  
 DESIGN ENGINEER OF RECORD: MTP DATE: 05/2021

REVISIONS						SHEET NO.	
NO.	BY:	DATE:	NO.	BY:	DATE:	C4-4	
1			3			TOTAL SHEETS	6
2			4				

DOCUMENT NOT CONSIDERED FINAL UNLESS ALL SIGNATURES COMPLETED