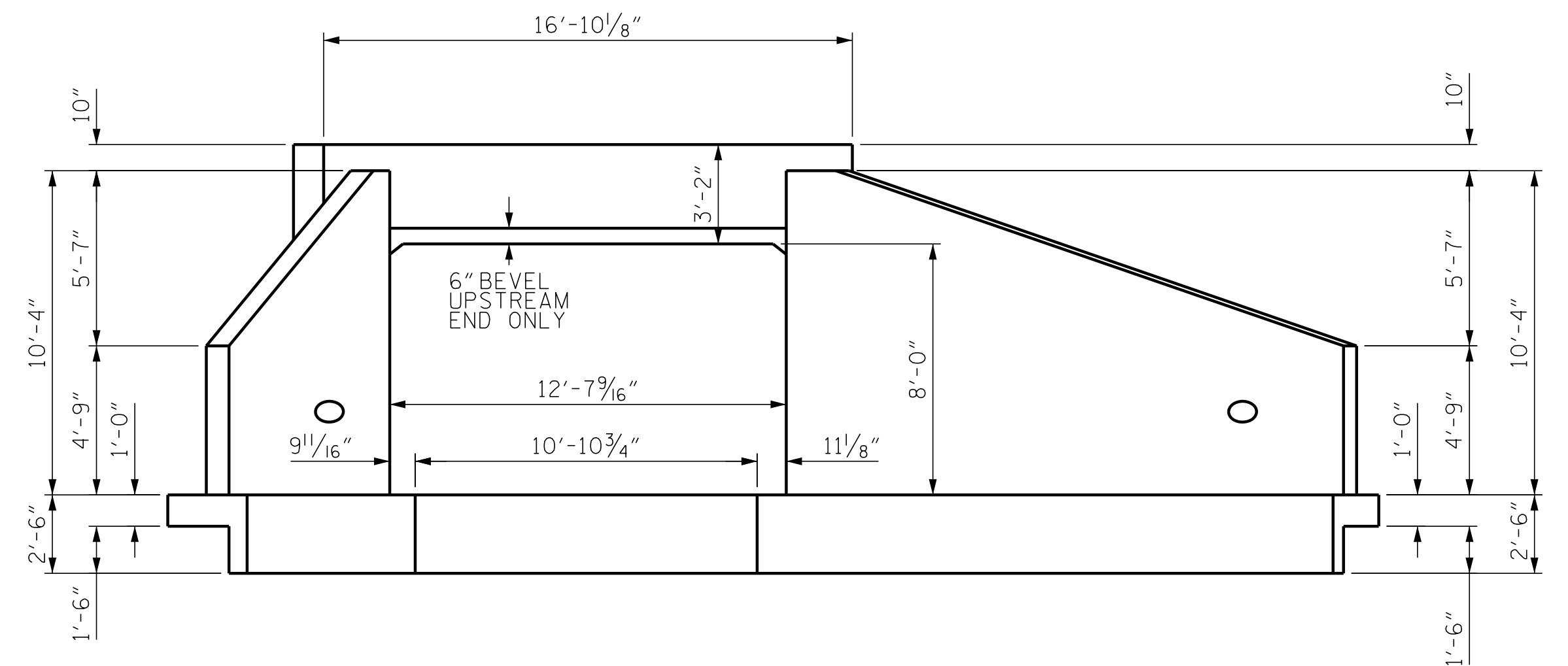
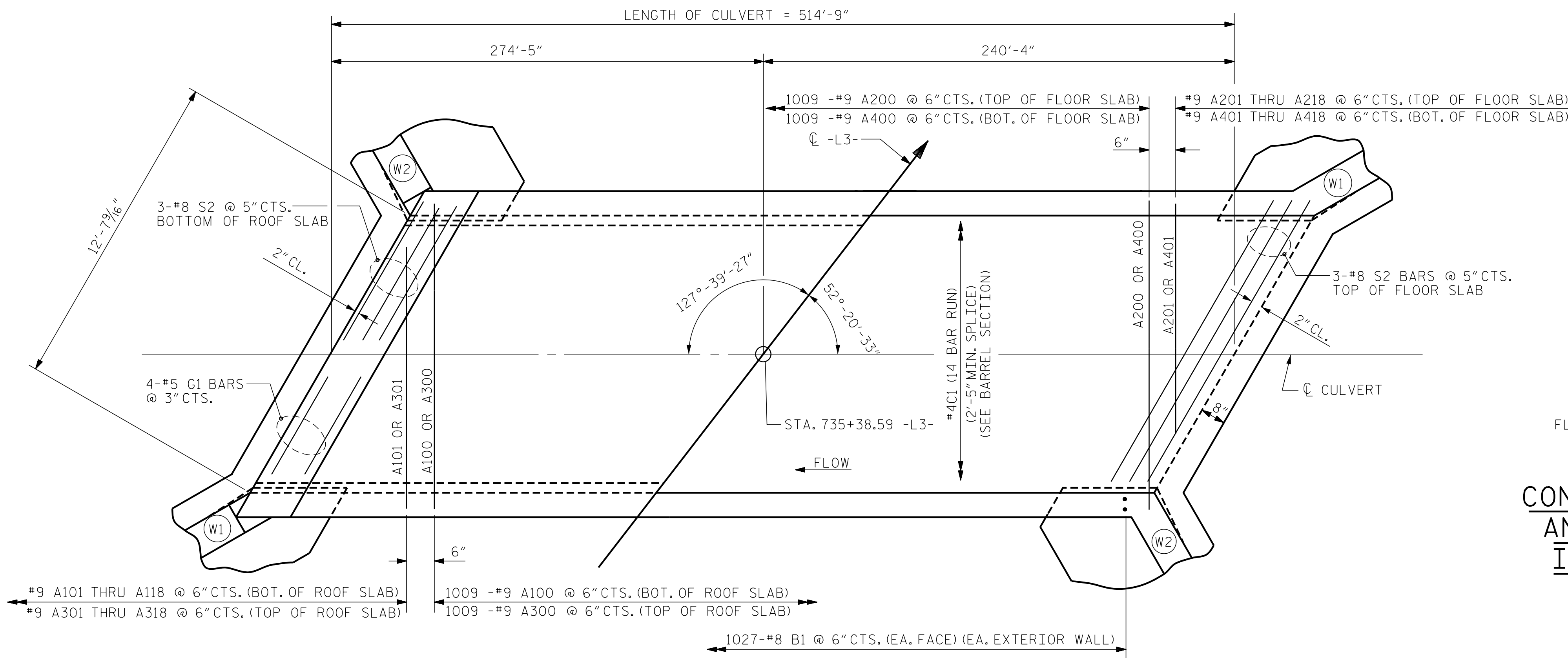


CULVERT SECTION NORMAL TO ROADWAY

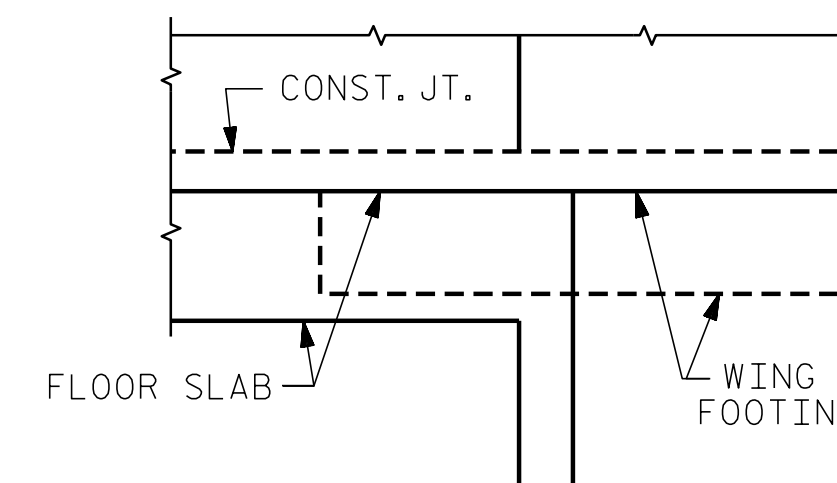
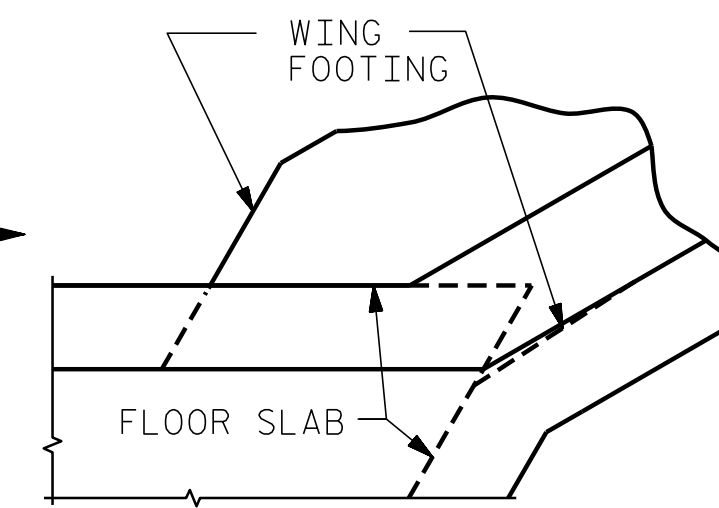


END ELEVATION NORMAL TO SKEW

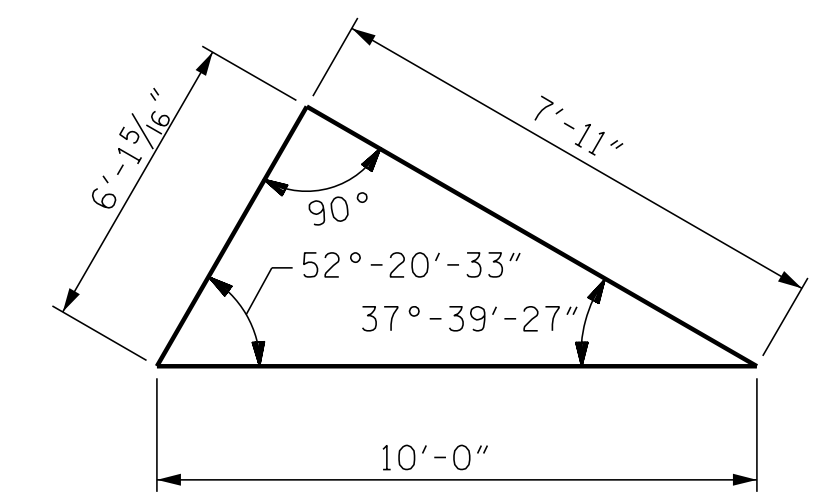


PART PLAN - ROOF SLAB

PART PLAN - FLOOR SLAB



CONNECTION OF WING FOOTING AND FLOOR SLAB WHEN SLAB IS THICKER THAN FOOTING



SKEW TRIANGLE

PROJECT NO. R-2233BB
RUTHERFORD COUNTY
 STATION: 735+38.59 -L3-

Dewberry
 2610 WYCLIFF ROAD
 SUITE 410
 RALEIGH, NC 27607
 PHONE: 919.881.9939
 NC COA No. F-0929

NORTH CAROLINA PROFESSIONAL ENGINEER
 SEAL 030046
 ENGINEER MATTHEW PAYNE
 10/7/2021

STATE OF NORTH CAROLINA
 DEPARTMENT OF TRANSPORTATION
 RALEIGH

SINGLE 10 FT. X 8 FT.
 CONCRETE BOX CULVERT

DRAWN BY: MTP DATE: 05/2021
 CHECKED BY: CBC DATE: 05/2021
 DESIGN ENGINEER OF RECORD: MTP DATE: 05/2021

DOCUMENT NOT CONSIDERED
 FINAL UNLESS ALL
 SIGNATURES COMPLETED

REVISIONS						SHEET NO.
NO.	BY:	DATE:	NO.	BY:	DATE:	TOTAL SHEETS
1			3			4
2			4			6

*****SYTIME*****
 *****SDGN*****
 *****USERNAME*****