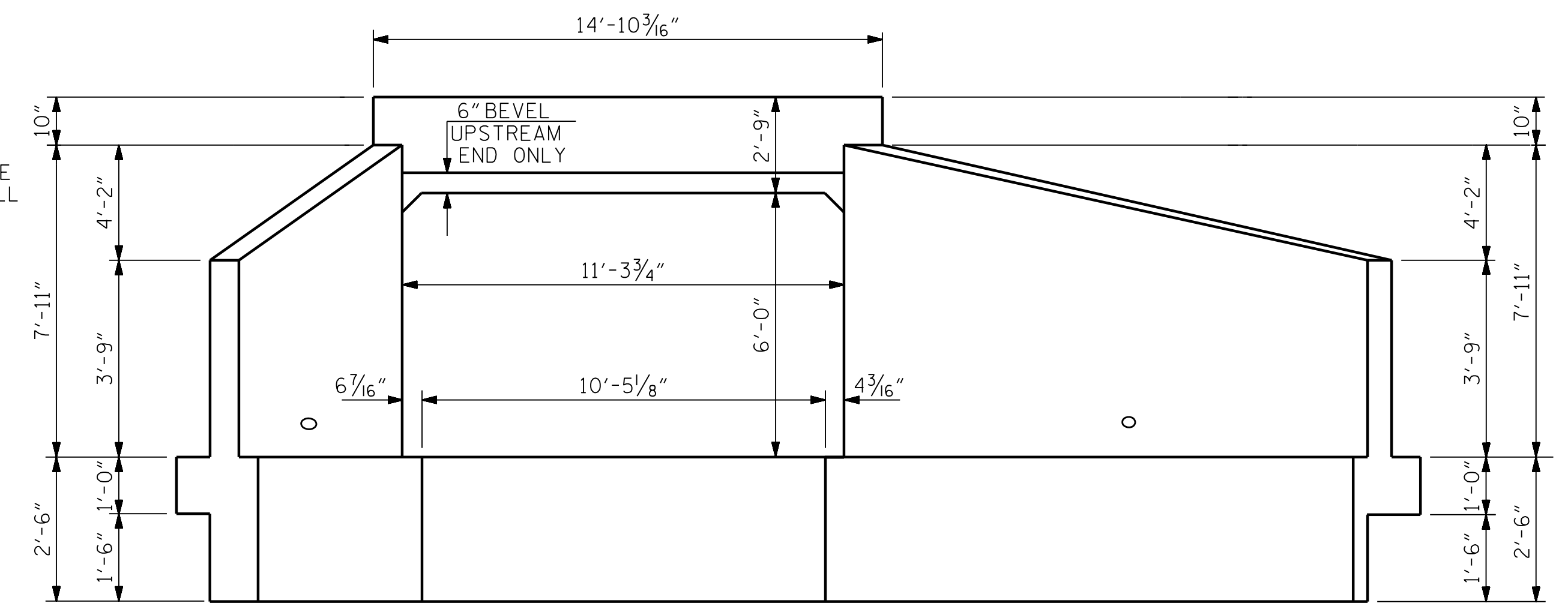
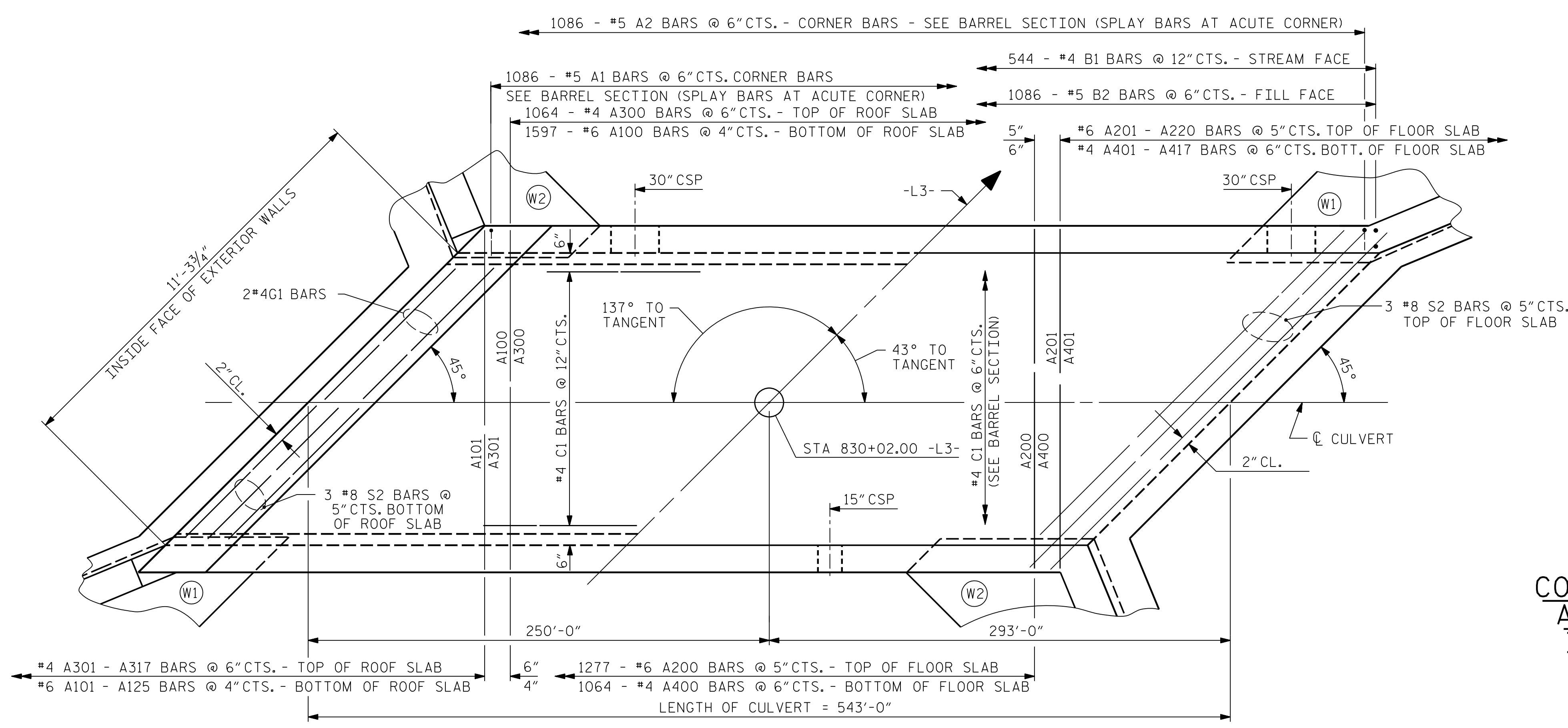


CULVERT SECTION NORMAL TO ROADWAY

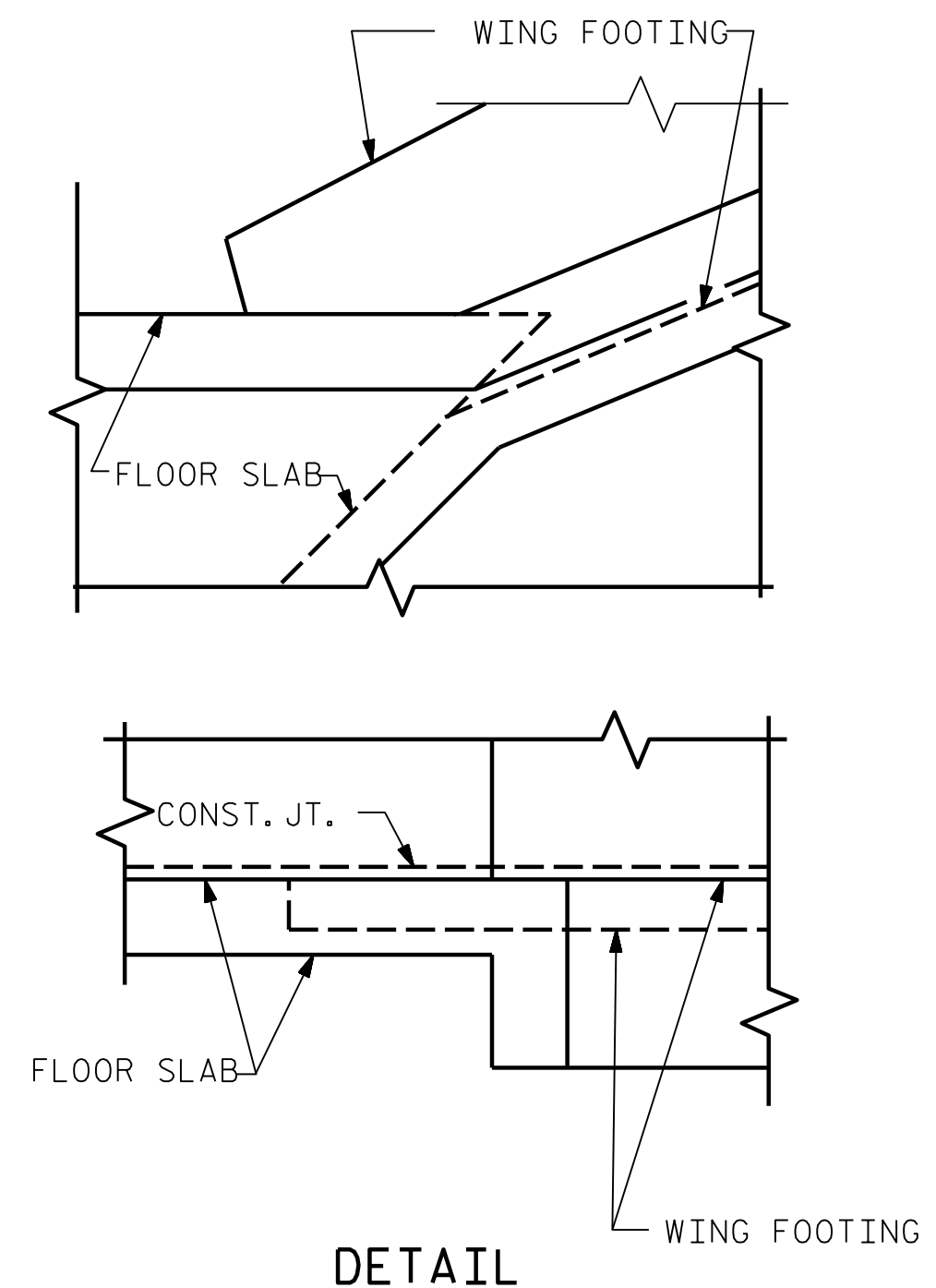


END ELEVATION NORMAL TO SKEW



PART PLAN - ROOF SLAB

PART PLAN - FLOOR SLAB



**DETAIL
CONNECTION OF WING FOOTING
AND FLOOR SLAB WHEN SLAB
IS THICKER THAN FOOTING**

PROJECT NO. R-2233BB
RUTHERFORD COUNTY
 STATION: 830+02.00 -L3-

SHEET 2 OF 5

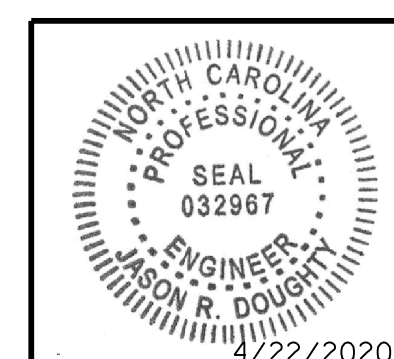
STATE OF NORTH CAROLINA
 DEPARTMENT OF TRANSPORTATION
 RALEIGH
**BARREL STANDARD
 SINGLE 8 FT. X 6 FT.
 CONCRETE BOX CULVERT
 43°-00'-00" SKEW**

REVISIONS						SHEET NO.
NO.	BY:	DATE:	NO.	BY:	DATE:	C2-2
1			3			TOTAL SHEETS
2			4			5



333 FAYETTEVILLE STREET, SUITE 500
 RALEIGH, NC 27601
 NC LICENSE NO. C-2979

**DOCUMENT NOT CONSIDERED FINAL
 UNLESS ALL SIGNATURES COMPLETED**



DocuSigned by:
Jason R Doughty
 SF73FA2DEA974E8...

4/22/2020
 411_003_R2233BB_SML_CEG.dgn

DESIGNED BY: J. BORUTA DATE: MAR 2019
 DRAWN BY: K. WHITE DATE: MAR 2019
 CHECKED BY: B. LOFLIN DATE: APR 2019
 DESIGN ENGINEER OF RECORD: J. DOUGHTY DATE: NOV 2019