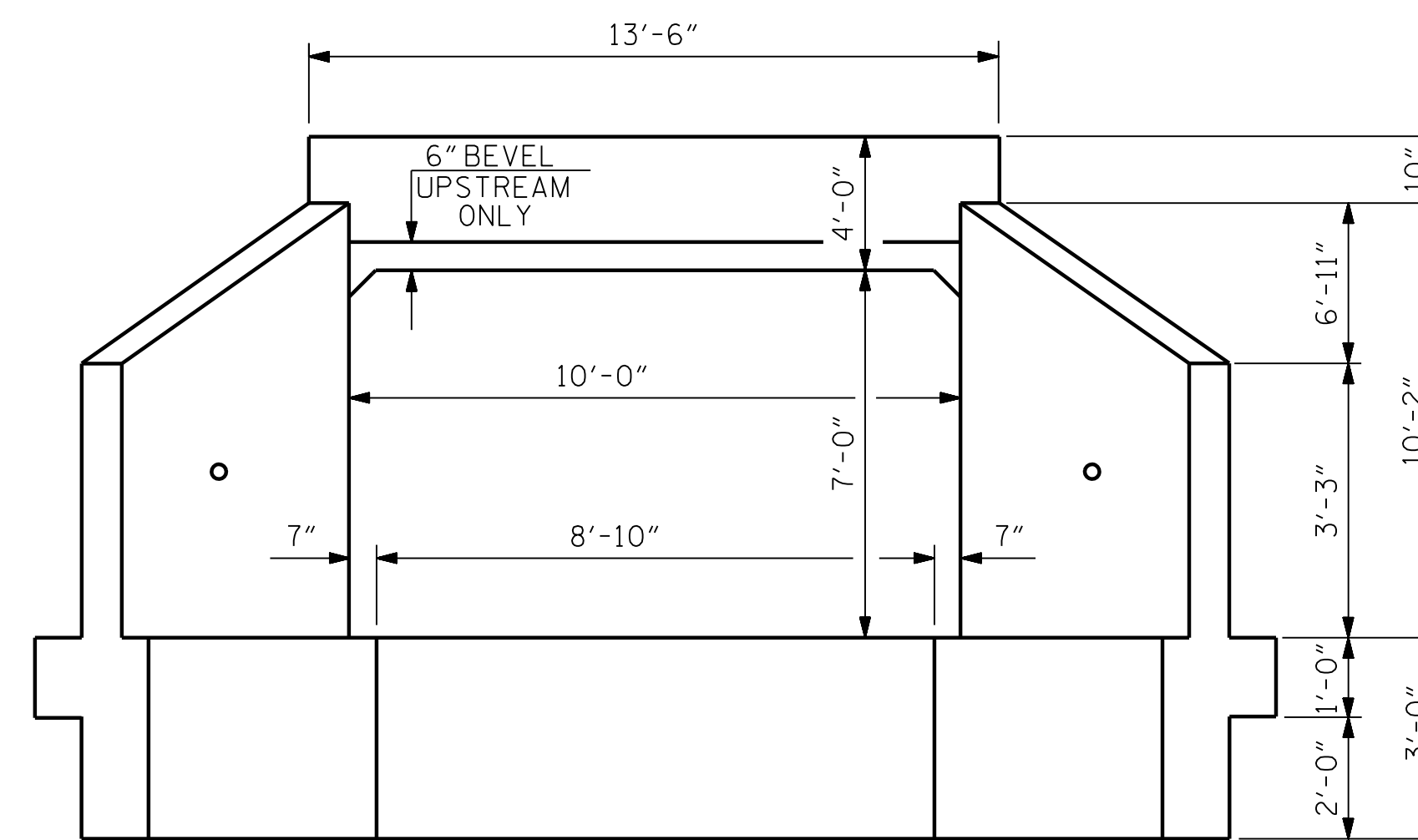
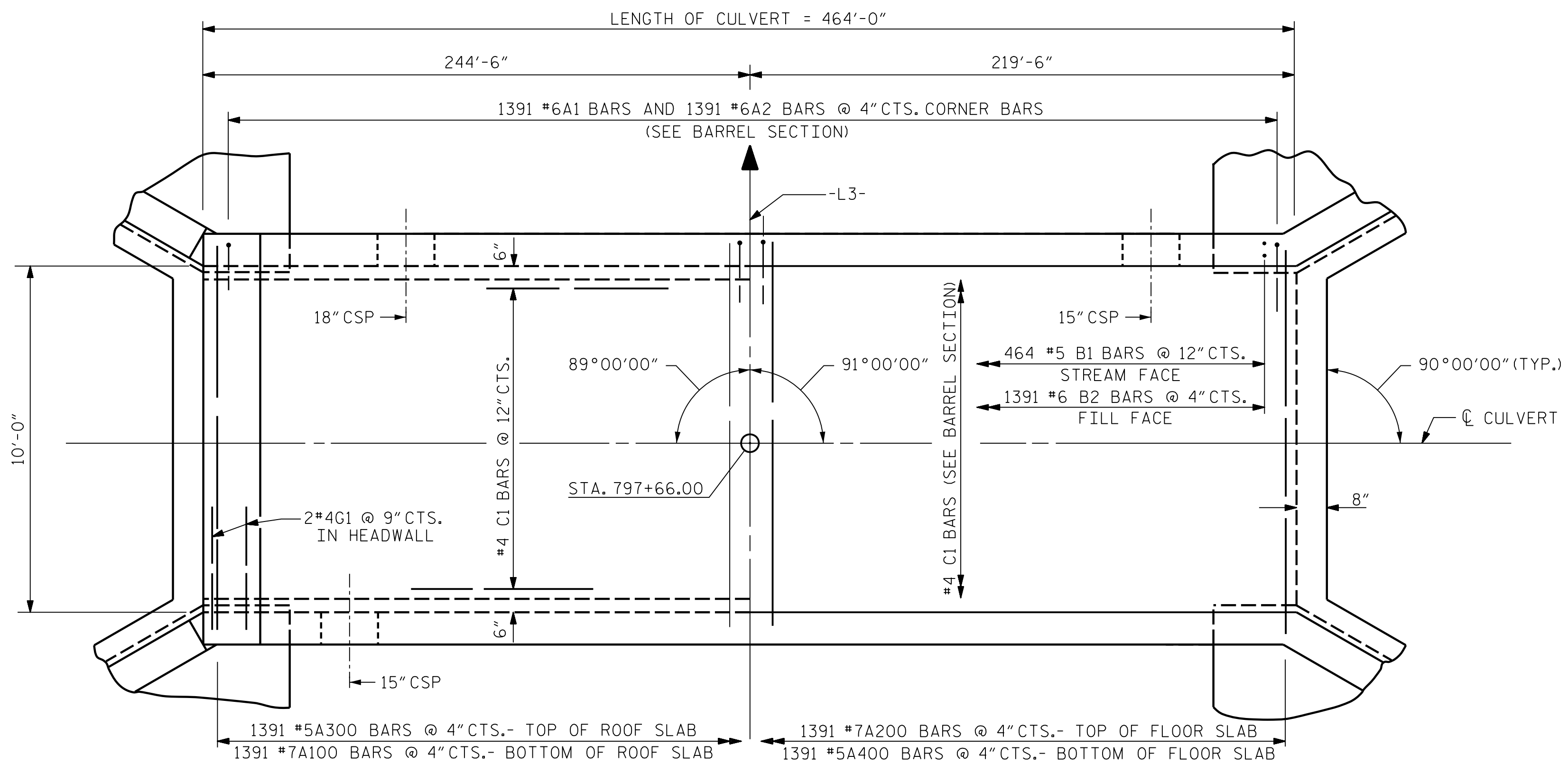


CULVERT SECTION NORMAL TO ROADWAY

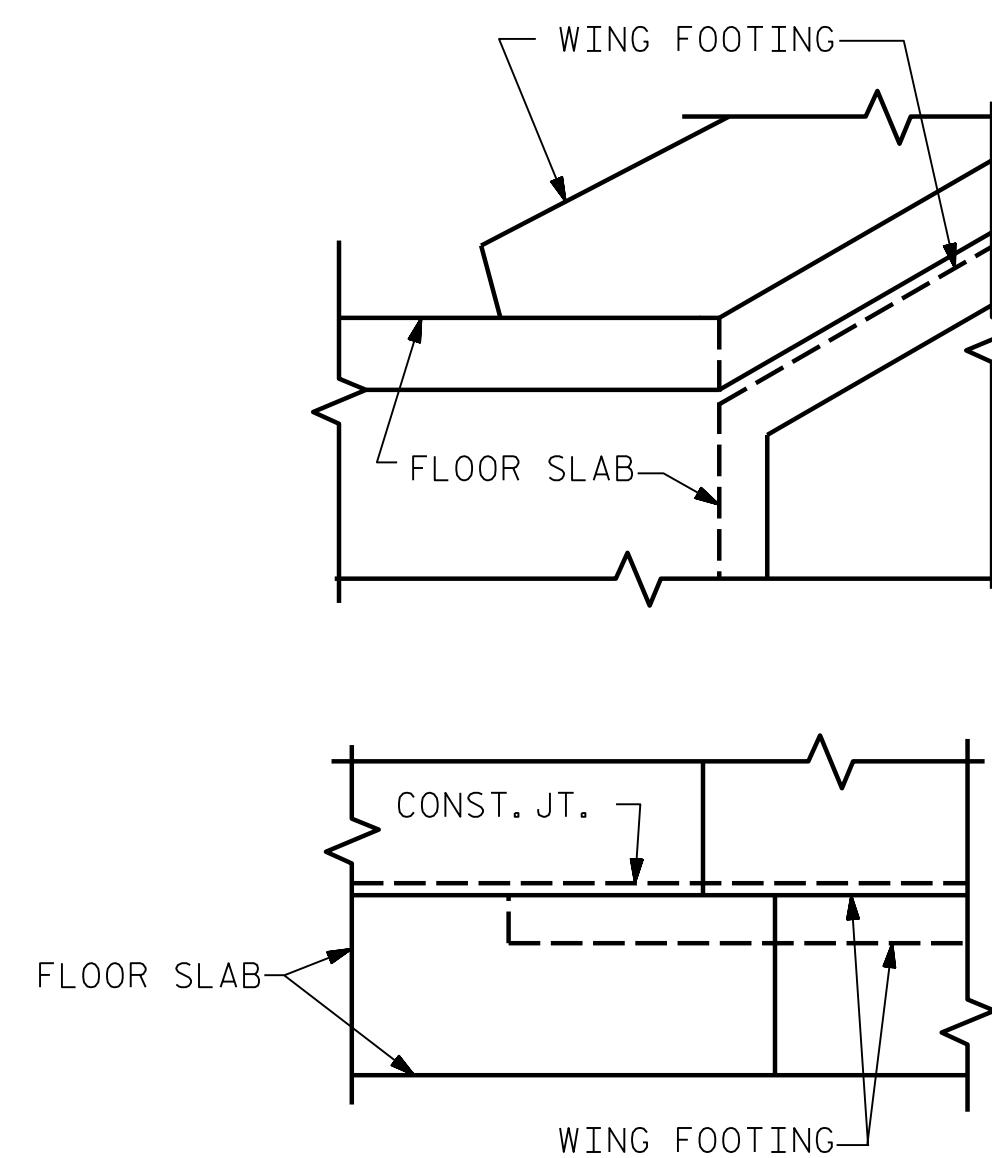


END ELEVATION



PART PLAN ROOF SLAB

PART PLAN FLOOR SLAB



CONNECTION OF WING FOOTING AND FLOOR SLAB WHEN SLAB IS THICKER THAN FOOTING

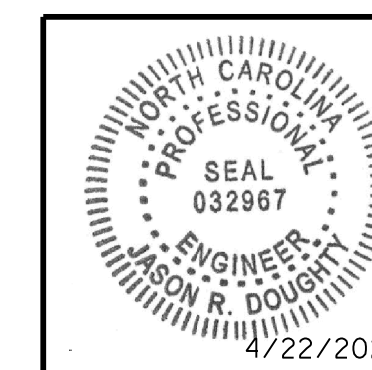
PROJECT NO. R-2233BB
RUTHERFORD COUNTY
 STATION: 797+66.00 -L3-

SHEET 2 OF 5

STATE OF NORTH CAROLINA
 DEPARTMENT OF TRANSPORTATION
 RALEIGH
 BARREL STANDARD
 SINGLE 10 FT. X 7 FT.
 CONCRETE BOX CULVERT
 91°-00'-00" SKEW



333 FAYETTEVILLE STREET, SUITE 500
 RALEIGH, NC 27601
 NC LICENSE NO. C-2979



DocuSigned by:
 Jason R. Doughty
 SF73FA2DEA874E8...

REVISIONS						SHEET NO.
NO.	BY:	DATE:	NO.	BY:	DATE:	C1-2
1			3			TOTAL SHEETS
2			4			5

**DOCUMENT NOT CONSIDERED FINAL
 UNLESS ALL SIGNATURES COMPLETED**

CUL 1

STD. NO. CB90_1

DESIGNED BY: A. DUTTA DATE: AUG 2019
 DRAWN BY: K. WHITE DATE: AUG 2019
 CHECKED BY: B. LOFLIN DATE: AUG 2019
 DESIGN ENGINEER OF RECORD: J. DOUGHTY DATE: NOV 2019

DRAWN BY: RWW 8/89 REV. 6/19 MAA/THC
 CHECKED BY: ARB 8/89