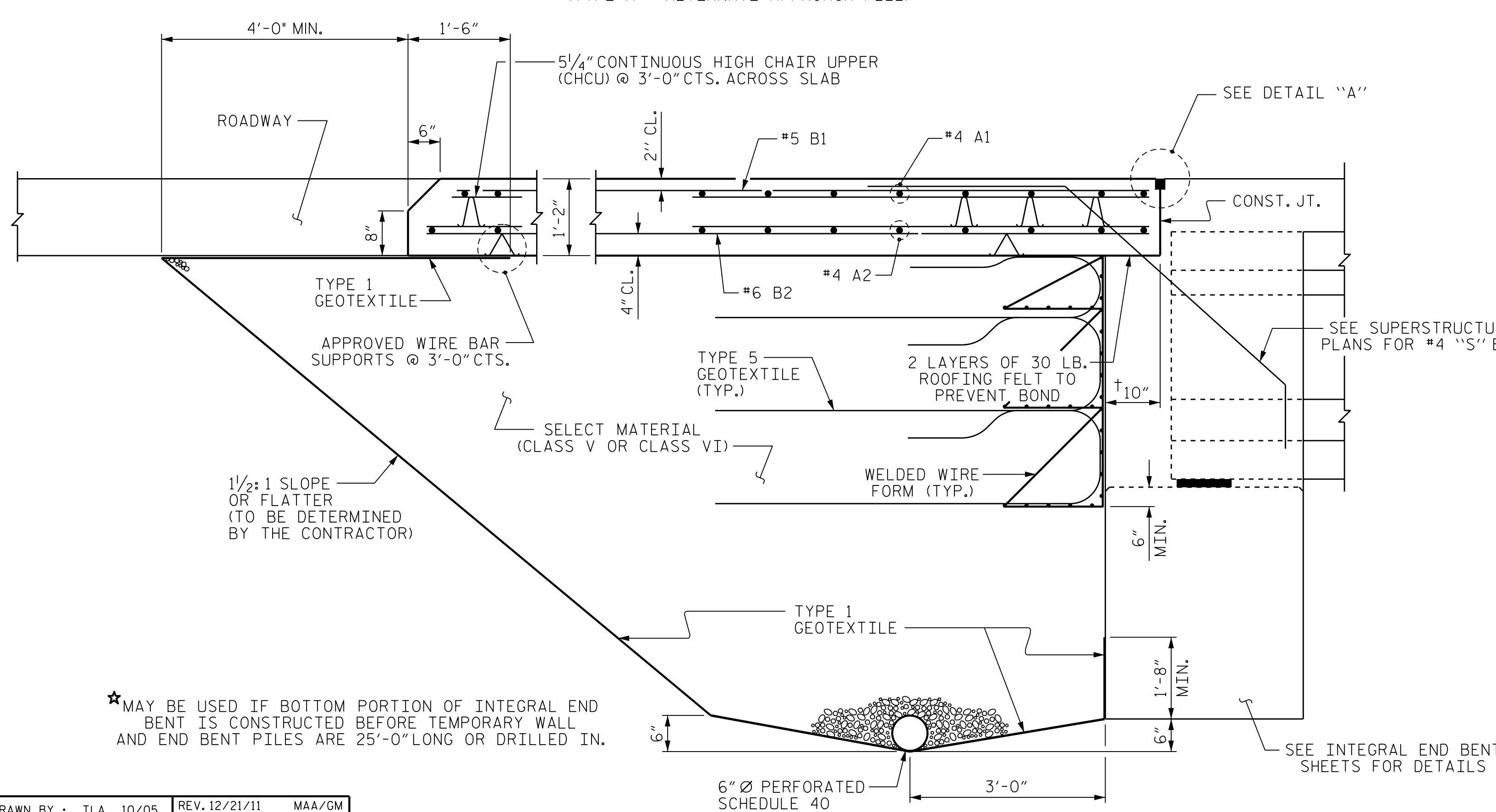
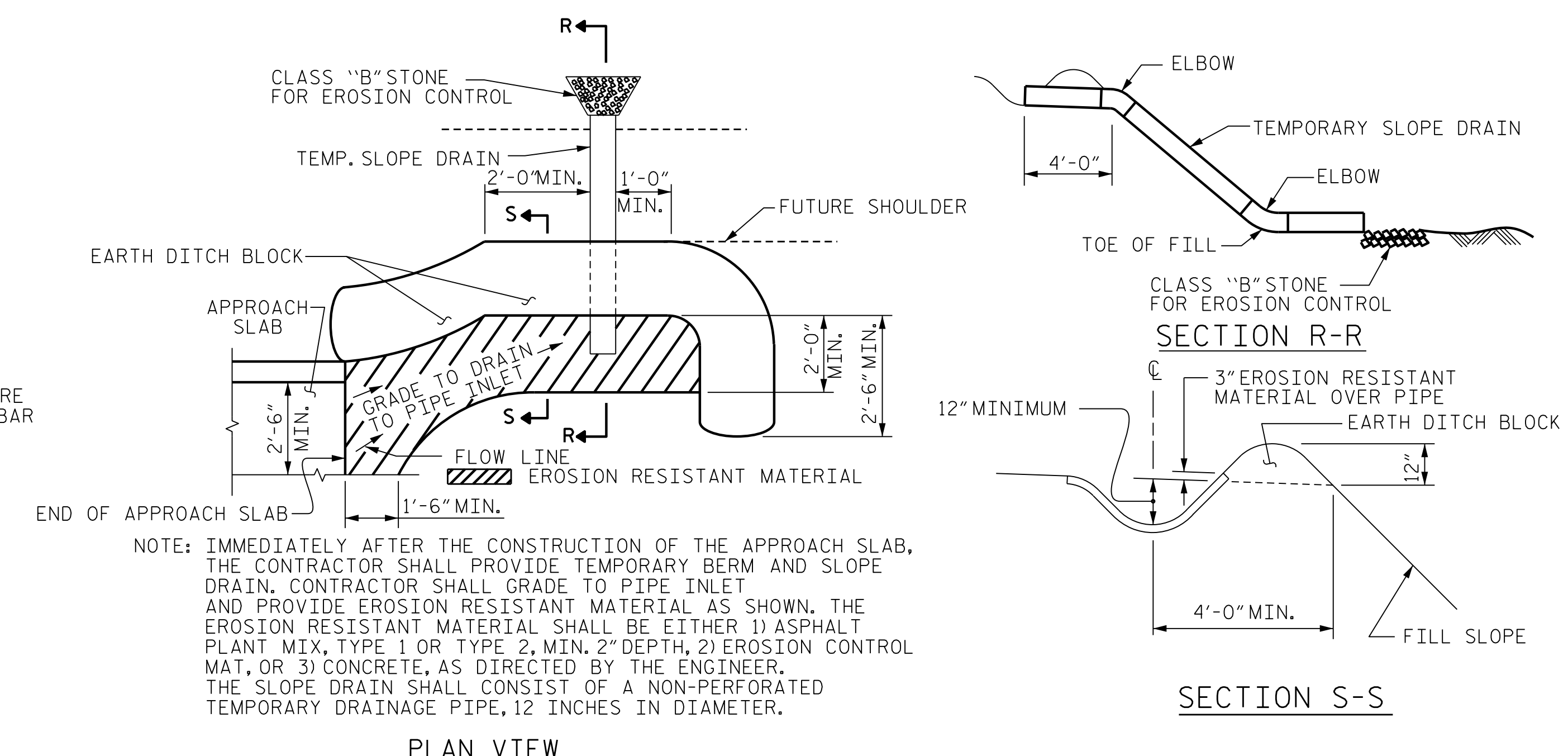


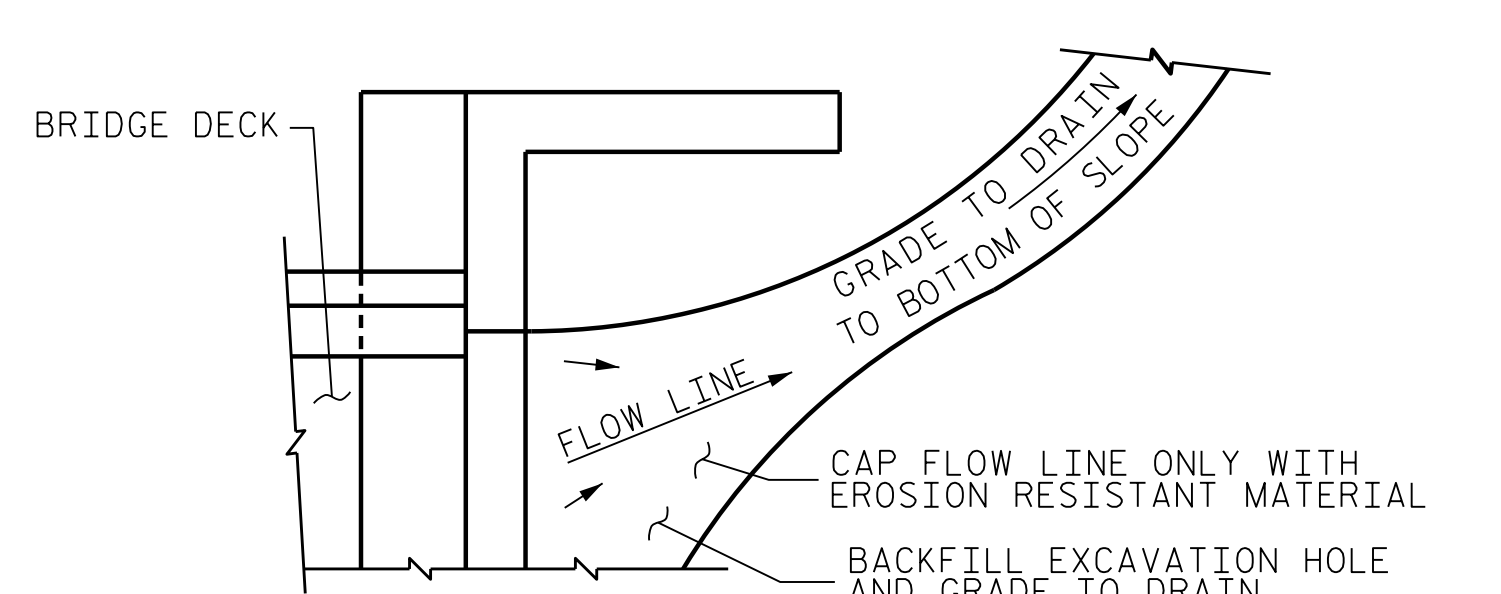
SECTION THRU SLAB
(TYPE A - ALTERNATE APPROACH FILL)



SECTION THRU SLAB
(TYPE A - ALTERNATE APPROACH FILL)



TEMPORARY BERM AND SLOPE DRAIN DETAILS
(TO BE USED WHEN SHOULDER BERM GUTTER IS REQUIRED)



TEMPORARY DRAINAGE DETAIL

NOTES

- APPROACH SLAB SHALL NOT BE CONSTRUCTED PRIOR TO COMPLETION OF THE BRIDGE DECK.
- FOR TEMPORARY GEOTEXTILE WALL INCLUDING GEOTEXTILE, 6" Ø DRAINAGE PIPE, WELDED WIRE FORM, AND SELECT MATERIAL, SEE ROADWAY PLANS.
- GEOTEXTILE (TYPE 1 OR TYPE 5) SHALL BE IN ACCORDANCE WITH THE STANDARD SPECIFICATIONS SECTION 1056.
- SELECT MATERIAL BACKFILL (CLASS V OR CLASS VI) SHALL BE IN ACCORDANCE WITH STANDARD SPECIFICATIONS SECTION 1016.
- SELECT MATERIAL BACKFILL IS TO BE CONTINUOUS ALONG FILL FACE OF BACKWALL FROM OUTSIDE EDGE TO OUTSIDE EDGE OF APPROACH SLAB.
- FOR THE 6" Ø DRAINAGE PIPE OUTLET(S), SEE ROADWAY STANDARD DRAWINGS.
- AREA BETWEEN THE WINGWALL AND APPROACH SLAB SHALL BE GRADED TO DRAIN THE WATER AWAY FROM THE FILL FACE OF THE BRIDGE AND SHALL BE PAVED. SEE ROADWAY PLANS.
- THE JOINT OPENING AT THE APPROACH SLAB/DECK INTERFACE SHALL BE SAWED NO MORE THAN 12 HOURS AFTER THE APPROACH SLAB IS CAST. THE JOINT SHALL BE CLEANED OF ALL DEBRIS BEFORE THE SEALANT IS APPLIED. THE JOINT SEALER MATERIAL SHALL CONFORM TO THE REQUIREMENTS OF SECTION 1028-3 OF THE STANDARD SPECIFICATIONS.

PROJECT NO. R-2233BB
RUTHERFORD COUNTY
 STATION: 26+65.52 -Y3-
 SHEET 2 OF 2

STATE OF NORTH CAROLINA		DEPARTMENT OF TRANSPORTATION		RALEIGH	
STANDARD		BRIDGE APPROACH		SLAB DETAILS	
NO.		BY:		DATE:	
1		3		4	
SHEET NO.		TOTAL SHEETS		45	
S4-45		STR. #4		STD. NO. BASS	

MODJESKI and MASTERS
 Experience great bridges.
 333 FAYETTEVILLE STREET, SUITE 500
 RALEIGH, NC 27601
 NC LICENSE NO. C-2979

DocuSigned by:
Jason R. Dougherty
 5F73FA2DEA874E8...

DOCUMENT NOT CONSIDERED FINAL UNLESS ALL SIGNATURES COMPLETED

4/22/2020
 404_095_R2233BB_SMLL_AS2_800663.DGN

DRAWN BY: TLA	10/05	REV. 12/21/11	MAA/GM
CHECKED BY: GM	5/06	REV. 6/13	MAA/GM
		REV. 12/17	MAA/THC

DESIGNED BY: A. DUTTA	DATE: AUG 2019
DRAWN BY: K. WHITE	DATE: AUG 2019
CHECKED BY: J. BORUTA	DATE: AUG 2019
DESIGN ENGINEER OF RECORD: J. DOUGHTY	DATE: NOV 2019