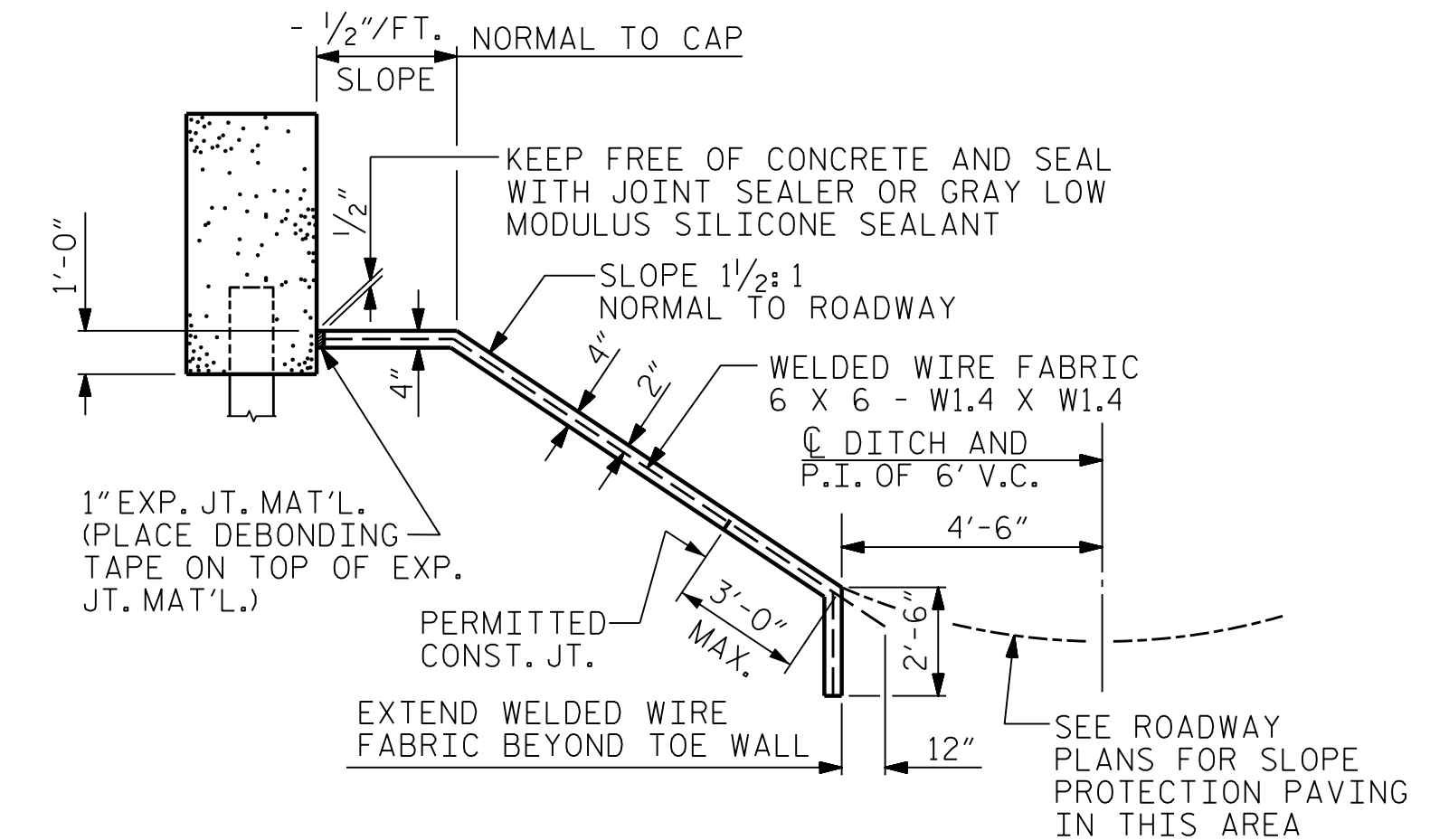


**GENERAL NOTES**

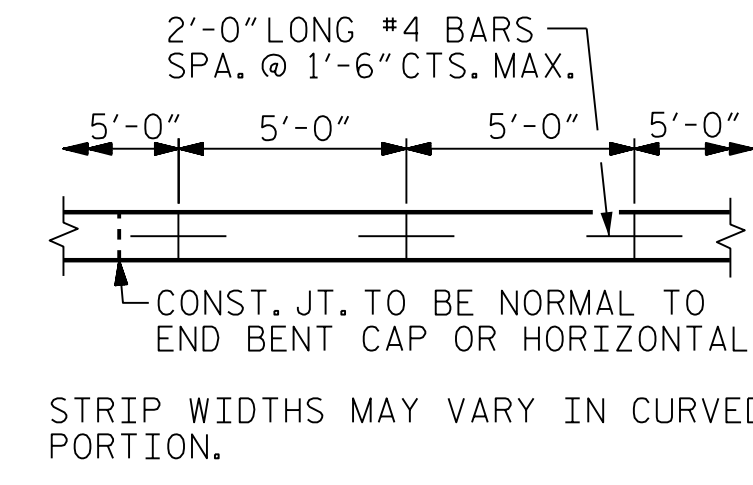
STRAIGHT EDGING WILL NOT BE REQUIRED UNLESS, IN THE OPINION OF THE ENGINEER, VISUAL INSPECTION INDICATES A NEED FOR IT. MEASUREMENT AND PAYMENT SHALL BE AS PRESCRIBED IN SECTION 462 OF THE STANDARD SPECIFICATIONS. FOR BERM WIDTH, SEE GENERAL DRAWING. SLOPE PROTECTION SHALL CONSIST OF 4" POURED-IN-PLACE CONCRETE PAVING AS SHOWN IN THE DETAILS ON THIS SHEET. CONCRETE SHALL BE CLASS "B". THE CONCRETE SURFACE SHALL BE FLOATED WITH A WOODEN FLOAT AND FINISHED. WELDED WIRE FABRIC REINFORCING SHALL BE 6 X 6 - W1.4 X W1.4, 60" WIDE. SLOPE PROTECTION SHALL BE POURED IN 5' STRIPS AS SHOWN IN THE "POURING DETAIL" WITH 2'-0" LONG #4 BARS PLACED ALONG THE SLOPE BETWEEN STRIPS AT 1'-6" MAXIMUM SPACING. SLOPE PROTECTION MAY BE POURED IN ALTERNATE 4' AND 5' STRIPS AS SHOWN IN THE "OPTIONAL POURING DETAIL" WITH ADJACENT RUNS OF WELDED WIRE FABRIC LAPPING AT LEAST 6". THE COST OF THE WELDED WIRE FABRIC AND #4 BARS, IF USED, SHALL BE INCLUDED IN THE CONTRACT UNIT PRICE BID PER SQUARE YARD FOR SLOPE PROTECTION.

BRIDGE @ STA. 26+65.52 -Y3-	4 INCH SLOPE PROTECTION	* WELDED WIRE FABRIC 60 INCHES WIDE
	SQUARE YARDS	APPROX. L.F.
END BENT 1	954	1720
END BENT 2	479	865

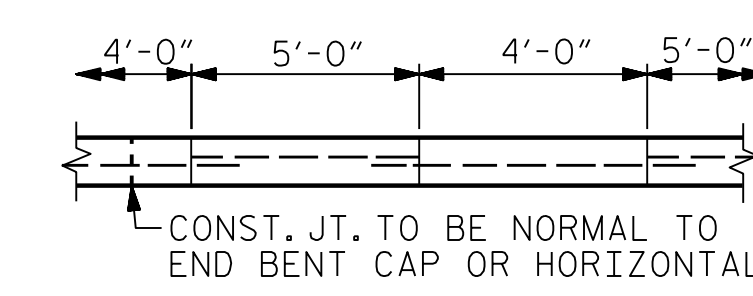
\* QUANTITY SHOWN IS BASED ON 5' POURS.



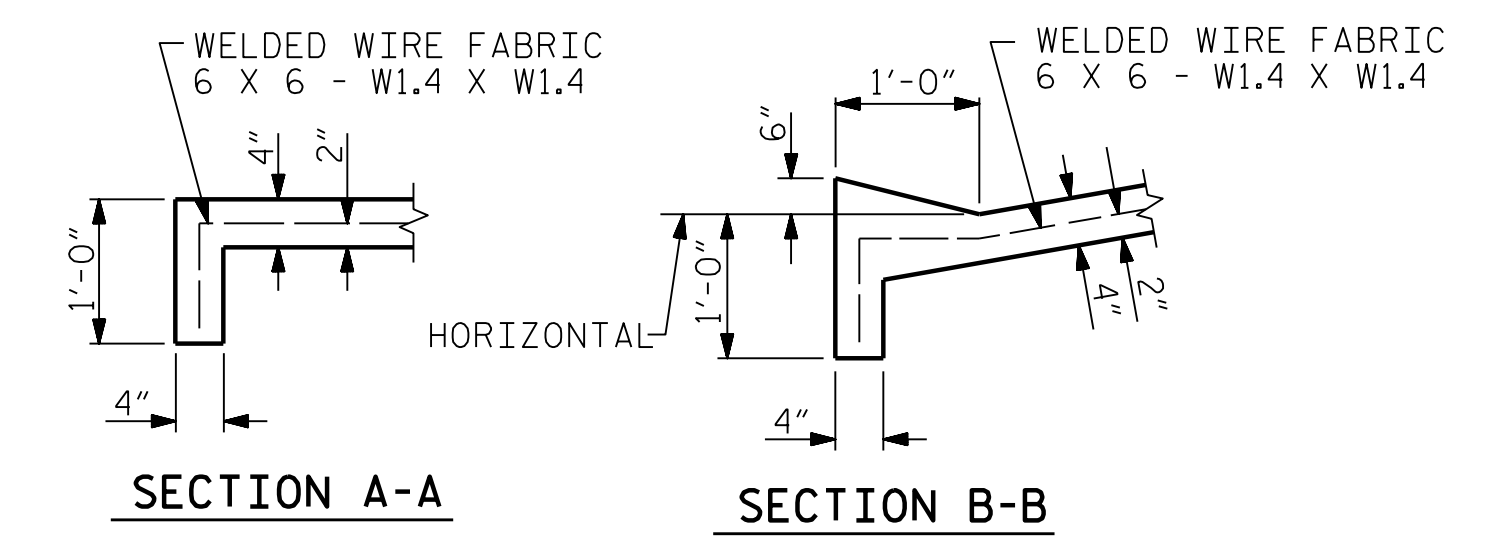
**SECTION ALONG C SURVEY WHEN FILL CATCHES IN DITCH**



**POURING DETAIL**



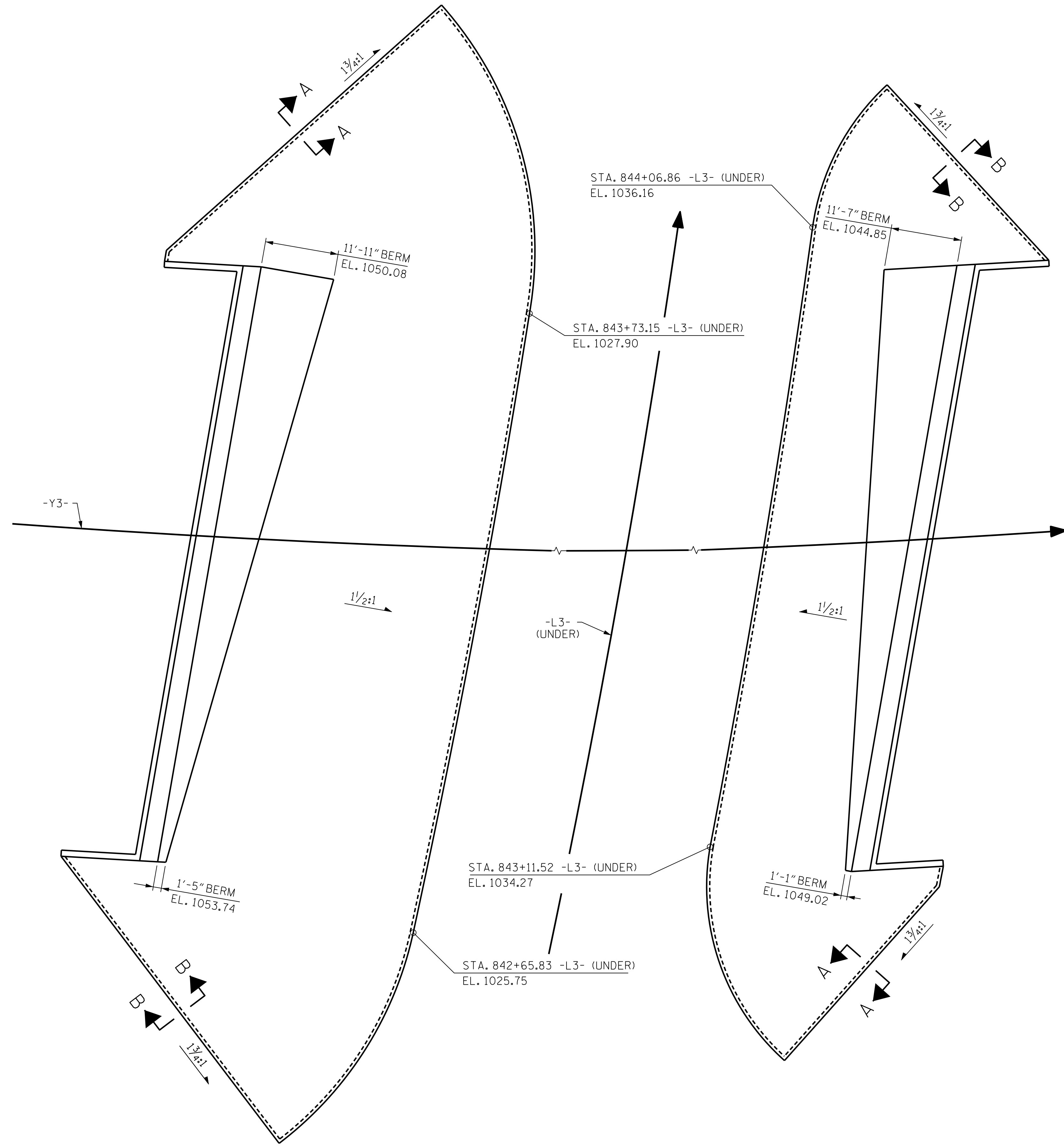
**OPTIONAL POURING DETAIL**



**SECTION A-A**

**SECTION B-B**

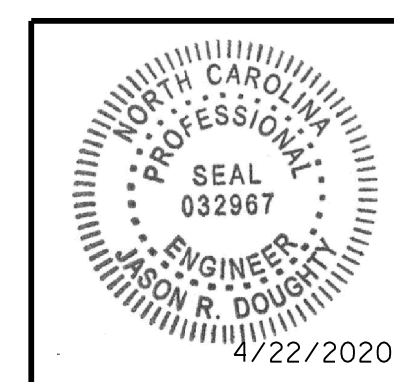
PROJECT NO. R-2233BB  
RUTHERFORD COUNTY  
 STATION: 26+65.52 -Y3-



**PLAN**

DRAWN BY : ELR 5/92	REV. 12/21/11	MAA/GM
CHECKED BY : GRP 6/92	REV. 1/16	MAA/TMG
	REV. 12/17	MAA/THC
DESIGNED BY : B. LOFLIN	DATE : AUG 2019	
DRAWN BY : K. WHITE	DATE : MAY 2019	
CHECKED BY : J. BORUTA	DATE : AUG 2019	
DESIGN ENGINEER OF RECORD : J. DOUGHTY	DATE : NOV 2019	

**MODJESKI and MASTERS**  
 Experience great bridges.  
 333 FAYETTEVILLE STREET, SUITE 500  
 RALEIGH, NC 27601  
 NC LICENSE NO. C-2979



STATE OF NORTH CAROLINA  
 DEPARTMENT OF TRANSPORTATION  
 RALEIGH

**SLOPE PROTECTION**

REVISIONS						SHEET NO.
NO.	BY:	DATE:	NO.	BY:	DATE:	TOTAL SHEETS
1			3			45
2			4			

**DOCUMENT NOT CONSIDERED FINAL UNLESS ALL SIGNATURES COMPLETED**

DocuSigned by:  
 Jason R Doughty  
 SF73FA2DEA974E8...

STR. #4

STD. NO. SP2

4/22/2020 404\_081\_R2233BB\_SML\_SP\_B00663.dgn