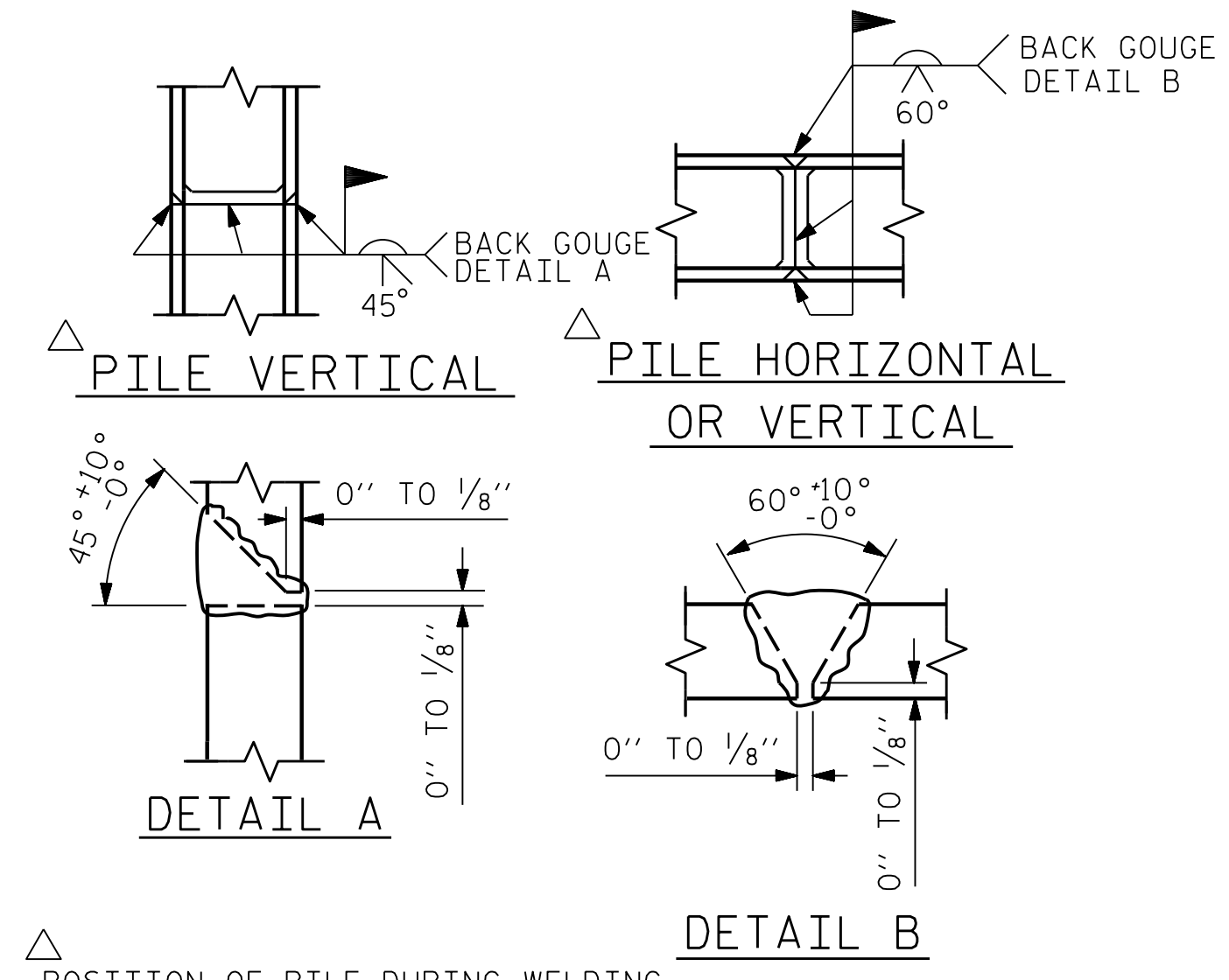


BAGGED STONE AND PIPE SHALL BE PLACED IMMEDIATELY AFTER COMPLETION OF END BENT EXCAVATION. PIPE MAY BE EITHER CONCRETE, CORRUGATED STEEL, CORRUGATED ALUMINUM ALLOY, OR CORRUGATED PLASTIC. PERFORATED PIPE WILL NOT BE ALLOWED.

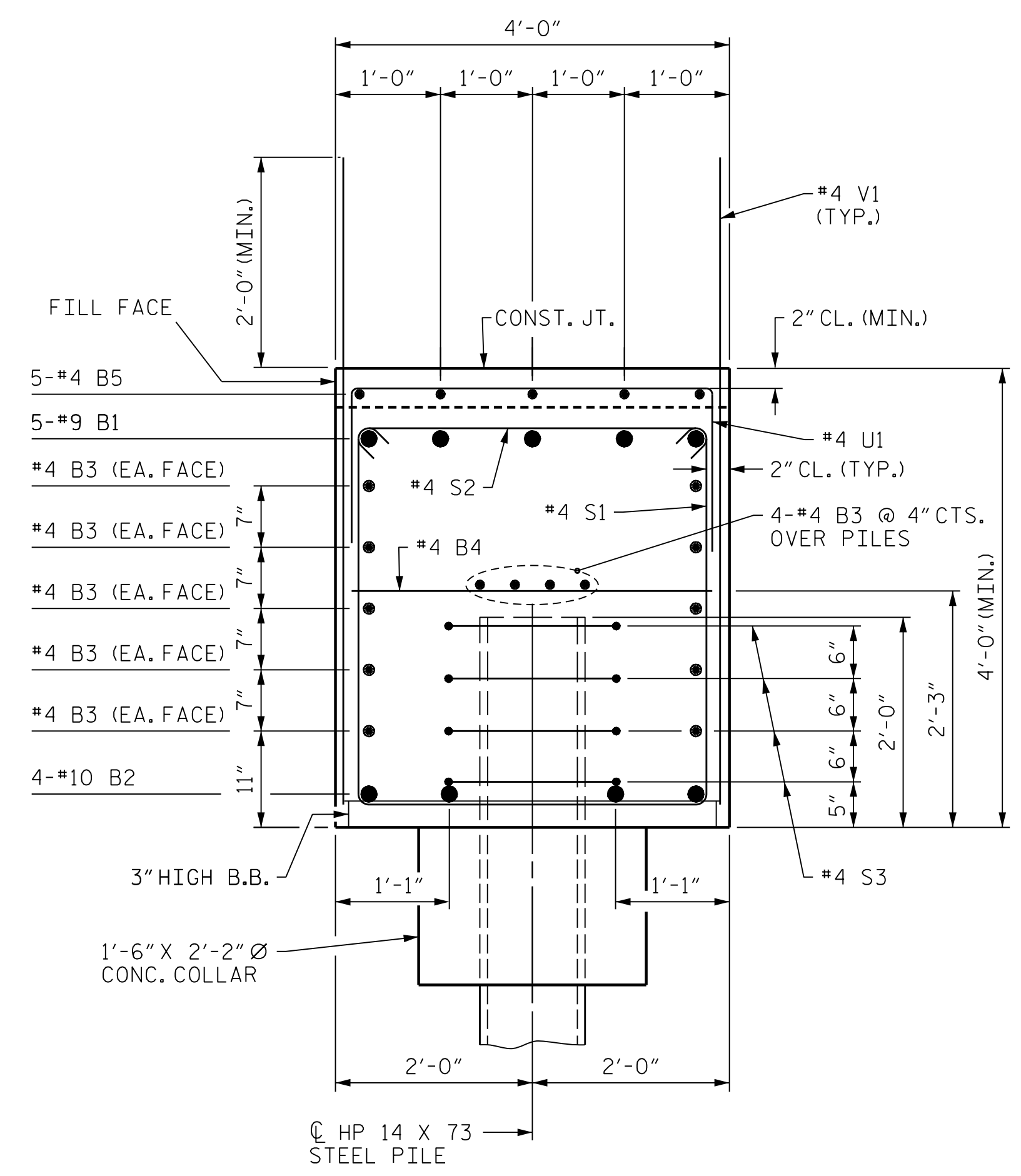
BAGGED STONE SHALL REMAIN IN PLACE UNTIL THE ENGINEER DIRECTS THAT IT BE REMOVED. THE CONTRACTOR SHALL REMOVE AND DISPOSE OF SILT ACCUMULATIONS AT BAGGED STONE WHEN SO DIRECTED BY THE ENGINEER. BAGS SHALL BE REMOVED AND REPLACED WHENEVER THE ENGINEER DETERMINES THAT THEY HAVE DETERIORATED AND LOST THEIR EFFECTIVENESS.

NO SEPARATE PAYMENT WILL BE MADE FOR THIS WORK AND THE ENTIRE COST OF THIS WORK SHALL BE INCLUDED IN THE UNIT CONTRACT PRICE BID FOR THE SEVERAL PAY ITEMS.

### TEMPORARY DRAINAGE AT END BENT



### PILE SPLICE DETAILS



### SECTION A-A

BAR TYPES				BILL OF MATERIAL			
BAR	NO.	SIZE	TYPE	LENGTH	WEIGHT		
B1	10	#9	1	53'-6"	1819		
B2	8	#10	1	54'-1"	1862		
B3	56	#4	STR	26'-10"	1004		
B4	25	#4	STR	3'-8"	61		
B5	40	#4	STR	8'-0"	214		
B6	5	#4	STR	13'-5"	45		
H1	23	#6	3	13'-1"	452		
H2	23	#6	3	12'-11"	446		
H3	22	#5	2	11'-5"	262		
H4	22	#5	2	11'-6"	264		
K1	16	#4	STR	2'-8"	29		
K2	16	#4	STR	2'-9"	29		
S1	98	#4	4	11'-8"	764		
S2	98	#4	5	4'-5"	289		
S3	60	#4	6	7'-0"	281		
U1	57	#4	7	6'-8"	254		
V1	116	#4	STR	6'-10"	530		
V2	6	#5	STR	11'-2"	70		
V3	8	#5	STR	11'-3"	94		
V4	18	#5	STR	11'-5"	214		
V5	20	#5	STR	10'-7"	221		
V6	10	#5	STR	10'-5"	109		
REINFORCING STEEL					LBS.	9313	
CLASS A CONCRETE							
POUR #1 CAP, LOWER WINGS & CONC. COLLARS					C.Y.	71.2	
POUR #2 UPPER PART OF WINGS					C.Y.	7.1	
TOTAL CLASS A CONCRETE					C.Y.	78.3	
HP 14x73 STEEL PILES NO. 15					LIN. FT.	565	
PILE DRIVING EQUIPMENT SETUP FOR HP 14x73 STEEL PILES					NO.	15	

ALL BAR DIMENSIONS ARE OUT TO OUT.

PROJECT NO. R-2233BB  
RUTHERFORD COUNTY  
 STATION: 26+65.52 -Y3-

SHEET 4 OF 4

STATE OF NORTH CAROLINA  
 DEPARTMENT OF TRANSPORTATION  
 RALEIGH  
 SUBSTRUCTURE  
 END BENT 2

**MODJESKI and MASTERS**  
 Experience great bridges.  
 333 FAYETTEVILLE STREET, SUITE 500  
 RALEIGH, NC 27601  
 NC LICENSE NO. C-2979

PROFESSIONAL ENGINEER  
 SEAL 032967  
 JASON R. DOUGHTY  
 4/22/2020

REVISIONS						SHEET NO.
NO.	BY:	DATE:	NO.	BY:	DATE:	
1			3			S4-42
2			4			TOTAL SHEETS 45

**DOCUMENT NOT CONSIDERED FINAL UNLESS ALL SIGNATURES COMPLETED**

DocuSigned by:  
 Jason R Doughty  
 SF73FA2DEA874E8...

STR. #4

4/22/2020 404\_079\_R2233BB\_SML\_E24\_800663.dgn

DESIGNED BY:	C. CORMAN	DATE:	JULY 2019
DRAWN BY:	A. HARLESS	DATE:	JULY 2019
CHECKED BY:	B. LOFLIN	DATE:	AUG 2019
DESIGN ENGINEER OF RECORD:	J. DOUGHTY	DATE:	NOV 2019