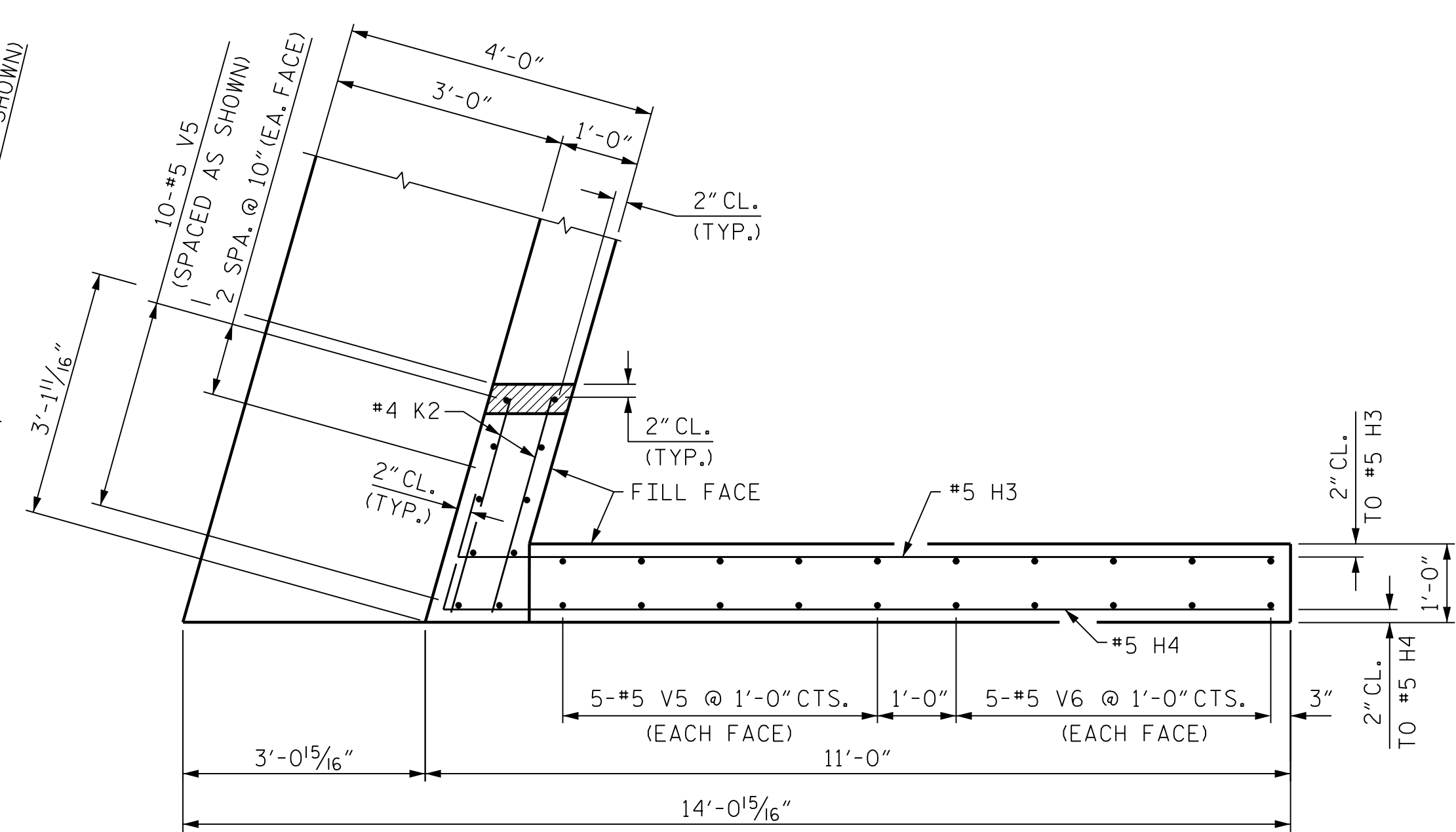
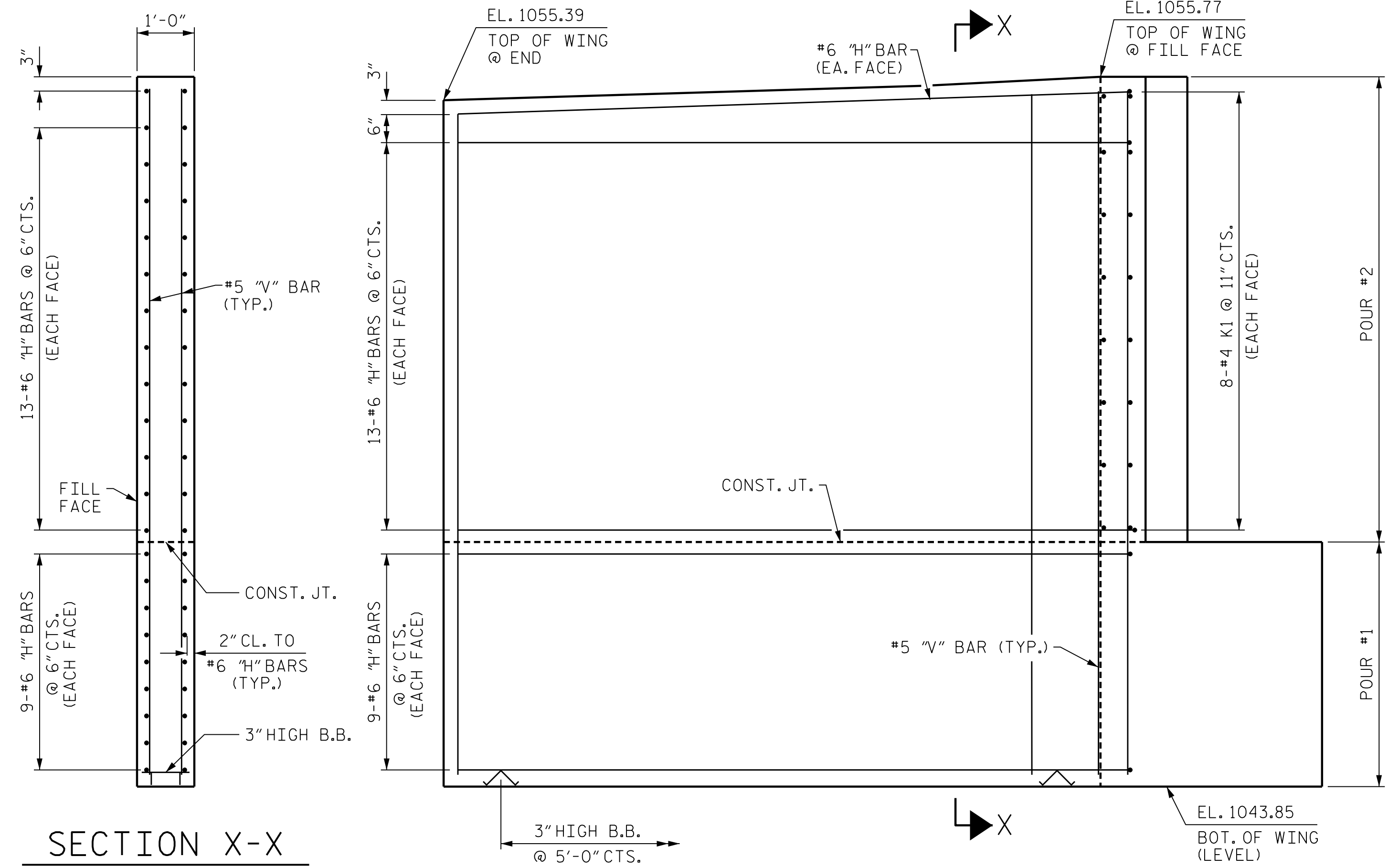


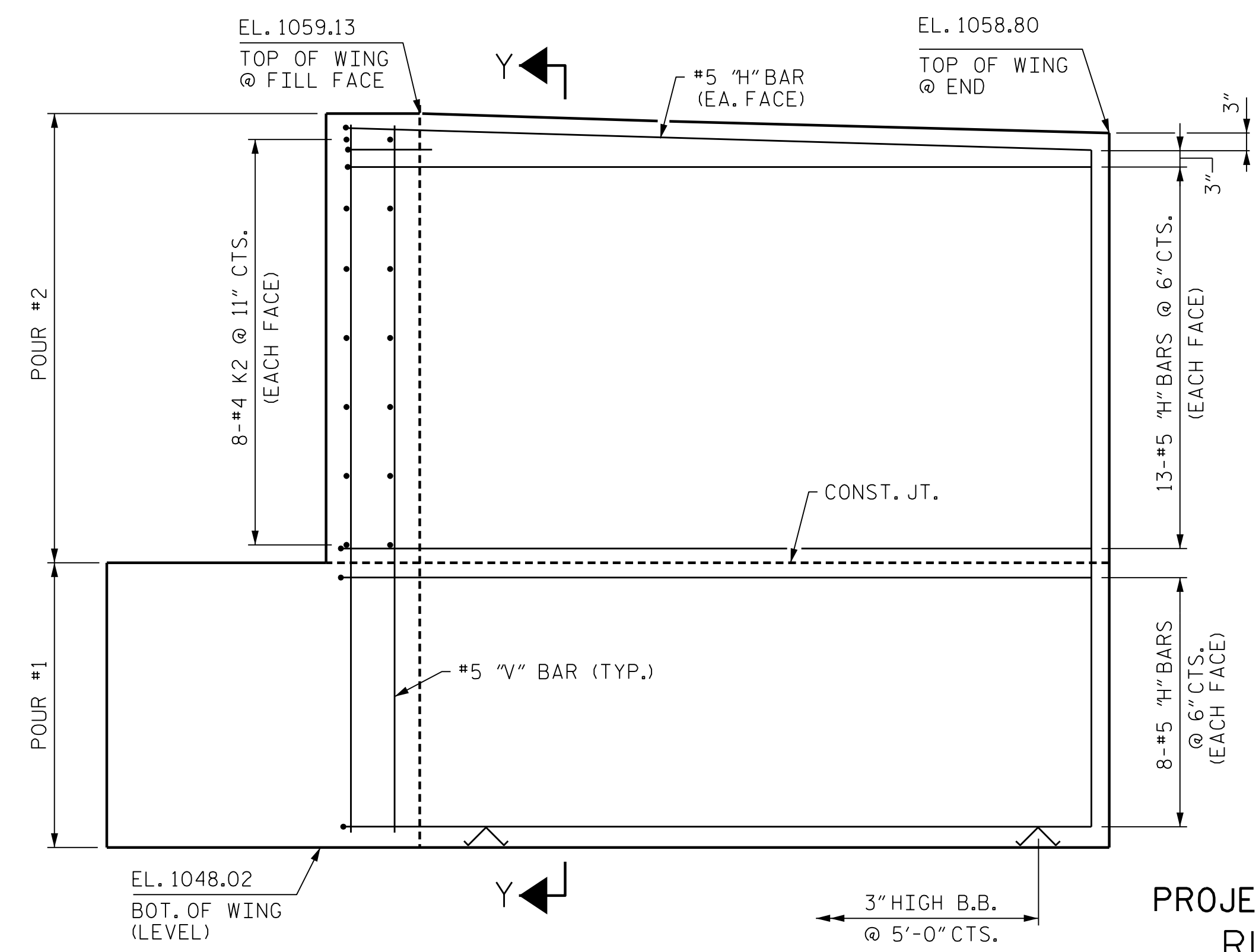
PLAN OF WING W3



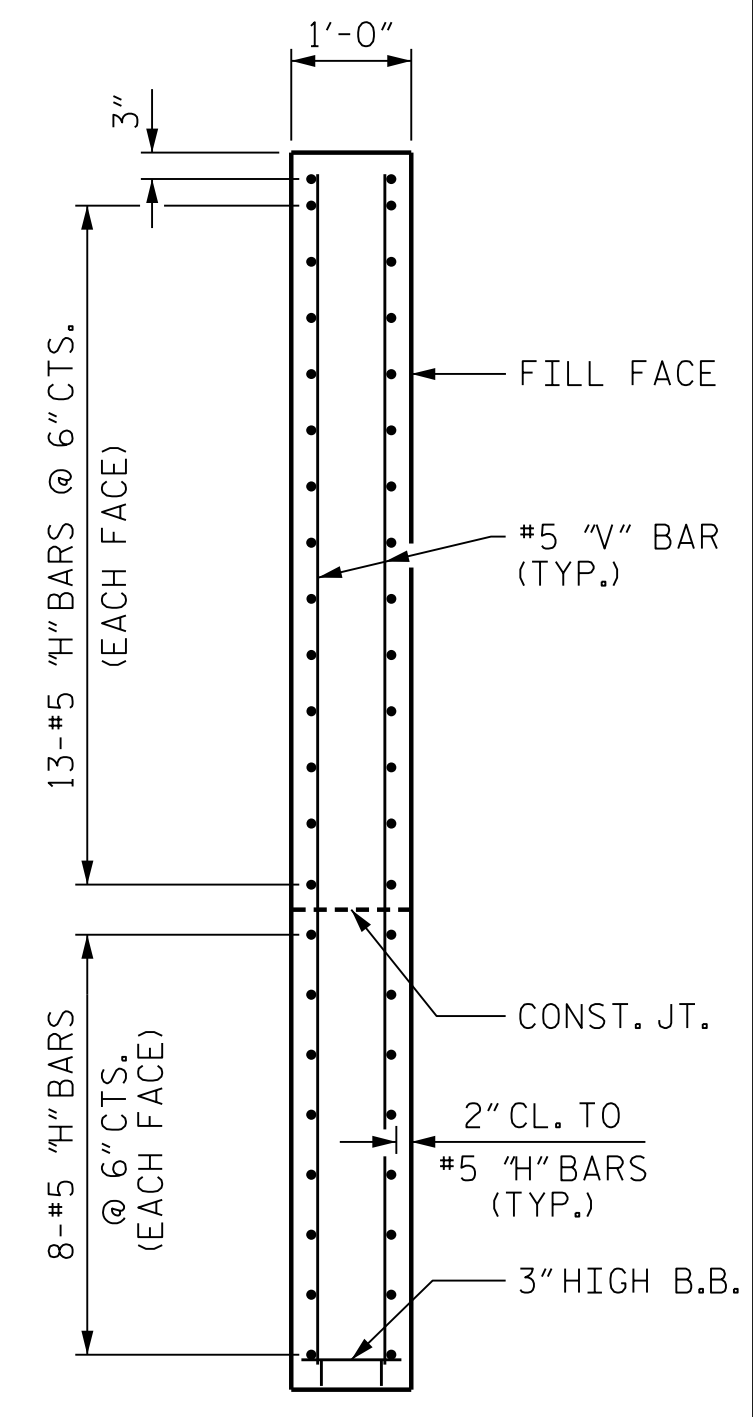
PLAN OF WING W4



ELEVATION OF WING W3



ELEVATION OF WING W4

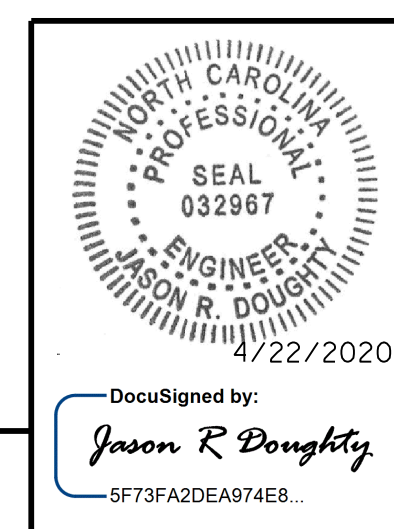


SECTION Y-Y

PROJECT NO. R-2233BB
 RUTHERFORD COUNTY
 STATION: 26+65.52 -Y3-

SHEET 3 OF 4

STATE OF NORTH CAROLINA		DEPARTMENT OF TRANSPORTATION		RALEIGH	
SUBSTRUCTURE		END BENT 2			
REVISIONS					
NO.	BY:	DATE:	NO.	BY:	DATE:
1			3		
2			4		
SHEET NO. S4-41					TOTAL SHEETS 45



DOCUMENT NOT CONSIDERED FINAL UNLESS ALL SIGNATURES COMPLETED

DESIGNED BY: C. CORMAN	DATE: JULY 2019
DRAWN BY: A. HARLESS	DATE: JULY 2019
CHECKED BY: B. LOFLIN	DATE: AUG 2019
DESIGN ENGINEER: J. DOUGHTY	DATE: NOV 2019

4/22/2020 404_077_R2233BB_SML_E23_800663.dgn