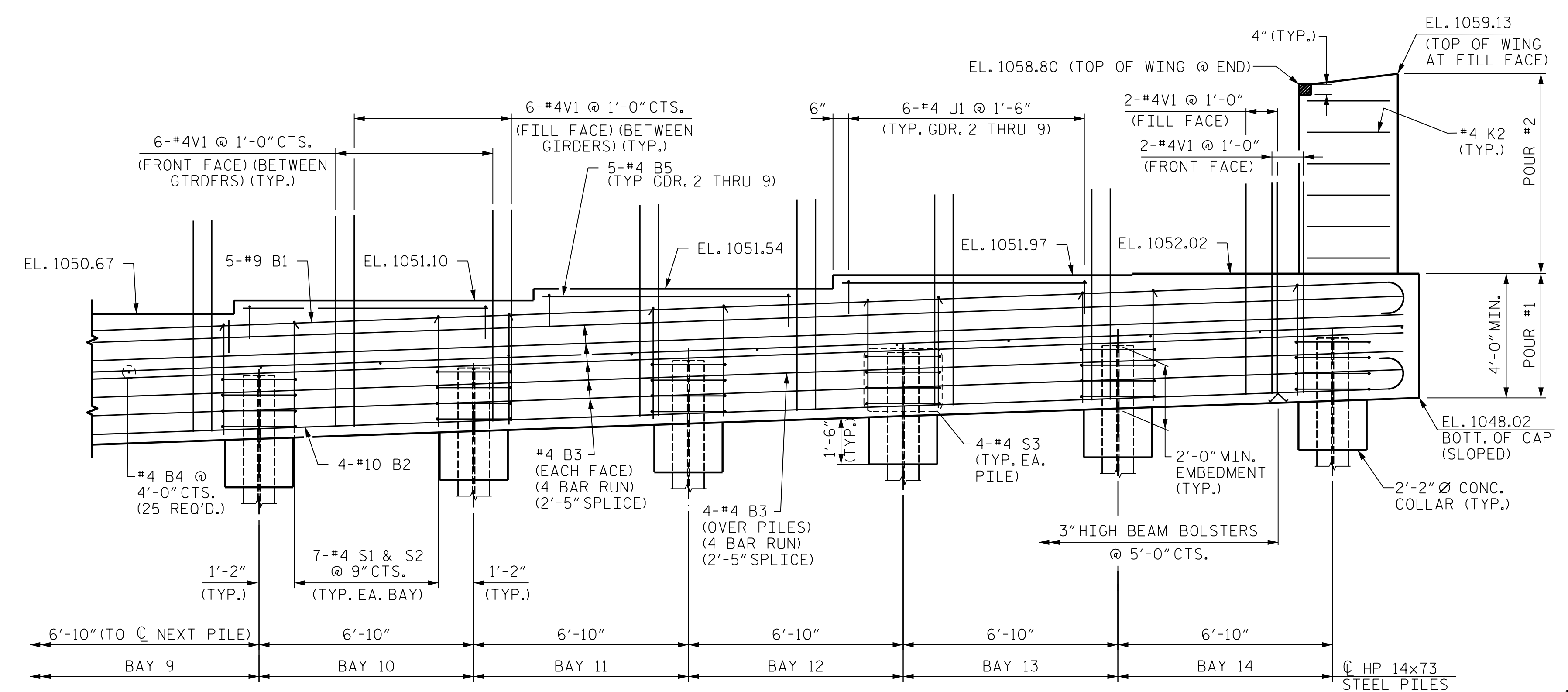


PLAN



ELEVATION

PROJECT NO. R-2233BB  
RUTHERFORD COUNTY  
 STATION: 26+65.52 -Y3-  
 SHEET 2 OF 4

STATE OF NORTH CAROLINA  
 DEPARTMENT OF TRANSPORTATION  
 RALEIGH  
 SUBSTRUCTURE  
 END BENT 2

REVISIONS						SHEET NO.
NO.	BY:	DATE:	NO.	BY:	DATE:	S4-40
1			3			TOTAL SHEETS 45
2			4			

**MODJESKI and MASTERS**  
 Experience great bridges.  
 333 FAYETTEVILLE STREET, SUITE 500  
 RALEIGH, NC 27601  
 NC LICENSE NO. C-2979

DocuSigned by:  
**Jason R. Doughty**  
 5F73FA2DEA974E8...  
 4/22/2020

4/22/2020  
 404\_075\_R2233BB\_SML\_E22\_800663.dgn

DESIGNED BY:	C. CORMAN	DATE:	JULY 2019
DRAWN BY:	A. HARLESS	DATE:	JULY 2019
CHECKED BY:	B. LOFLIN	DATE:	AUG 2019
DESIGN ENGINEER OF RECORD:	J. DOUGHTY	DATE:	NOV 2019

**DOCUMENT NOT CONSIDERED FINAL  
 UNLESS ALL SIGNATURES COMPLETED**