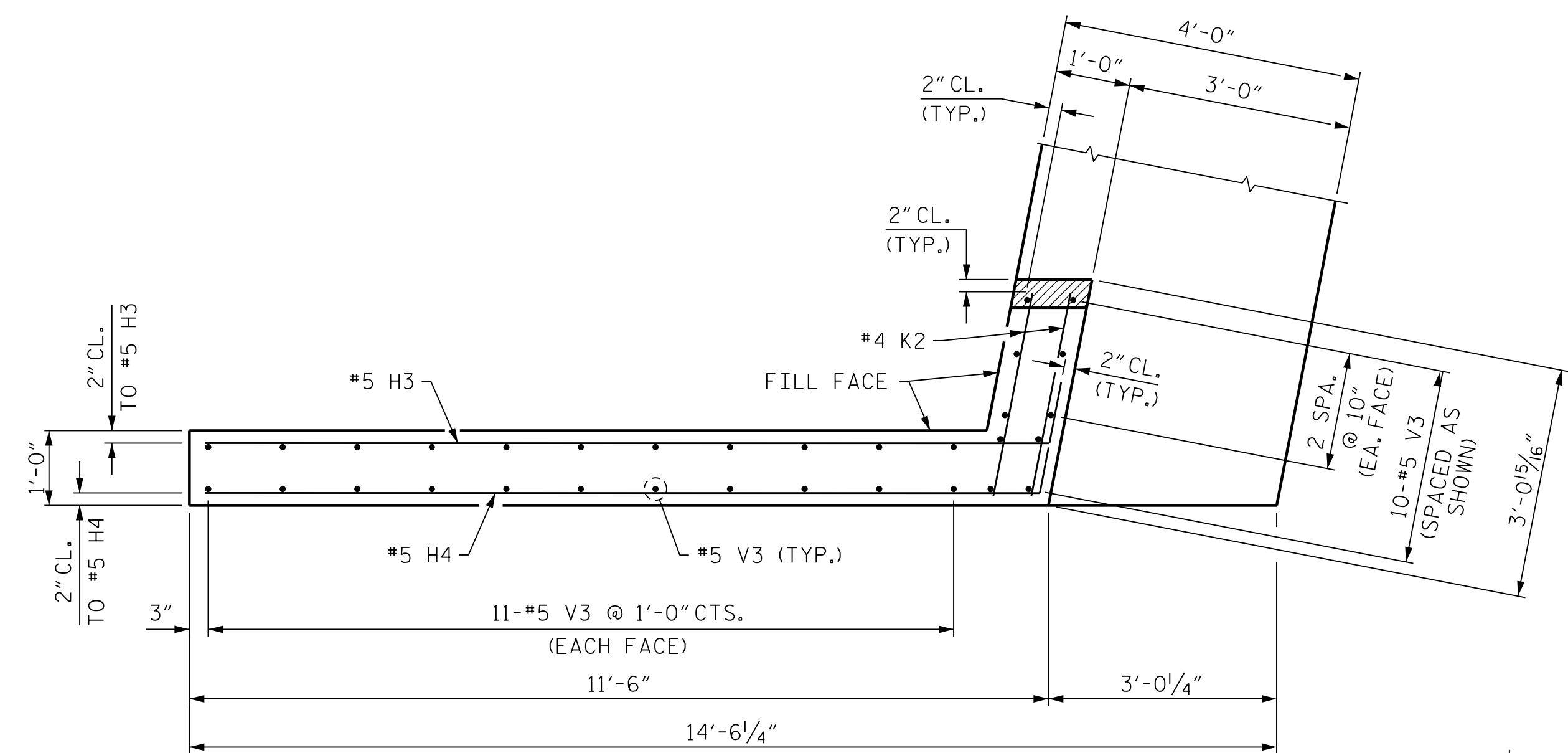
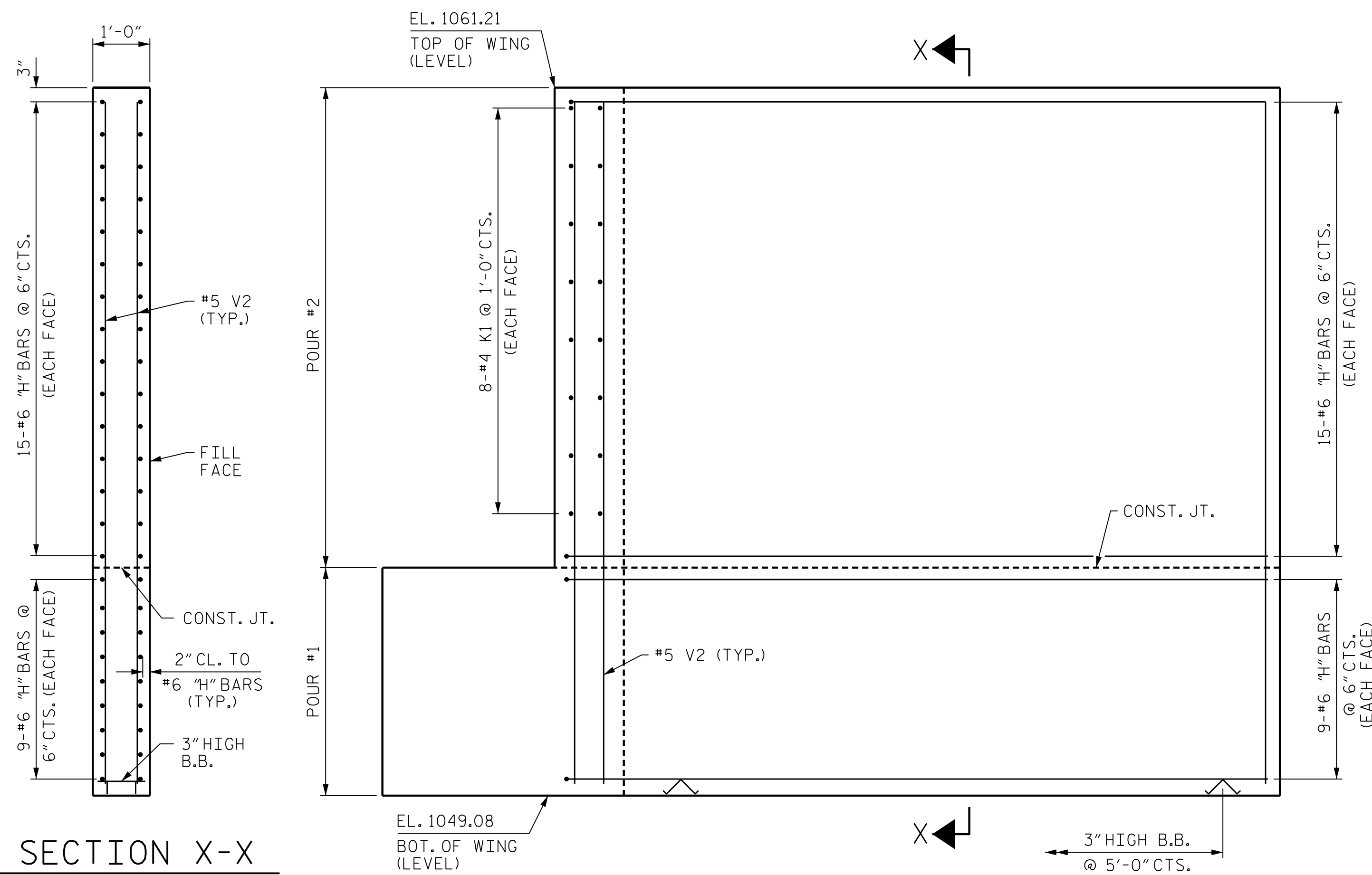


PLAN OF WING (W1)

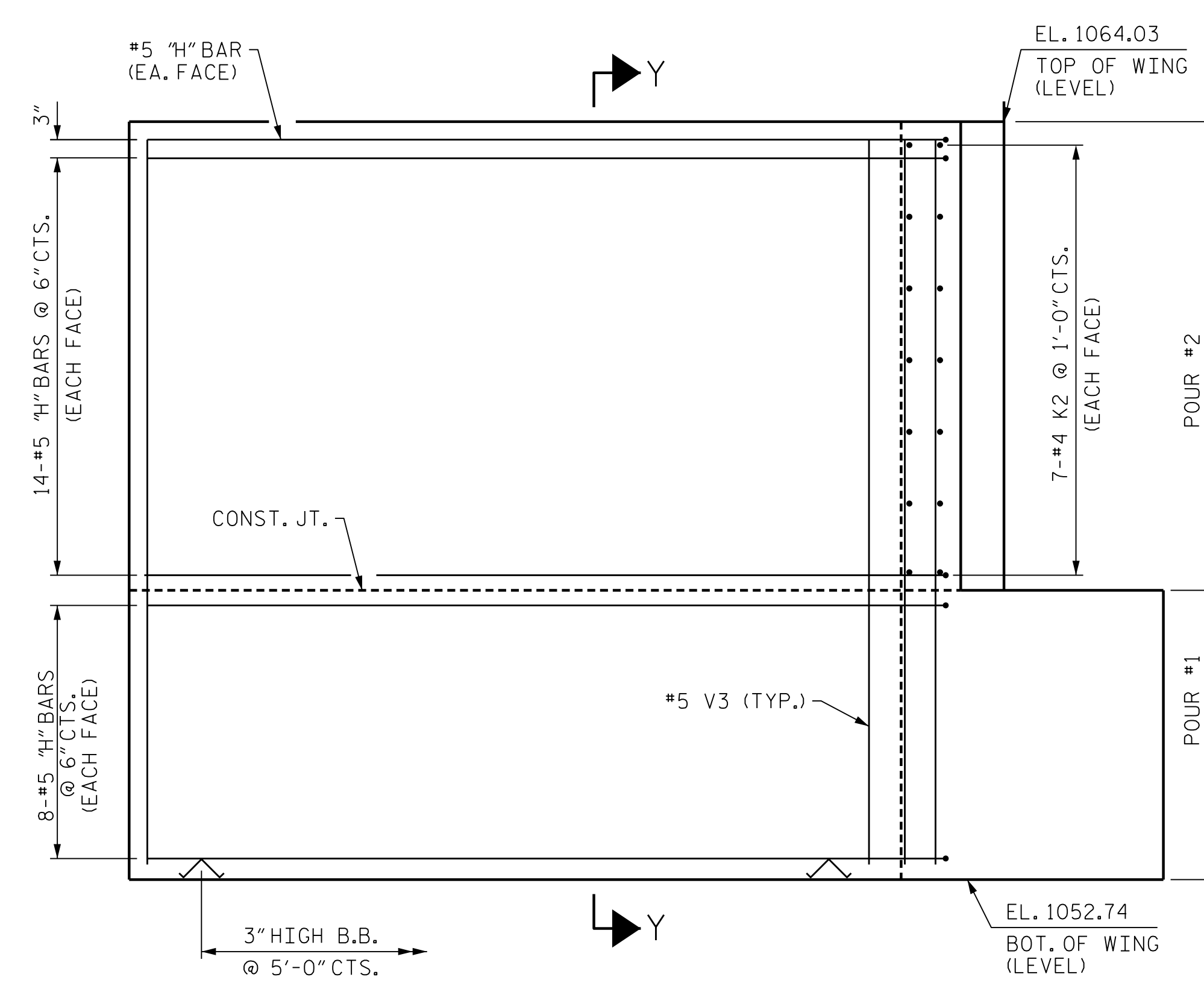


PLAN OF WING (W2)

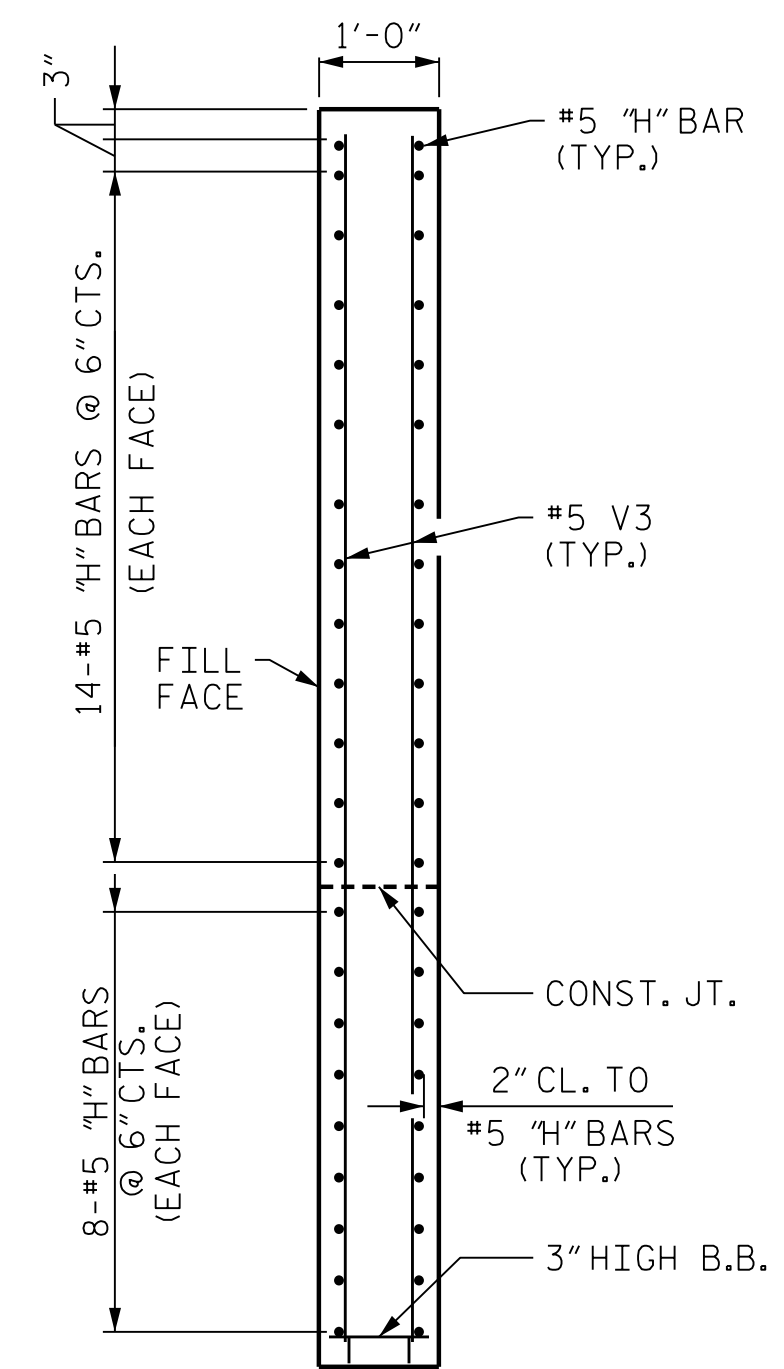


SECTION X-X

ELEVATION OF WING (W1)



ELEVATION OF WING (W2)



SECTION Y-Y

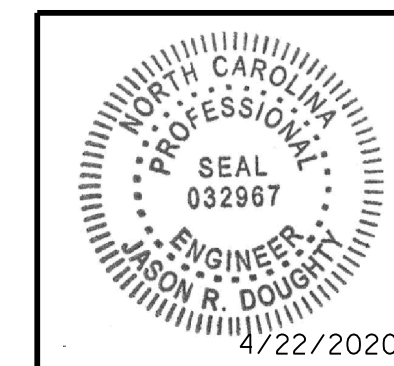
PROJECT NO. R-2233BB  
RUTHERFORD COUNTY  
 STATION: 26+65.52 -Y3-

SHEET 3 OF 4

STATE OF NORTH CAROLINA DEPARTMENT OF TRANSPORTATION RALEIGH					
SUBSTRUCTURE END BENT 1					
REVISIONS					
NO.	BY:	DATE:	NO.	BY:	DATE:
1			3		
2			4		
SHEET NO. S4-34					TOTAL SHEETS 45



333 FAYETTEVILLE STREET, SUITE 500  
 RALEIGH, NC 27601  
 NC LICENSE NO. C-2979



DocuSigned by:  
 Jason R Doughty  
 5F73FA2DEA974E8...

**DOCUMENT NOT CONSIDERED FINAL  
 UNLESS ALL SIGNATURES COMPLETED**

STR. #4

4/22/2020  
 404\_063\_R2233BB\_SMLLE13\_800663.dgn

DESIGNED BY: C. CORMAN DATE: JULY 2019  
 DRAWN BY: A. HARLESS DATE: JULY 2019  
 CHECKED BY: B. LOFLIN DATE: AUG 2019  
 DESIGN ENGINEER OF RECORD: J. DOUGHTY DATE: NOV 2019