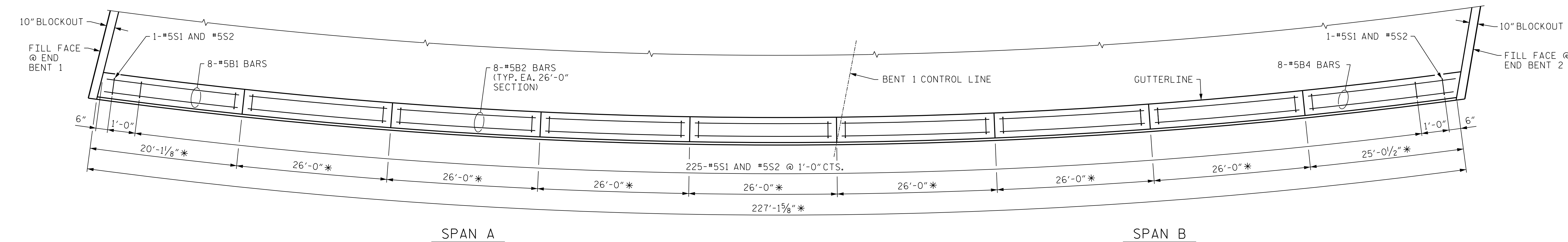


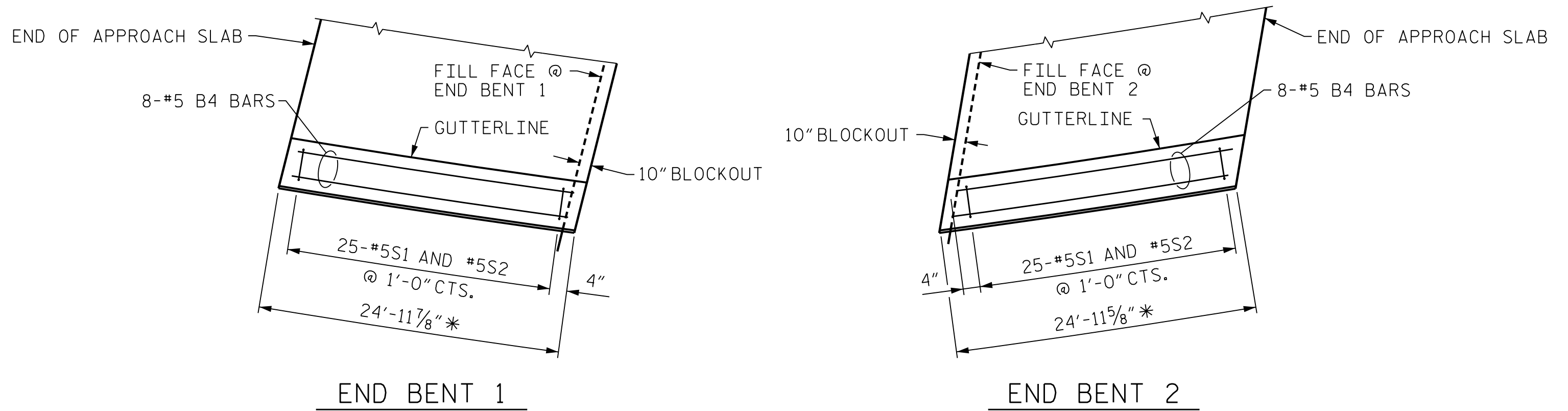
**PARAPET LAYOUT - LEFT**

\* MEASURED ALONG OUTSIDE EDGE OF PARAPET



**PARAPET LAYOUT - RIGHT**

\* MEASURED ALONG OUTSIDE EDGE OF PARAPET  
NO END POSTS ON RIGHT SIDE



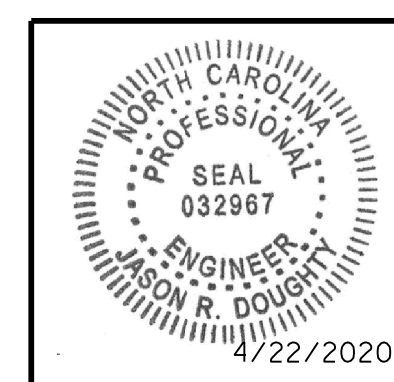
**PARAPET LAYOUT - APPROACH SLABS - RIGHT SIDE ONLY**

\* MEASURED ALONG OUTSIDE EDGE OF PARAPET

PROJECT NO. R-2233BB  
RUTHERFORD COUNTY  
 STATION: 26+65.52 -Y3-

SHEET 1 OF 2

STATE OF NORTH CAROLINA DEPARTMENT OF TRANSPORTATION RALEIGH					
<b>CONCRETE PARAPET DETAILS</b>					
SHEET NO. <b>S4-22</b>					
REVISIONS					
NO.	BY:	DATE:	NO.	BY:	DATE:
1			3		
2			4		
TOTAL SHEETS 45					



**DOCUMENT NOT CONSIDERED FINAL  
UNLESS ALL SIGNATURES COMPLETED**

DESIGNED BY: <u>C. CORMAN</u>	DATE: <u>JULY 2019</u>
DRAWN BY: <u>K. WHITE</u>	DATE: <u>JULY 2019</u>
CHECKED BY: <u>B. LOFLIN</u>	DATE: <u>AUG 2019</u>
DESIGN ENGINEER OF RECORD: <u>J. DOUGHTY</u>	DATE: <u>NOV 2019</u>

4/22/2020 404\_041\_R2233BB\_SML\_CPL\_800663.dgn

STR. #4