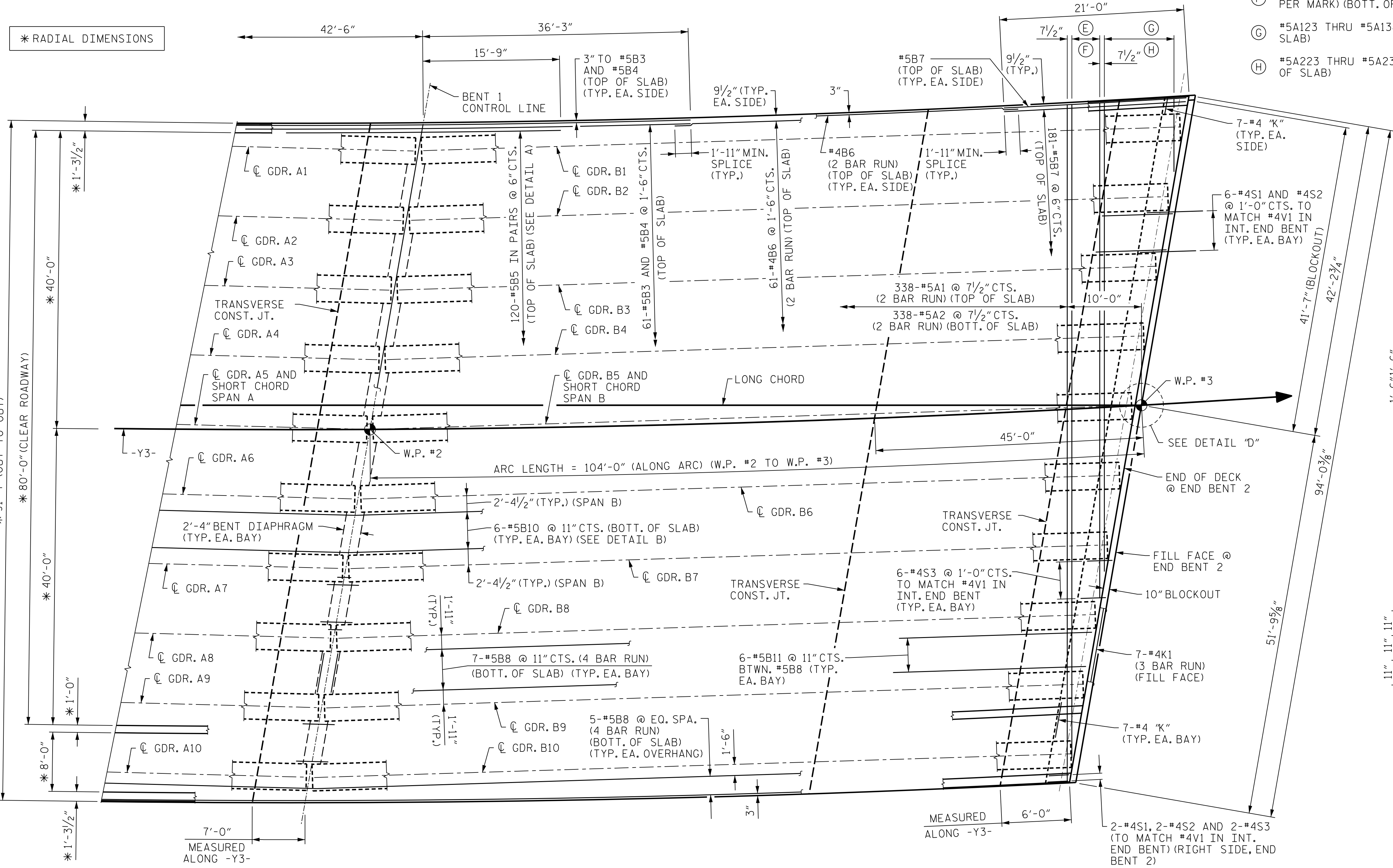


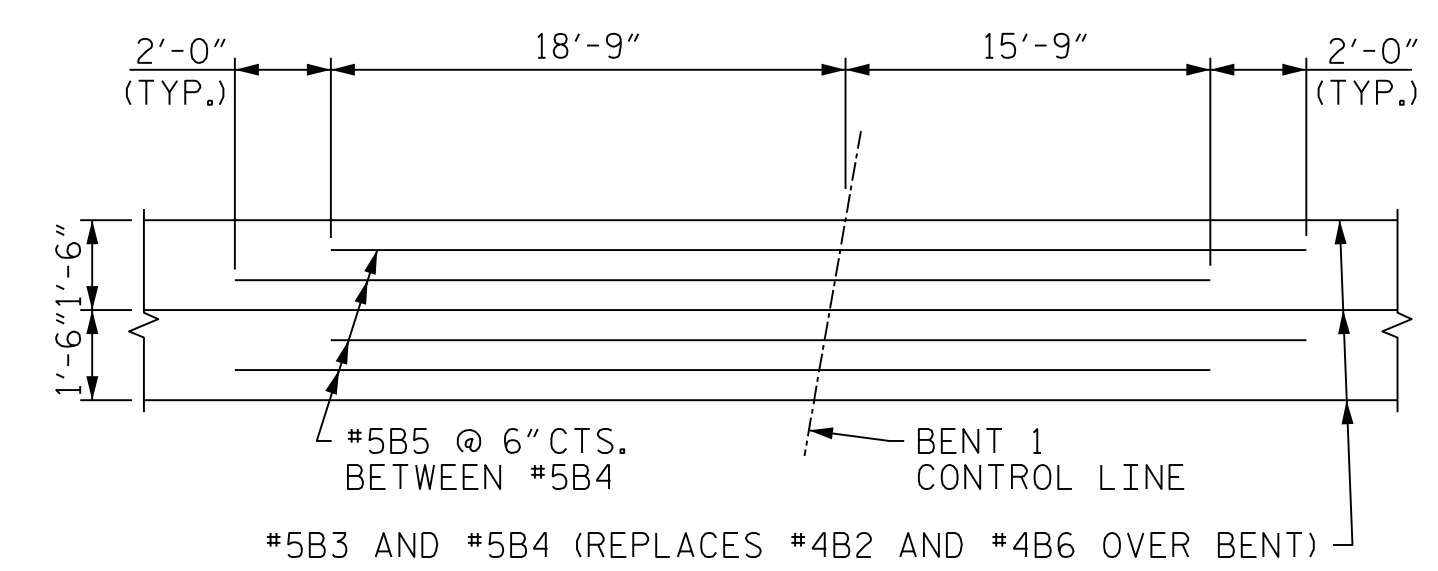
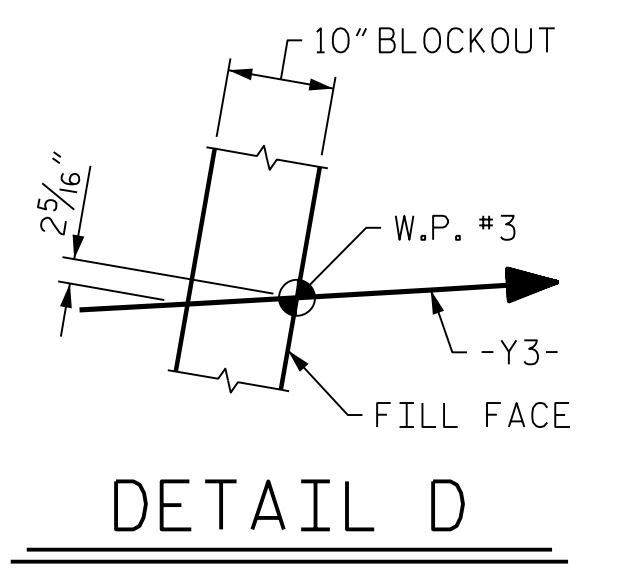
- (E) #5A120 THRU #5A122 @ 7 1/2" CTS. (3 BARS PER MARK) (TOP OF SLAB) (2 BAR RUN)
- (F) #5A220 THRU #5A222 @ 7 1/2" CTS. (3 BARS PER MARK) (BOT. OF SLAB) (2 BAR RUN)
- (G) #5A123 THRU #5A138 @ 7 1/2" CTS. (TOP OF SLAB)
- (H) #5A223 THRU #5A238 @ 7 1/2" CTS. (BOT. OF SLAB)



\* RADIAL DIMENSIONS

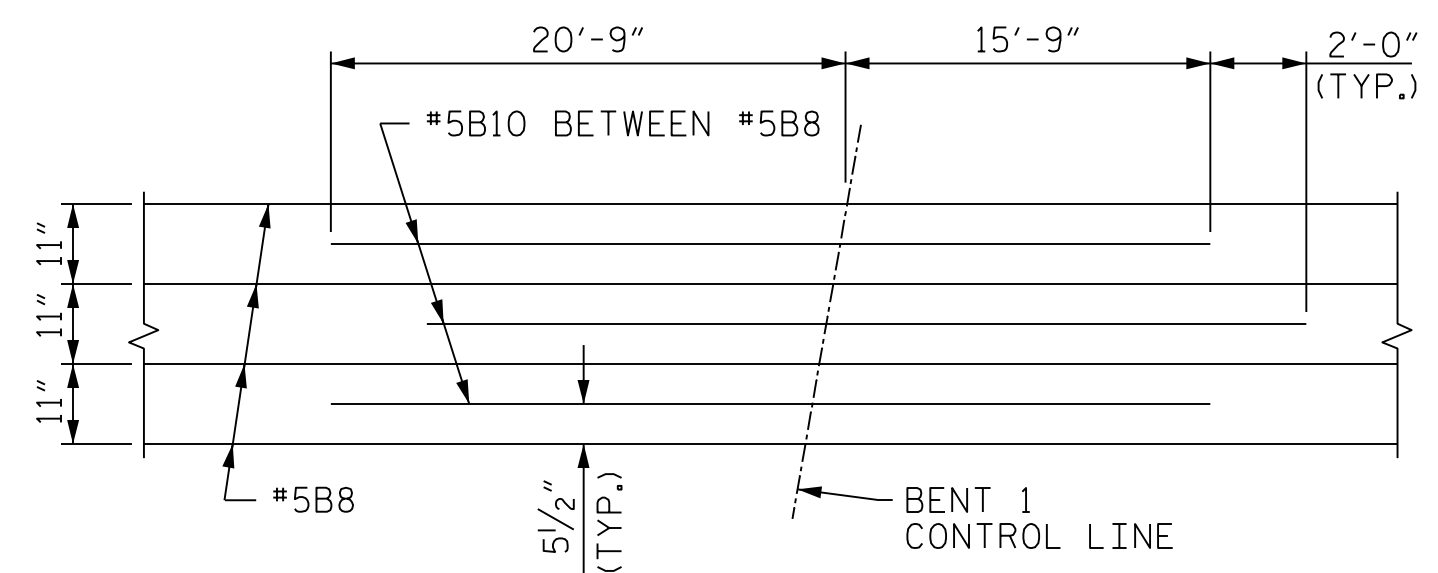
### PLAN - SPAN B

"A" BARS TO BE PLACED PERPENDICULAR TO AND ALONG LONG CHORD



### DETAIL A

TOP OF DECK BARS



### DETAIL B

BOTTOM OF DECK BARS

PROJECT NO. R-2233BB  
RUTHERFORD COUNTY  
 STATION: 26+65.52 -Y3-

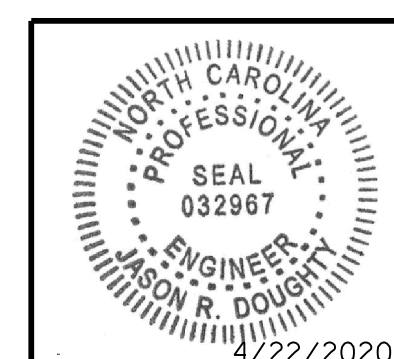
SHEET 2 OF 2

STATE OF NORTH CAROLINA DEPARTMENT OF TRANSPORTATION RALEIGH					
SUPERSTRUCTURE PLAN OF SPAN B					
REVISIONS					
NO.	BY:	DATE:	NO.	BY:	DATE:
1			3		
2			4		
SHEET NO. <u>S4-12</u>					TOTAL SHEETS <u>45</u>



333 FAYETTEVILLE STREET, SUITE 500  
 RALEIGH, NC 27601  
 NC LICENSE NO. C-2979

DOCUMENT NOT CONSIDERED FINAL UNLESS ALL SIGNATURES COMPLETED



DocuSigned by:  
*Jason R Doughty*  
 5F73FA2DEA974E...

DESIGNED BY:	J. BORUTA	DATE:	JULY 2019
DRAWN BY:	K. WHITE	DATE:	JULY 2019
CHECKED BY:	B. LOFLIN	DATE:	AUG 2019
DESIGN ENGINEER OF RECORD:	J. DOUGHTY	DATE:	NOV 2019

4/22/2020 404\_023\_R2233BB\_SML\_S2\_800663.dgn

STR. #4