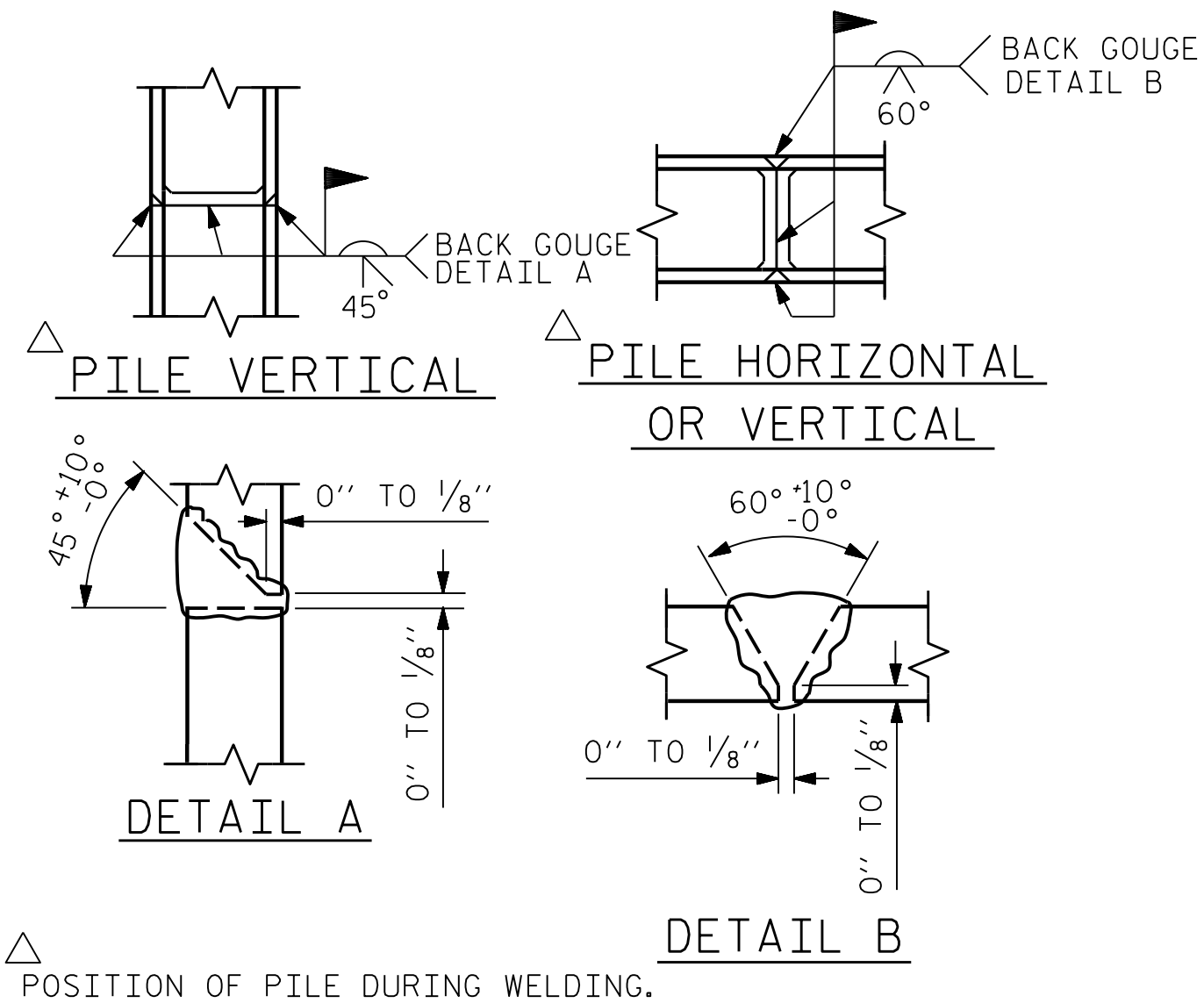


BAGGED STONE AND PIPE SHALL BE PLACED IMMEDIATELY AFTER COMPLETION OF END BENT EXCAVATION. PIPE MAY BE EITHER CONCRETE, CORRUGATED STEEL, CORRUGATED ALUMINUM ALLOY, OR CORRUGATED PLASTIC. PERFORATED PIPE WILL NOT BE ALLOWED.

BAGGED STONE SHALL REMAIN IN PLACE UNTIL THE ENGINEER DIRECTS THAT IT BE REMOVED. THE CONTRACTOR SHALL REMOVE AND DISPOSE OF SILT ACCUMULATIONS AT BAGGED STONE WHEN SO DIRECTED BY THE ENGINEER. BAGS SHALL BE REMOVED AND REPLACED WHENEVER THE ENGINEER DETERMINES THAT THEY HAVE DETERIORATED AND LOST THEIR EFFECTIVENESS.

NO SEPARATE PAYMENT WILL BE MADE FOR THIS WORK AND THE ENTIRE COST OF THIS WORK SHALL BE INCLUDED IN THE UNIT CONTRACT PRICE BID FOR THE SEVERAL PAY ITEMS.

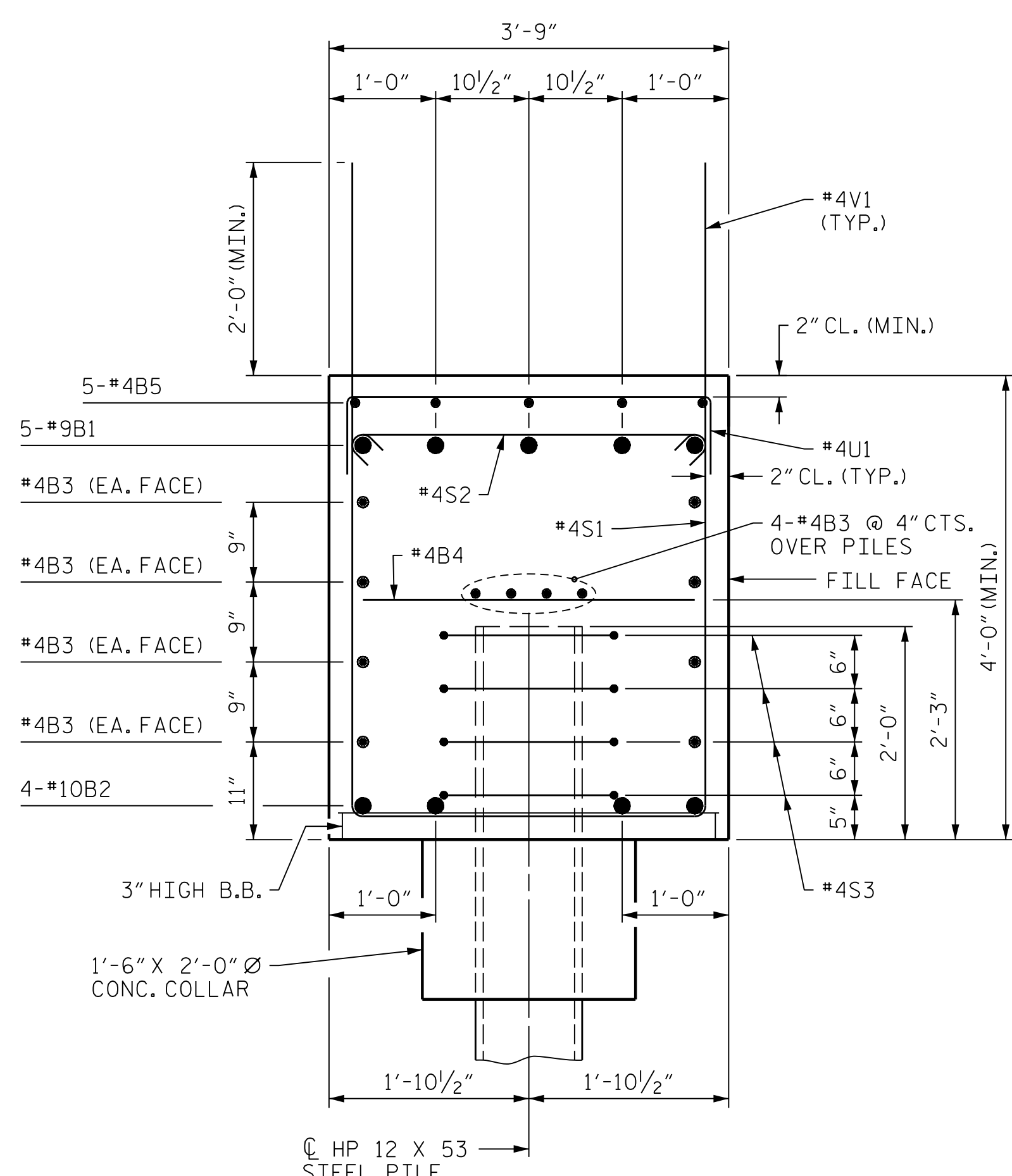
TEMPORARY DRAINAGE AT END BENT



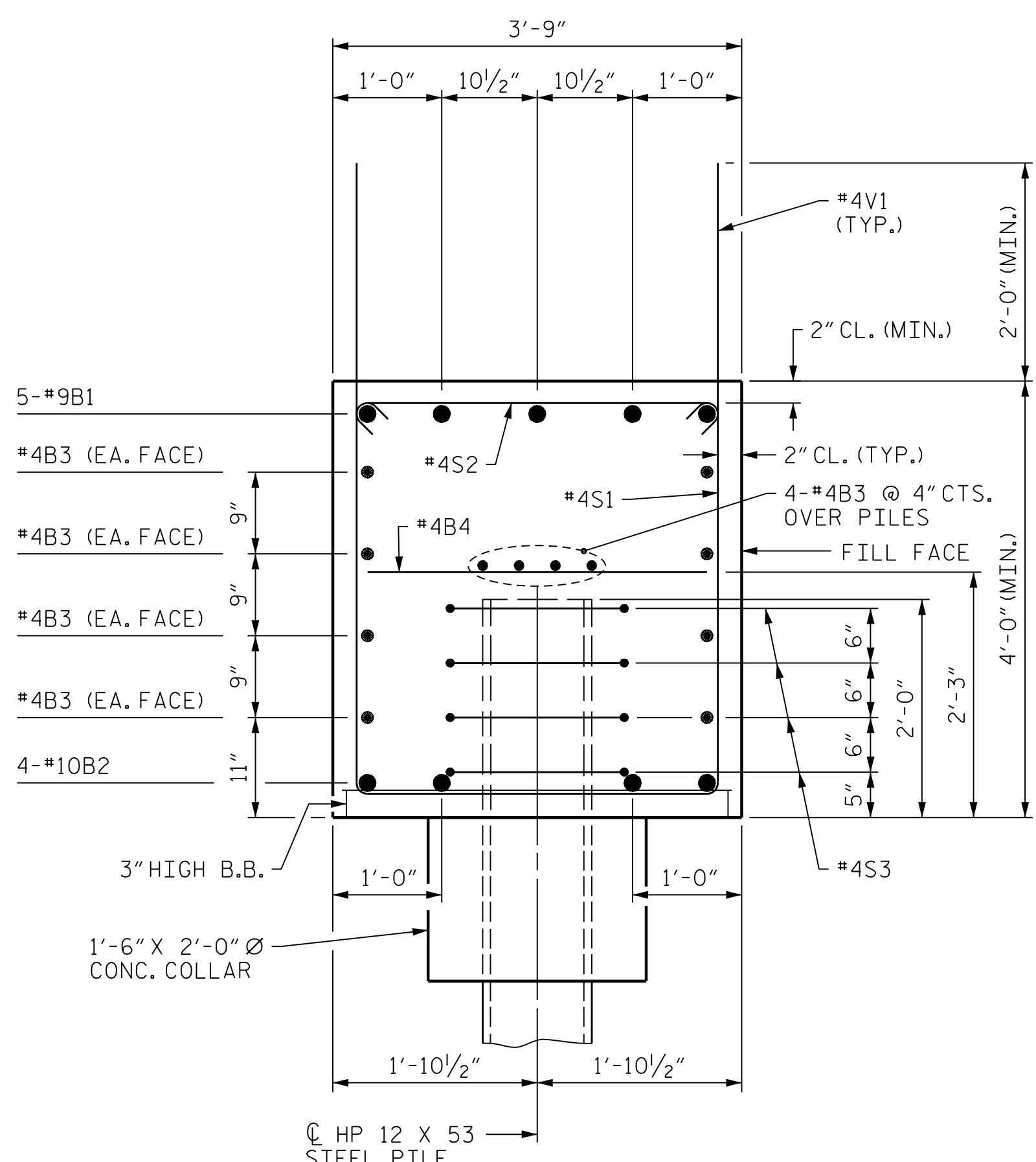
PILE SPLICE DETAILS

BAR TYPES				BILL OF MATERIAL		
BAR	NO.	SIZE	TYPE	LENGTH	WEIGHT	
B1	5	#9	1	54'-8"	929	
B2	4	#10	1	55'-0"	947	
B3	24	#4	STR	27'-4"	438	
B4	13	#4	STR	3'-5"	30	
B5	5	#4	STR	26'-10"	90	
H1	21	#5	3	12'-1"	265	
H2	21	#5	3	11'-11"	261	
H3	21	#5	2	11'-2"	245	
H4	21	#5	2	11'-4"	248	
K1	12	#4	STR	4'-1"	33	
K2	12	#4	STR	4'-2"	33	
S1	56	#4	4	11'-5"	427	
S2	56	#4	5	4'-2"	156	
S3	36	#4	6	6'-6"	156	
U1	18	#4	7	6'-5"	77	
V1	70	#4	STR	6'-3"	292	
V2	12	#5	STR	10'-1"	126	
V3	10	#5	STR	10'-2"	106	
V4	12	#5	STR	10'-4"	129	
V5	12	#5	STR	9'-10"	123	
V6	10	#5	STR	9'-11"	103	
V7	10	#5	STR	10'-0"	104	
REINFORCING STEEL				LBS.	5318	
CLASS A CONCRETE						
POUR #1 CAP LOWER WINGS & CONC. COLLARS				C.Y.	35.5	
POUR #2 UPPER PART OF WINGS				C.Y.	6.8	
TOTAL CLASS A CONCRETE				C.Y.	42.3	
HP 12x53 STEEL PILES						
NO. 9				LIN. FT.	675	
PILE DRIVING EQUIPMENT SETUP FOR HP 12 x 53 STEEL PILES				NO.	9	

ALL BAR DIMENSIONS ARE OUT TO OUT.



SECTION A-A



SECTION B-B

PROJECT NO. R-2233BB
 RUTHERFORD COUNTY
 STATION: 20+88.94 -Y19-
 SHEET 3 OF 3

STATE OF NORTH CAROLINA					
DEPARTMENT OF TRANSPORTATION					
RALEIGH					
SUBSTRUCTURE					
END BENT 2					
REVISIONS					
NO.	BY:	DATE:	NO.	BY:	DATE:
1			3		
2			4		
SHEET NO. S3-30					
TOTAL SHEETS 34					

MODJESKI and MASTERS
 Experience great bridges.
 333 FAYETTEVILLE STREET, SUITE 500
 RALEIGH, NC 27601
 NC LICENSE NO. C-2979

DocuSigned by:
Jason R. Doughty
 5F73FA2DEA974E8...

DOCUMENT NOT CONSIDERED FINAL UNLESS ALL SIGNATURES COMPLETED

STR. #3

4/22/2020 403_059_R2233BB_SML.E23_800662.dgn

DESIGNED BY: C. CORMAN DATE: JULY 2019
 DRAWN BY: K. WHITE DATE: JULY 2019
 CHECKED BY: J. BORUTA DATE: AUG 2019
 DESIGN ENGINEER OF RECORD: J. DOUGHTY DATE: NOV 2019