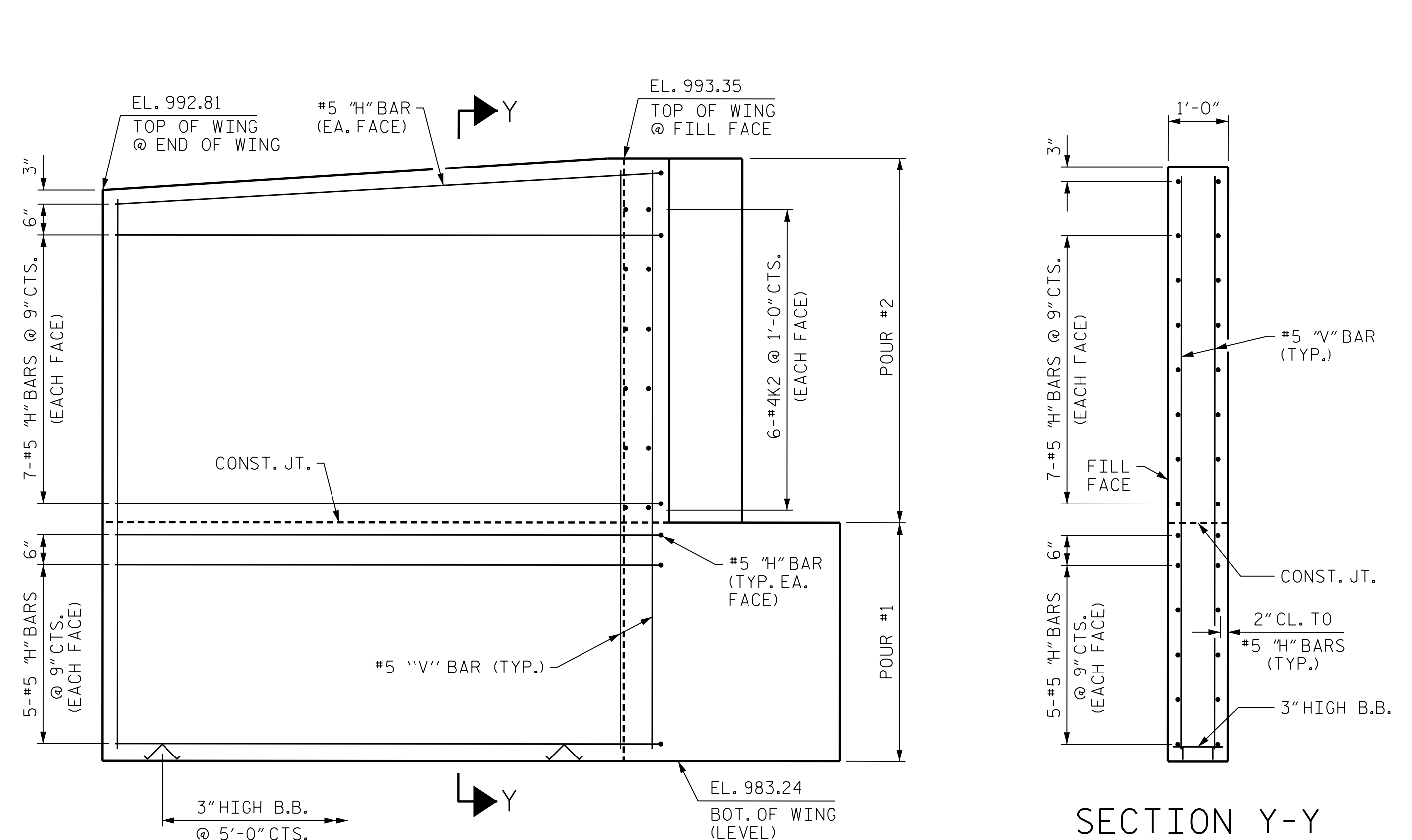


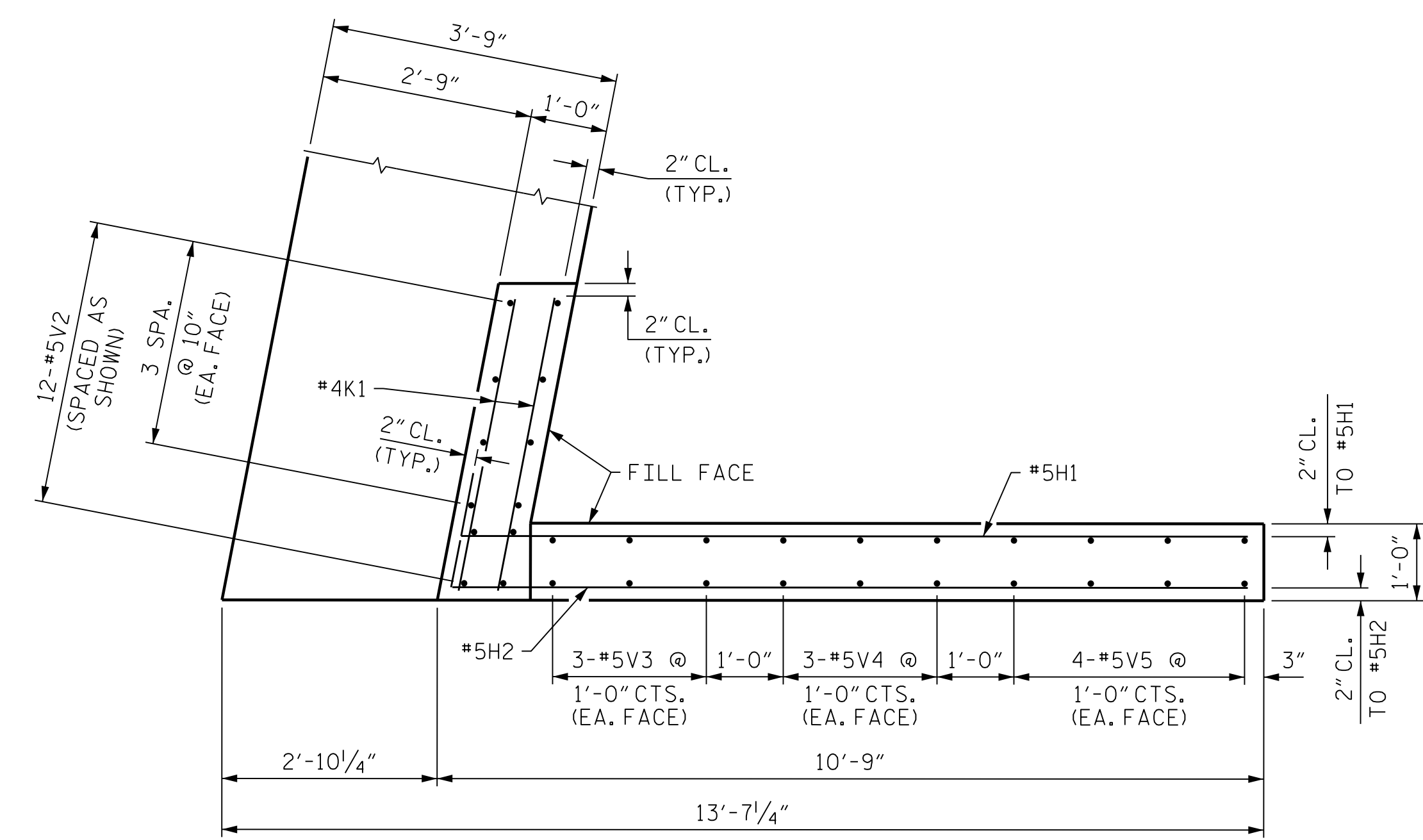
SECTION X-X

ELEVATION OF WING (W1)

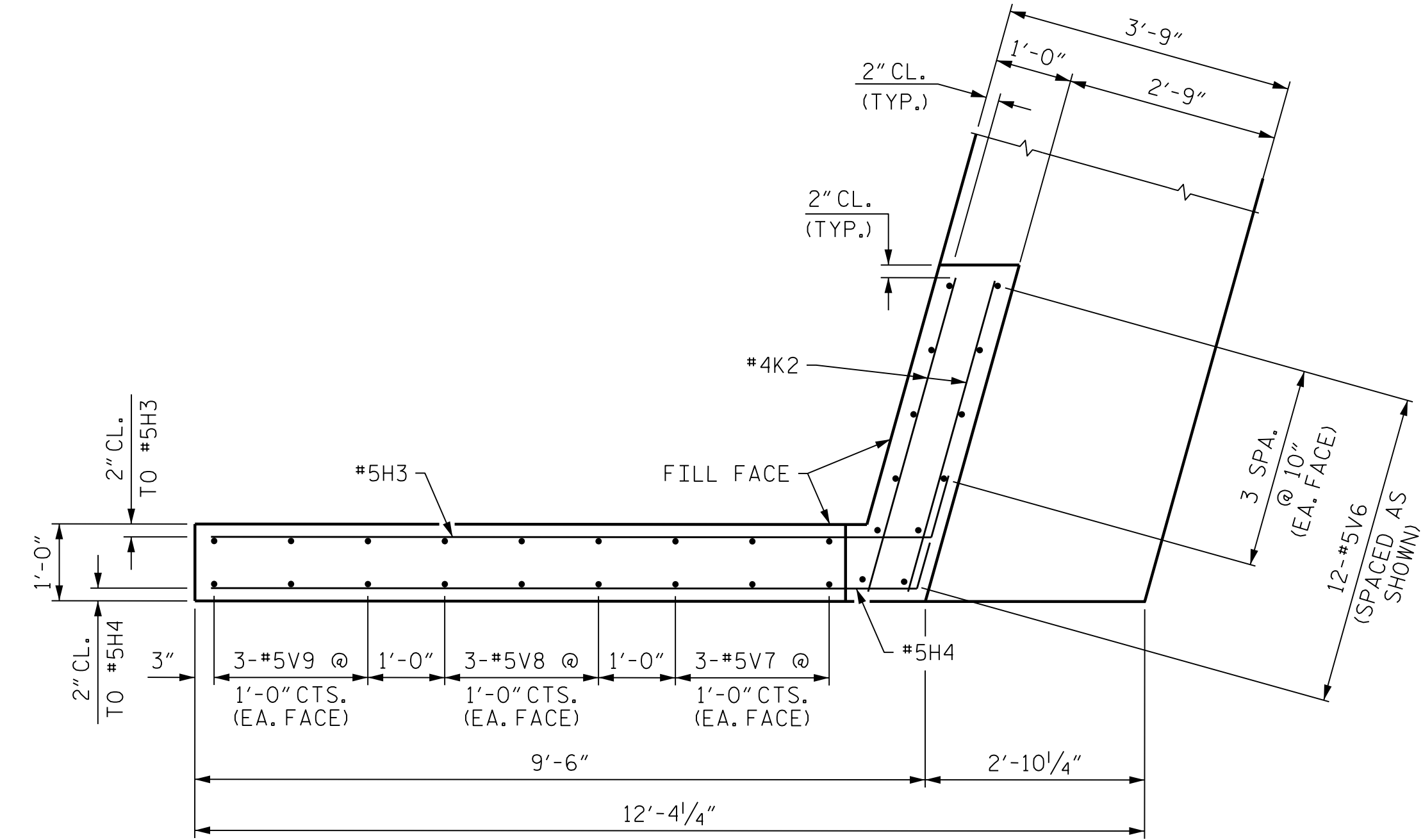


ELEVATION OF WING (W2)

SECTION Y-Y



PLAN OF WING (W1)



PLAN OF WING (W2)

PROJECT NO. R-2233BB
RUTHERFORD COUNTY
 STATION: 20+88.94 -Y19-

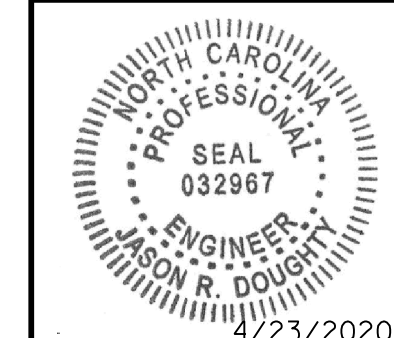
SHEET 2 OF 3

STATE OF NORTH CAROLINA
 DEPARTMENT OF TRANSPORTATION
 RALEIGH
 SUBSTRUCTURE
 END BENT 1

REVISIONS					
NO.	BY:	DATE:	NO.	BY:	DATE:
1			3		
2			4		

SHEET NO. S3-24
 TOTAL SHEETS 34

MODJESKI and MASTERS
 Experience great bridges.
 333 FAYETTEVILLE STREET, SUITE 500
 RALEIGH, NC 27601
 NC LICENSE NO. C-2979



DocuSigned by:
 Jason R. Doughty
 SF73FA2DEA974E8...

**DOCUMENT NOT CONSIDERED FINAL
 UNLESS ALL SIGNATURES COMPLETED**

STR. #3

DESIGNED BY: C. CORMAN DATE: JULY 2019
 DRAWN BY: K. WHITE DATE: JULY 2019
 CHECKED BY: J. BORUTA DATE: AUG 2019
 DESIGN ENGINEER OF RECORD: J. DOUGHTY DATE: NOV 2019

4/22/2020
 403_047_R2233BB_SML12_800662.dgn