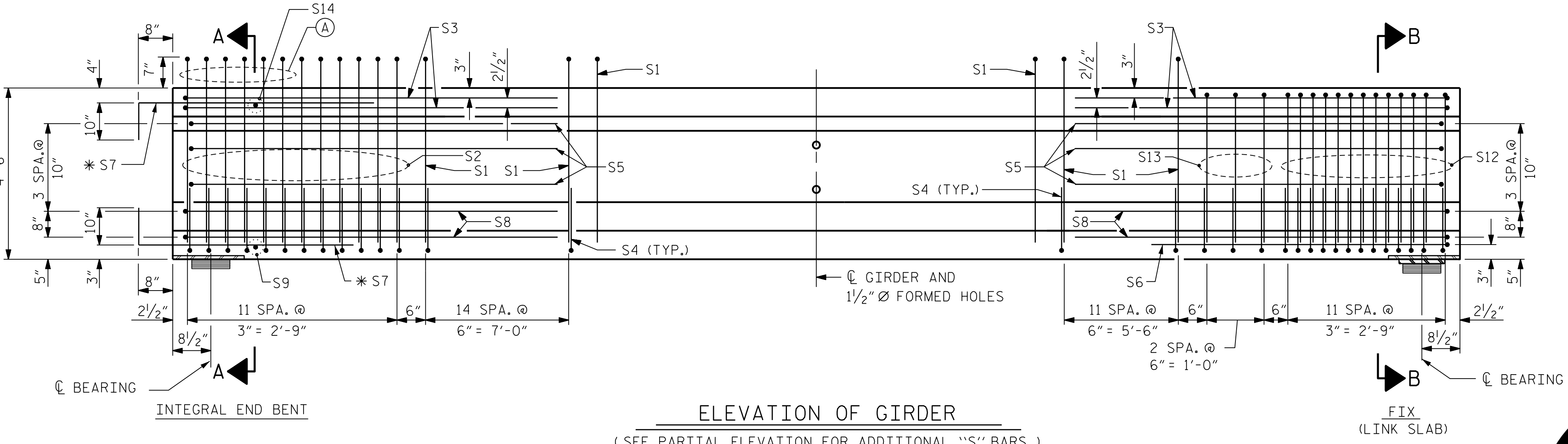
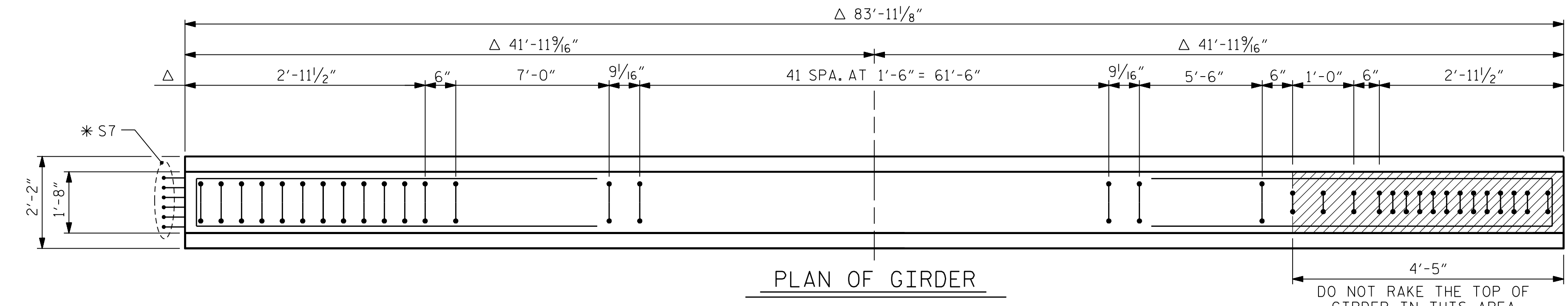
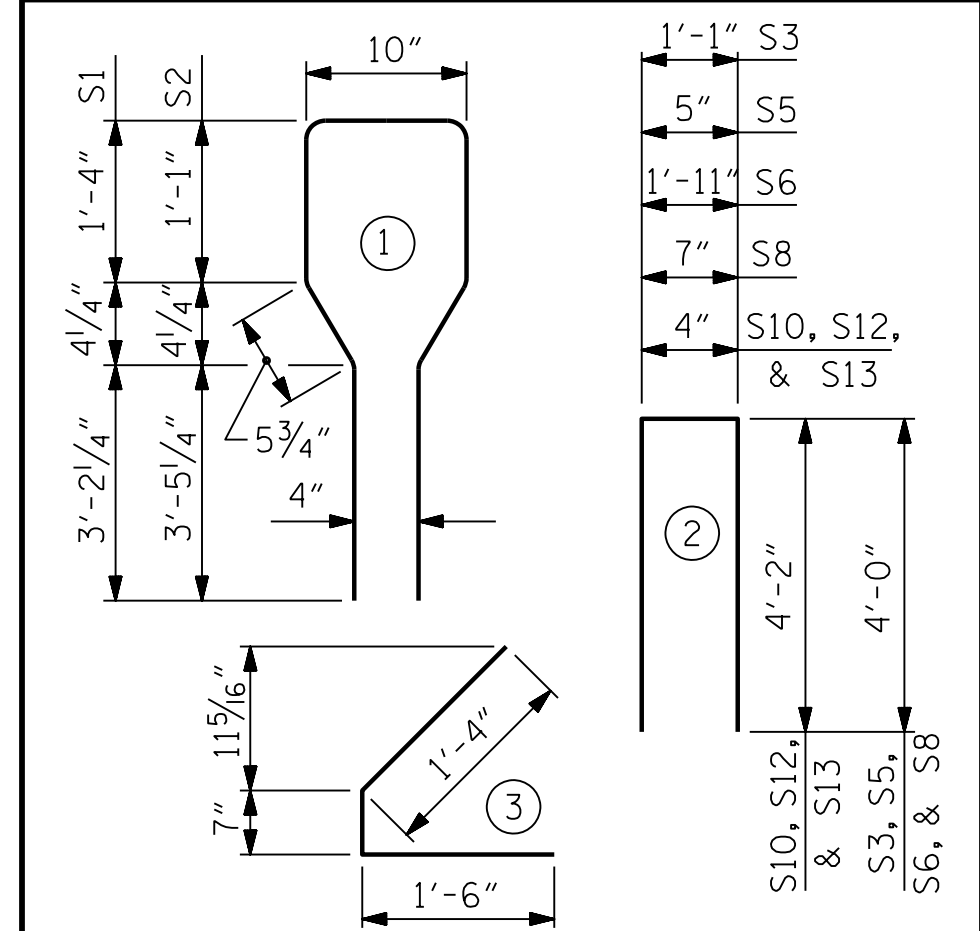


0.6" Ø L. R. GRADE 270 STRANDS		
AREA (SQUARE INCHES)	ULTIMATE STRENGTH (LBS. PER STRAND)	APPLIED PRESTRESS (LBS. PER STRAND)
0.217	58,600	43,950

REINFORCING STEEL FOR ONE GIRDER					
BAR	NUMBER	SIZE	TYPE	LENGTH	WEIGHT
S1	69	#4	1	10'-10"	499
S2	12	#6	1	10'-10"	195
S3	4	#4	2	9'-1"	24
S4	108	#4	3	3'-5"	246
S5	6	#4	2	8'-5"	34
S6	1	#4	2	9'-11"	7
*S7	12	#5	STR	3'-8"	46
S8	4	#4	2	8'-7"	23
S9	1	#3	STR	1'-10"	1
S10	2	#5	2	8'-8"	18
S11	5	#4	STR	7'-0"	23
S12	12	#6	2	8'-8"	156
S13	3	#4	2	8'-8"	17
S14	1	#3	STR	1'-4"	1

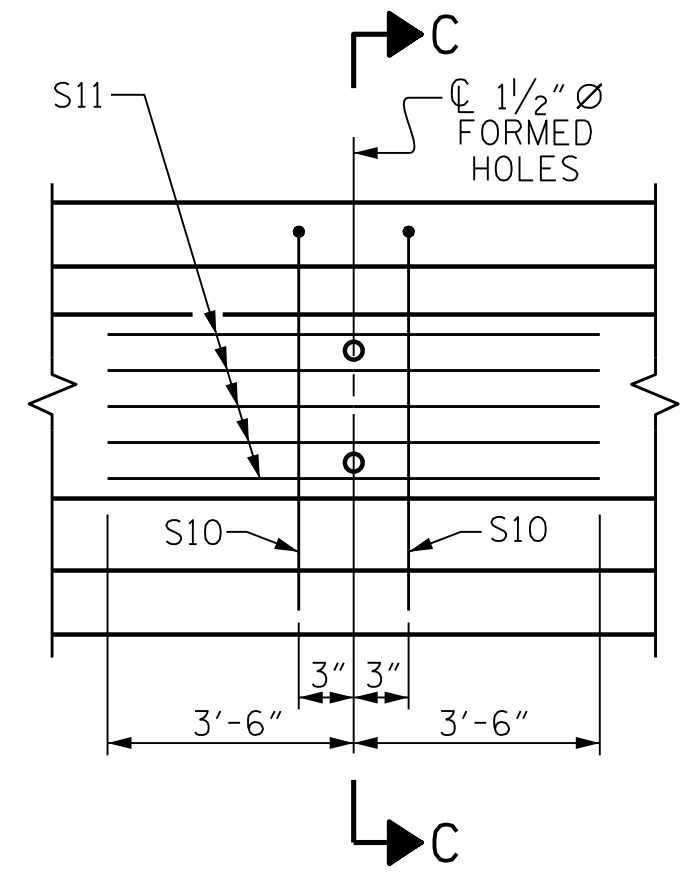
* NOTE: S7 BARS SHALL BE BENT BEFORE SHIPMENT. HEAT BENDING SHALL NOT BE ALLOWED.

BAR TYPES
ALL BAR DIMENSIONS ARE OUT-TO-OUT



DEBONDING LEGEND

- FULLY BONDED STRANDS.
- ▲ STRANDS DEBONDED FOR 12'-0" FROM END OF GIRDER.
- STRANDS DEBONDED FOR 10'-0" FROM END OF GIRDER.
- ⊙ STRANDS DEBONDED FOR 8'-0" FROM END OF GIRDER.
- ◆ STRANDS DEBONDED FOR 6'-0" FROM END OF GIRDER.



QUANTITIES FOR ONE GIRDER

	REINFORCING STEEL	7500 PSI CONCRETE	0.6" Ø L. R. STRANDS
	LB.	C.Y.	No.
54" PCG GIRDER	1,290	17.0	40

GIRDERS REQUIRED

NUMBER	LENGTH	TOTAL LENGTH
5	83'-11 1/8"	419.64'

PROJECT NO. R-2233BB
RUTHERFORD COUNTY
 STATION: 20+88.94 -Y19-

STATE OF NORTH CAROLINA
 DEPARTMENT OF TRANSPORTATION
 RALEIGH
 STANDARD
 AASHTO TYPE IV
 PRESTRESSED CONCRETE GIRDER
 CONTINUOUS FOR LIVE LOAD
 SPAN A

REVISIONS					
NO.	BY:	DATE:	NO.	BY:	DATE:
1			3		
2			4		

SHEET NO. S3-12
 TOTAL SHEETS 34
 STR. #3 STD. NO. PCG6

MODJESKI and MASTERS
 Experience great bridges.
 333 FAYETTEVILLE STREET, SUITE 500
 RALEIGH, NC 27601
 NC LICENSE NO. C-2979

DocuSigned by:
Jason R. Doughty
 5F73FA2DEA974E8...

DOCUMENT NOT CONSIDERED FINAL UNLESS ALL SIGNATURES COMPLETED

DRAWN BY: ELR 8/91	REV. 10/11/11	MAA/GM
CHECKED BY: GRP 8/91	REV. 1/15	MAA/TMG
	REV. 12/17	MAA/THC
DESIGNED BY: J. BORUTA	DATE: APR 2019	
DRAWN BY: K. WHITE	DATE: MAR 2019	
CHECKED BY: B. LOFLIN	DATE: JUNE 2019	
DESIGN ENGINEER OF RECORD: J. DOUGHTY	DATE: NOV 2019	

Δ MEASURED AND SPACED ALONG GIRDER BOTTOM FLANGE. SEE GIRDER LENGTH AND END BEVEL (ELEVATION VIEW) DETAIL ON "PRESTRESSED CONCRETE GIRDER CONTINUOUS FOR LIVE LOAD DETAILS" SHEET.
 (A) END BEVEL IS REQUIRED. ROTATE END S2 BAR SUCH THAT IT IS PLACED PARALLEL TO END BEVEL WHILE MAINTAINING 2" OF CONCRETE COVER. TAPER SPACING OF ADJACENT S2 BARS SUCH THAT THE CLEAR DISTANCE BETWEEN THE BARS EXCEEDS 1 1/2".

4/22/2020 403_023_R2233BB_SML.PCGA_800662.dgn