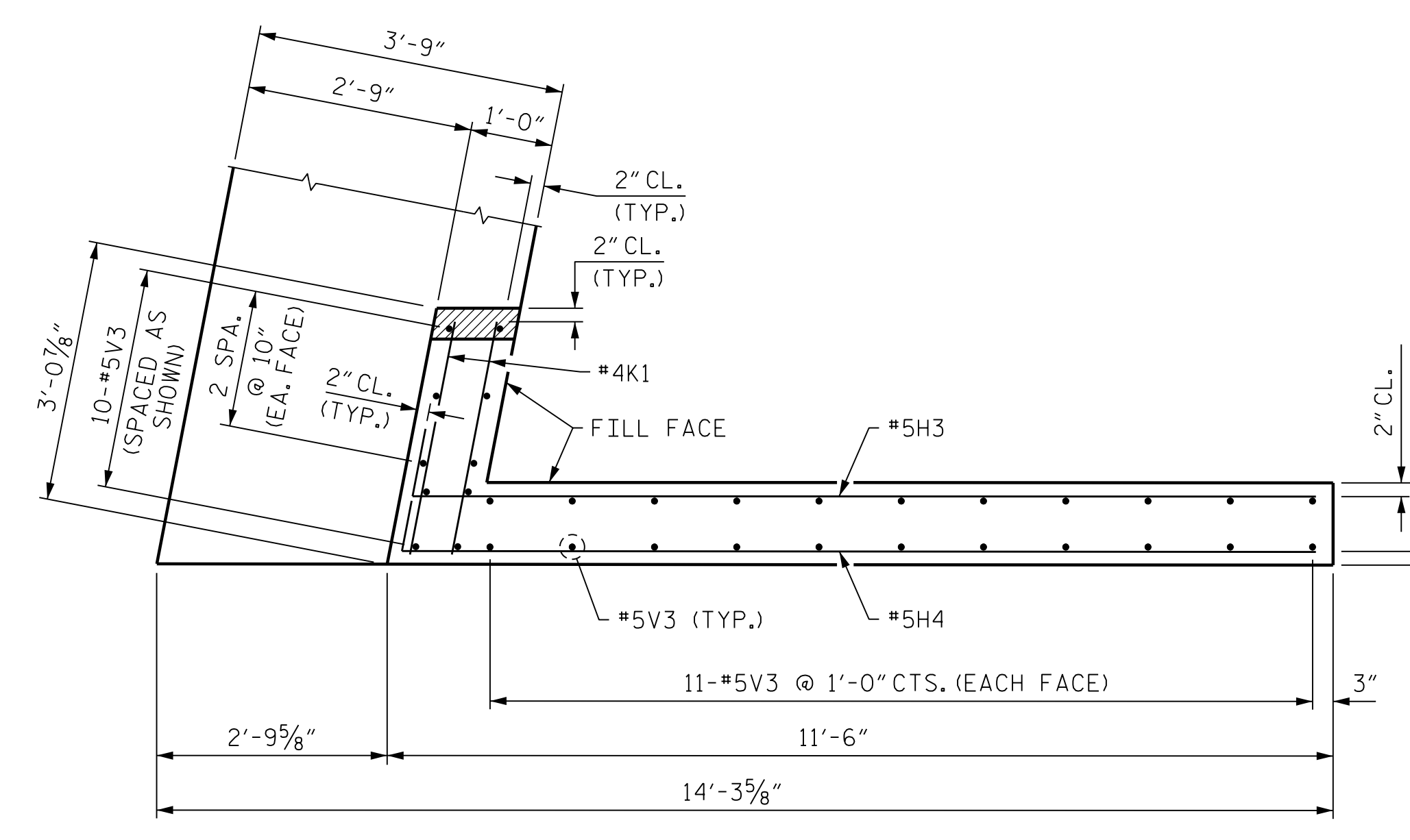
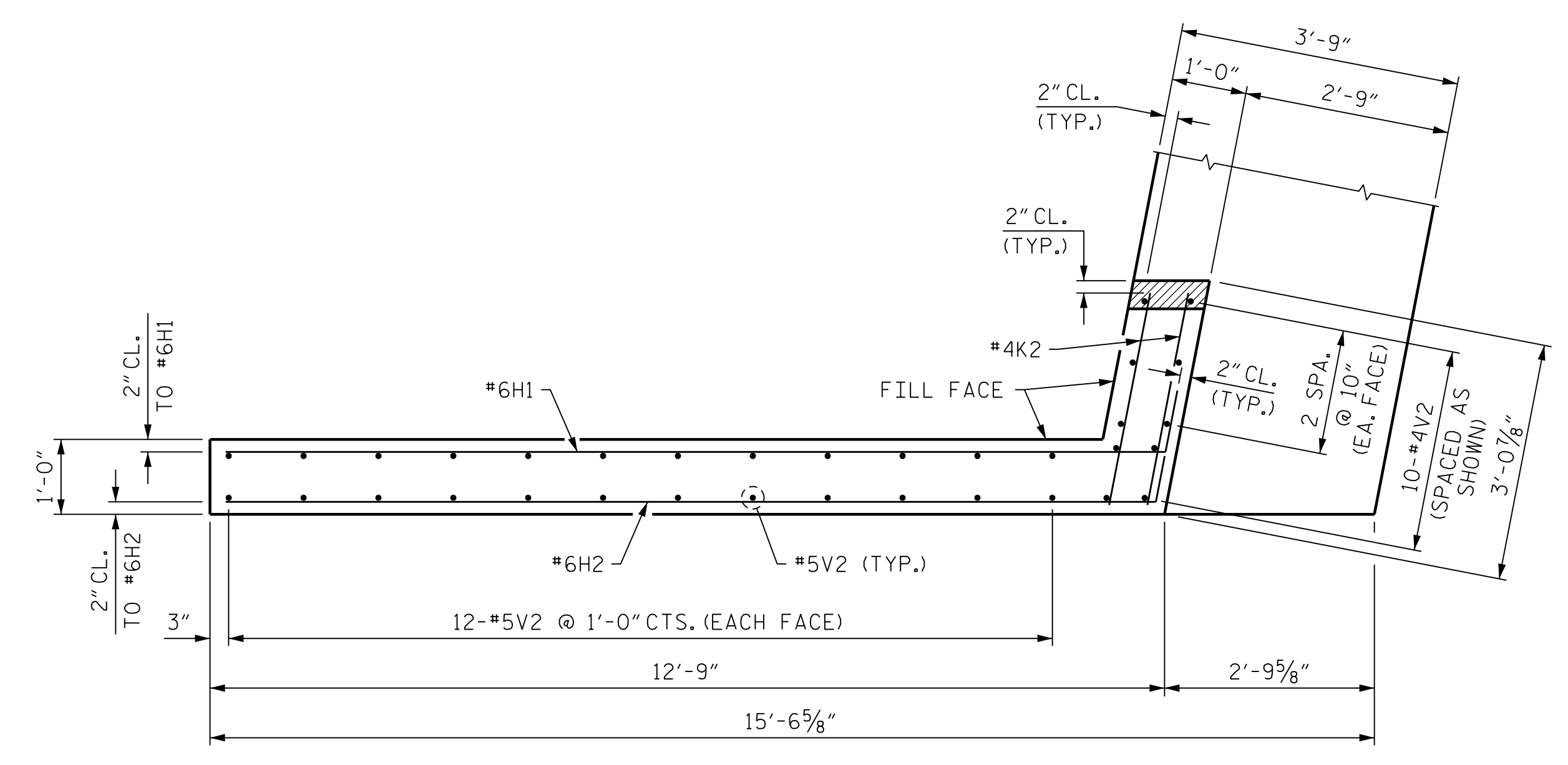


SECTION X-X

ELEVATION OF WING (W3)

ELEVATION OF WING (W4)

SECTION Y-Y



PLAN OF WING (W3)

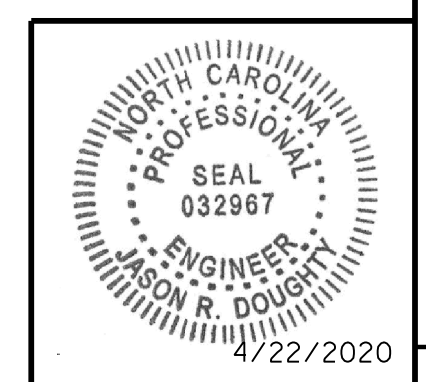
PLAN OF WING (W4)

PROJECT NO. R-2233BB
RUTHERFORD COUNTY
 STATION: 774+41.49 -L3-

SHEET 2 OF 3

STATE OF NORTH CAROLINA DEPARTMENT OF TRANSPORTATION RALEIGH					
SUBSTRUCTURE END BENT 2					
REVISIONS					
NO.	BY:	DATE:	NO.	BY:	DATE:
1			3		
2			4		
SHEET NO. S2-24					TOTAL SHEETS 28

MODJESKI and MASTERS
 Experience great bridges.
 333 YETTEVILLE STREET, SUITE 500
 RALEIGH, NC 27601
 NC LICENSE NO. C-2979



DocuSigned by:
 Jason R. Dougherty
 5F73FA2DEA974E8...

**DOCUMENT NOT CONSIDERED FINAL
 UNLESS ALL SIGNATURES COMPLETED**

STR. #2

DESIGNED BY: C. CORMAN DATE: JULY 2019
 DRAWN BY: K. WHITE DATE: JULY 2019
 CHECKED BY: M. NIFONG DATE: AUG 2019
 DESIGN ENGINEER OF RECORD: J. DOUGHTY DATE: NOV 2019

4/22/2020
 402_047_R2233BB_SML_E22_800661.DGN