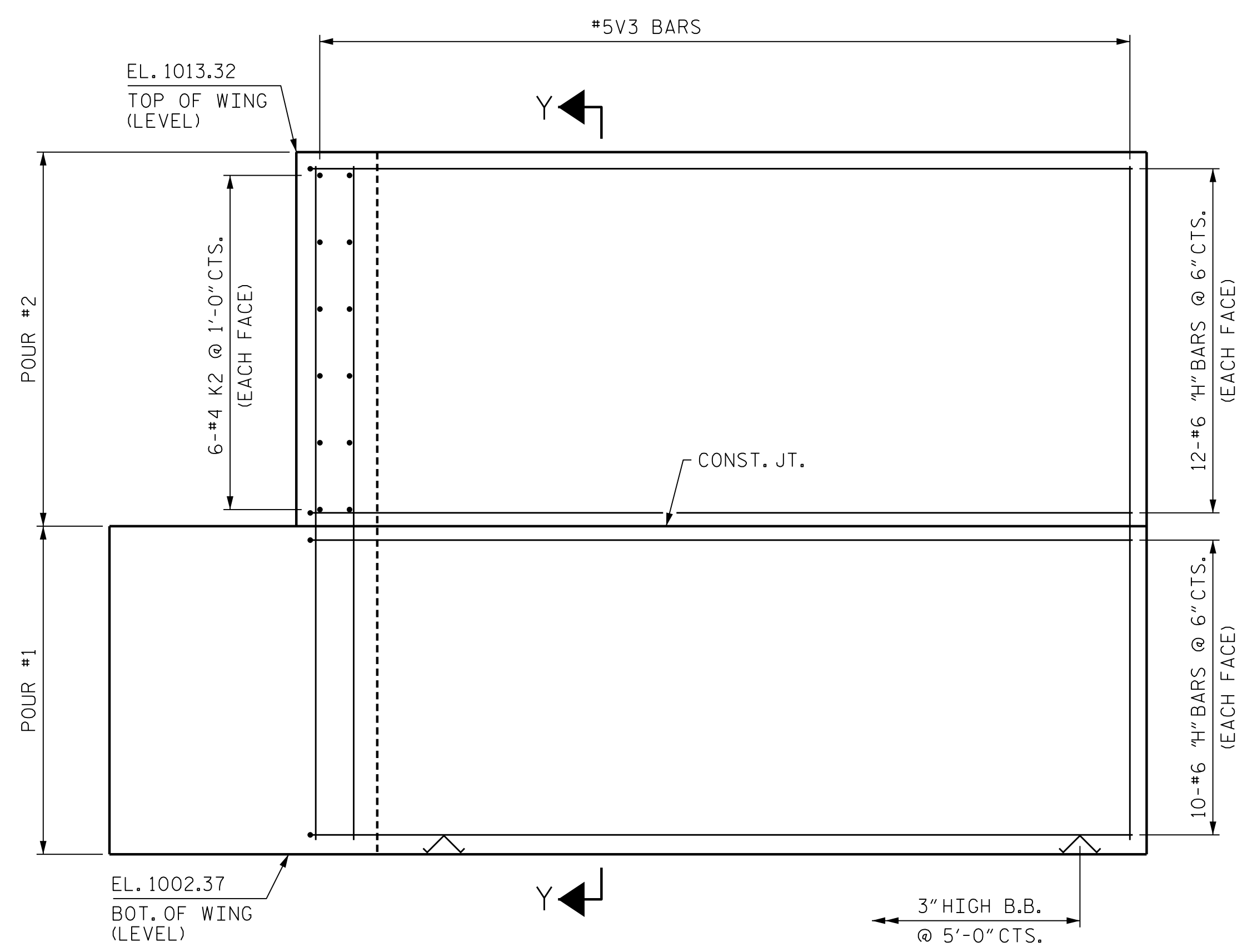
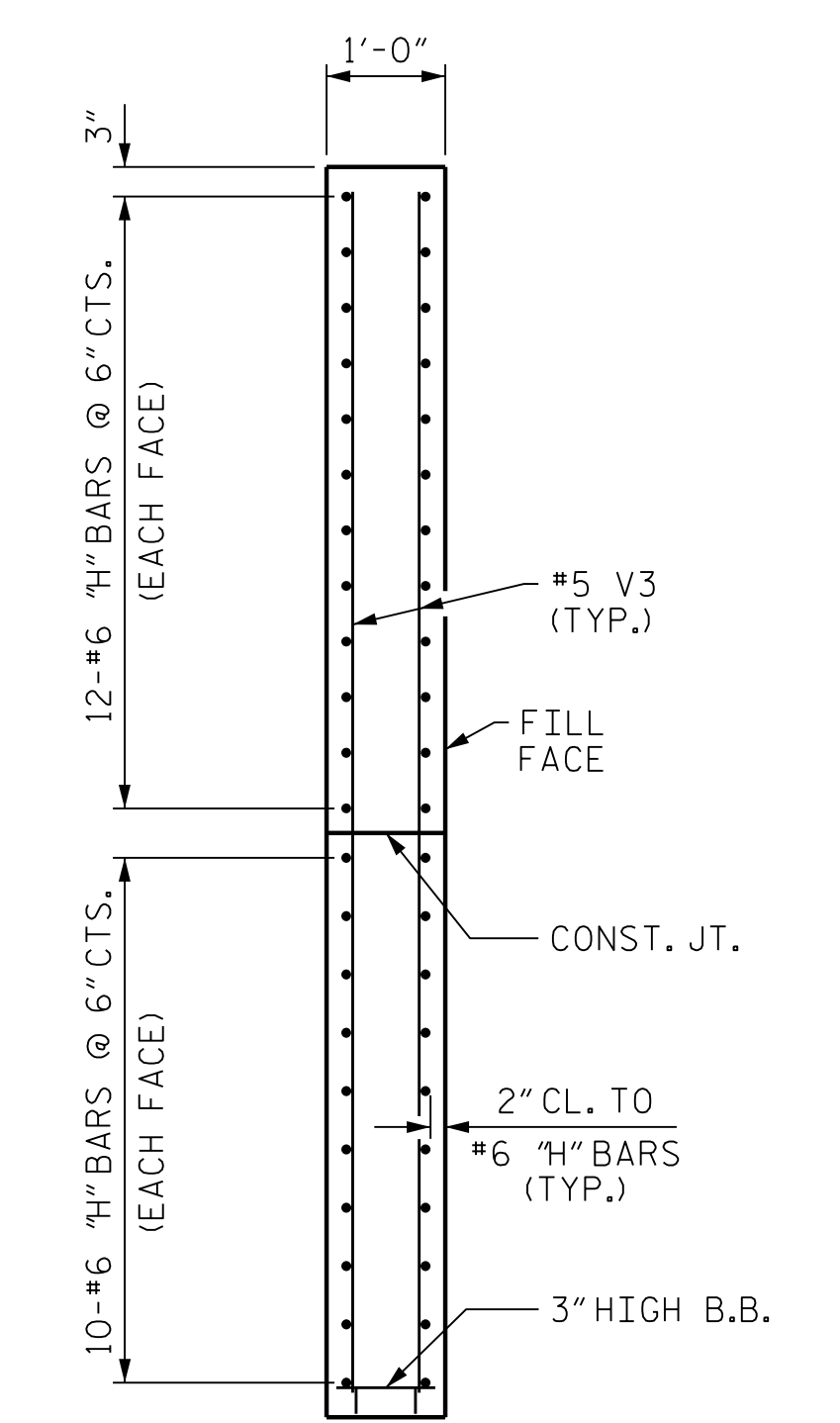


SECTION X-X

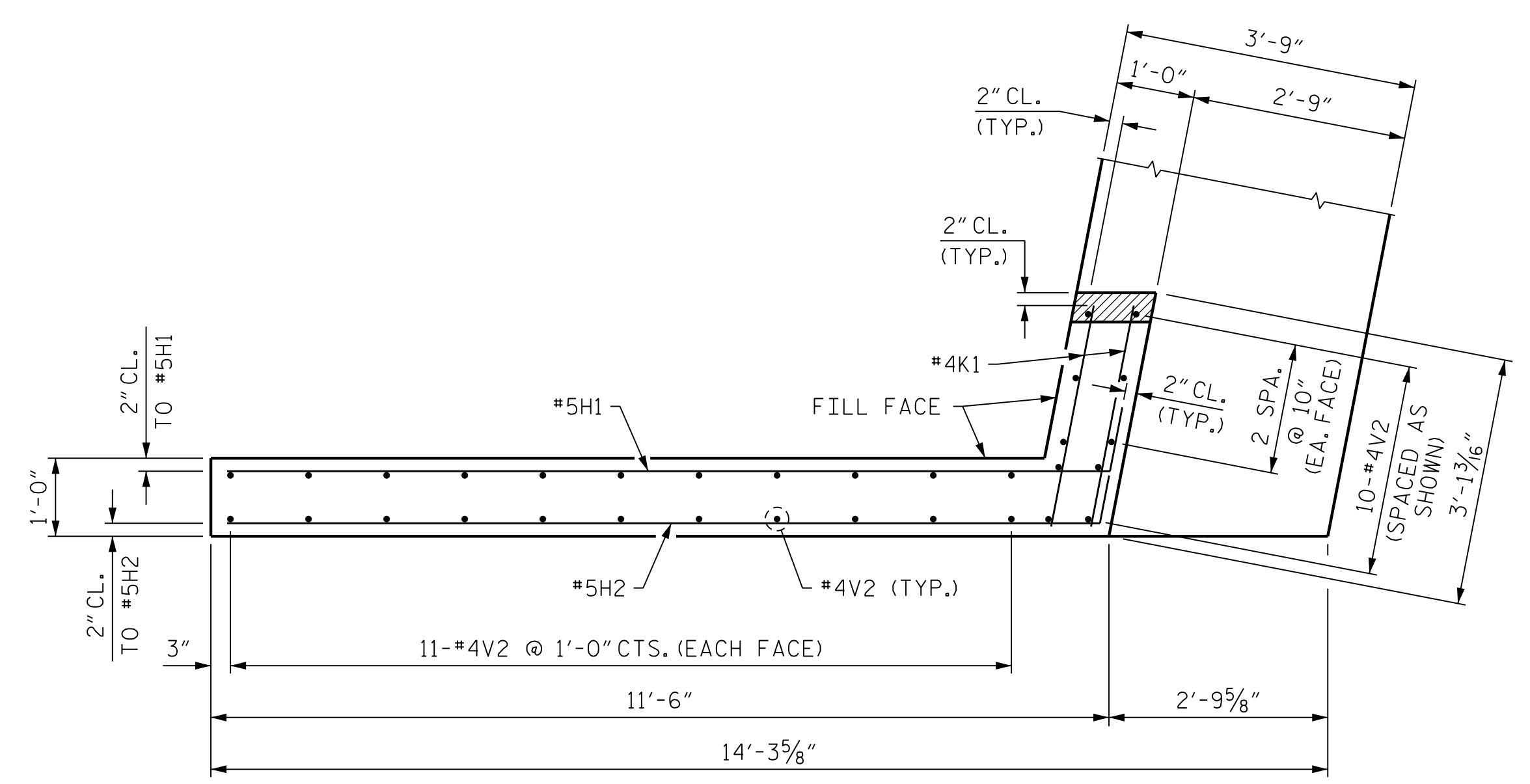
ELEVATION OF WING W3



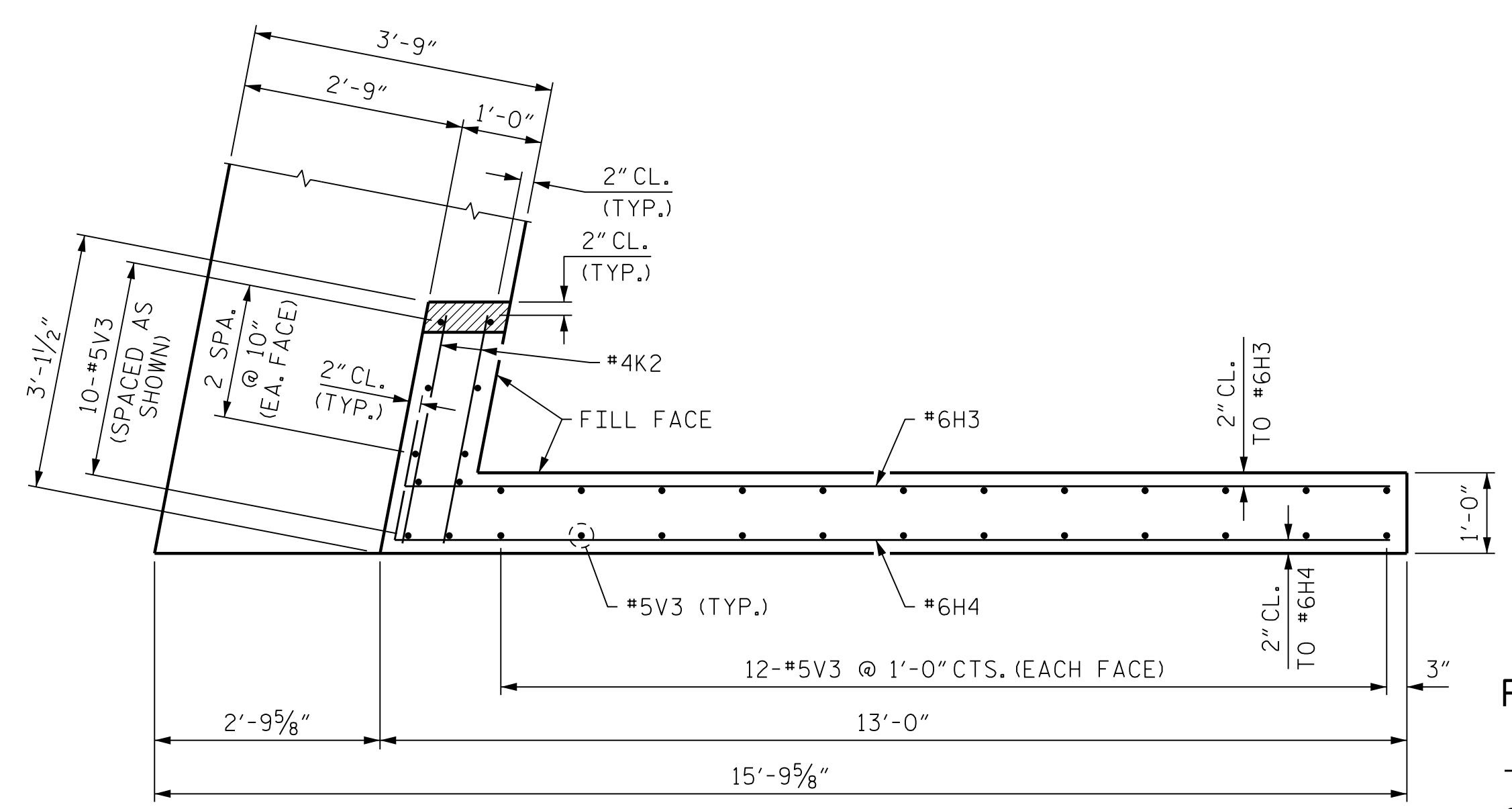
ELEVATION OF WING W4



SECTION Y-Y



PLAN OF WING W3

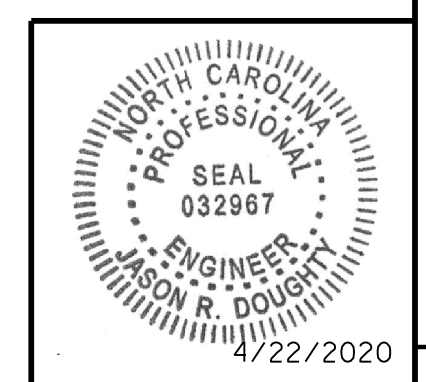


PLAN OF WING W4

PROJECT NO. R-2233BB
RUTHERFORD COUNTY
 STATION: 774+41.49 -L3-

SHEET 2 OF 3

STATE OF NORTH CAROLINA DEPARTMENT OF TRANSPORTATION RALEIGH					
SUBSTRUCTURE END BENT 2					
REVISIONS					
NO.	BY:	DATE:	NO.	BY:	DATE:
1			3		
2			4		
SHEET NO.					S1-24
TOTAL SHEETS					28



DocuSigned by:
 Jason R. Dougherty
 5F73FA2DEA974E8...

**DOCUMENT NOT CONSIDERED FINAL
 UNLESS ALL SIGNATURES COMPLETED**

STR. #1

4/22/2020
 401_047_R2233BB_SML_E22_800660.DGN

DESIGNED BY:	C. CORMAN	DATE:	JULY 2019
DRAWN BY:	K. WHITE	DATE:	JULY 2019
CHECKED BY:	B. LOFLIN	DATE:	AUG 2019
DESIGN ENGINEER OF RECORD:	J. DOUGHTY	DATE:	NOV 2019