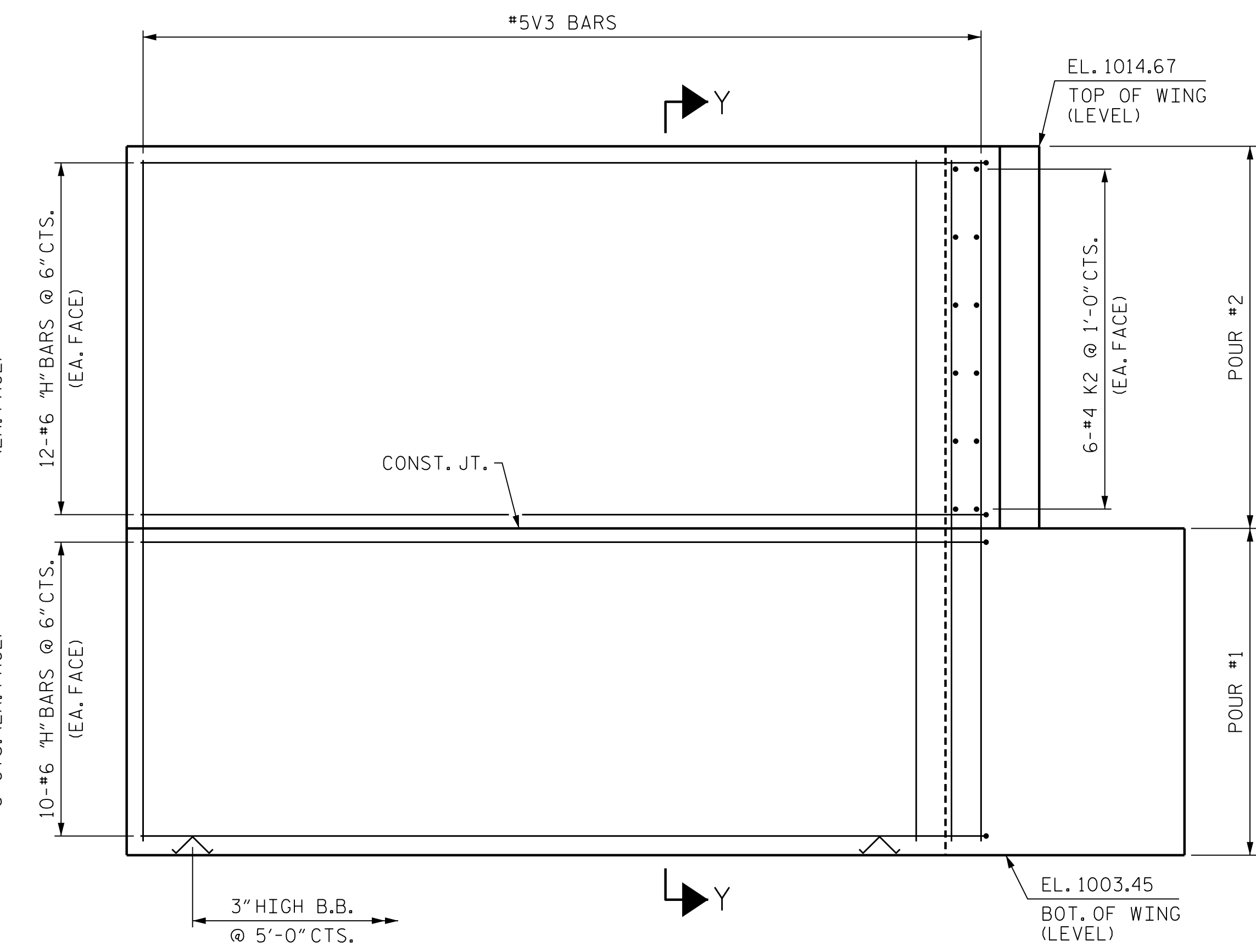
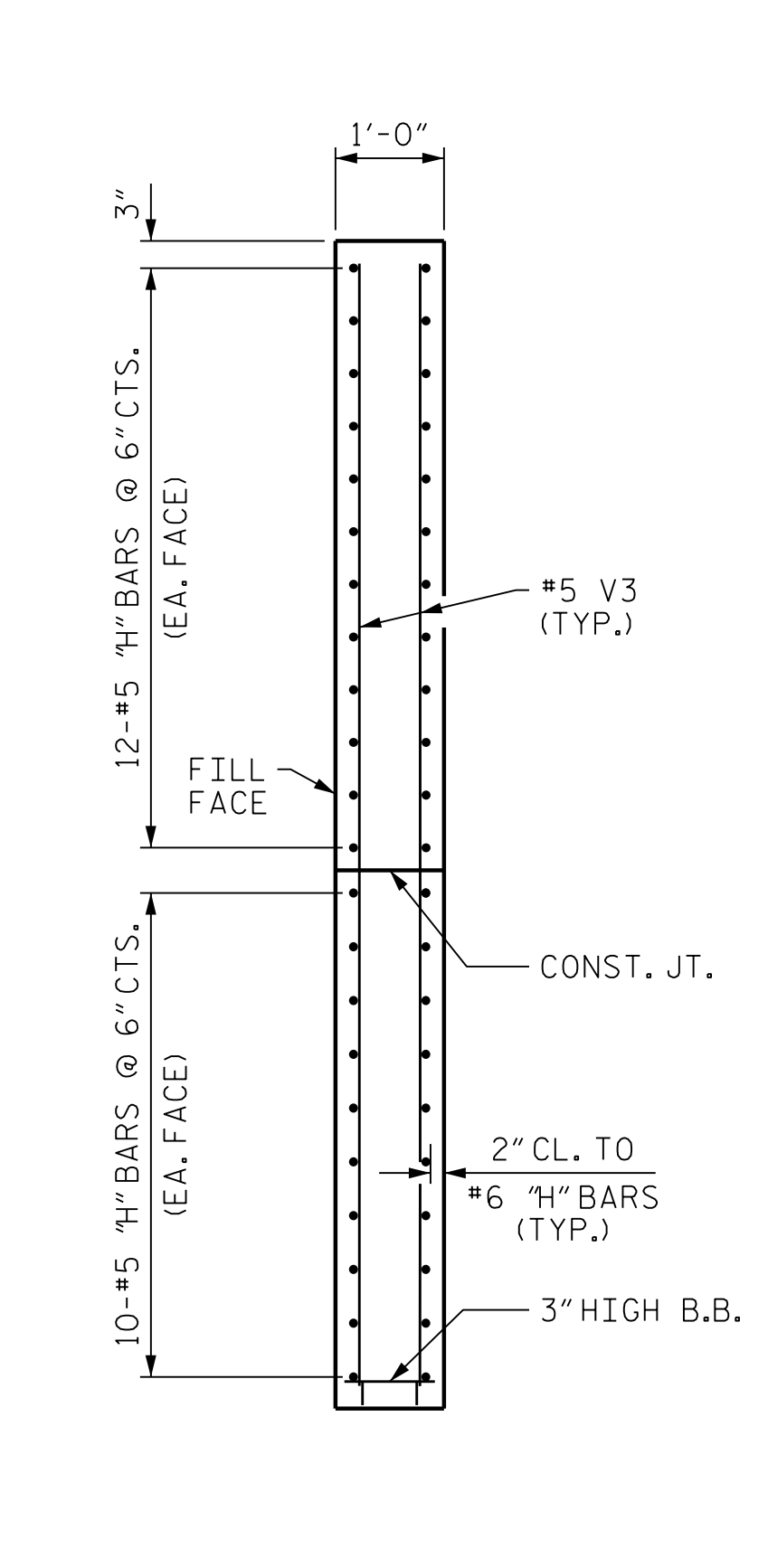


SECTION X-X

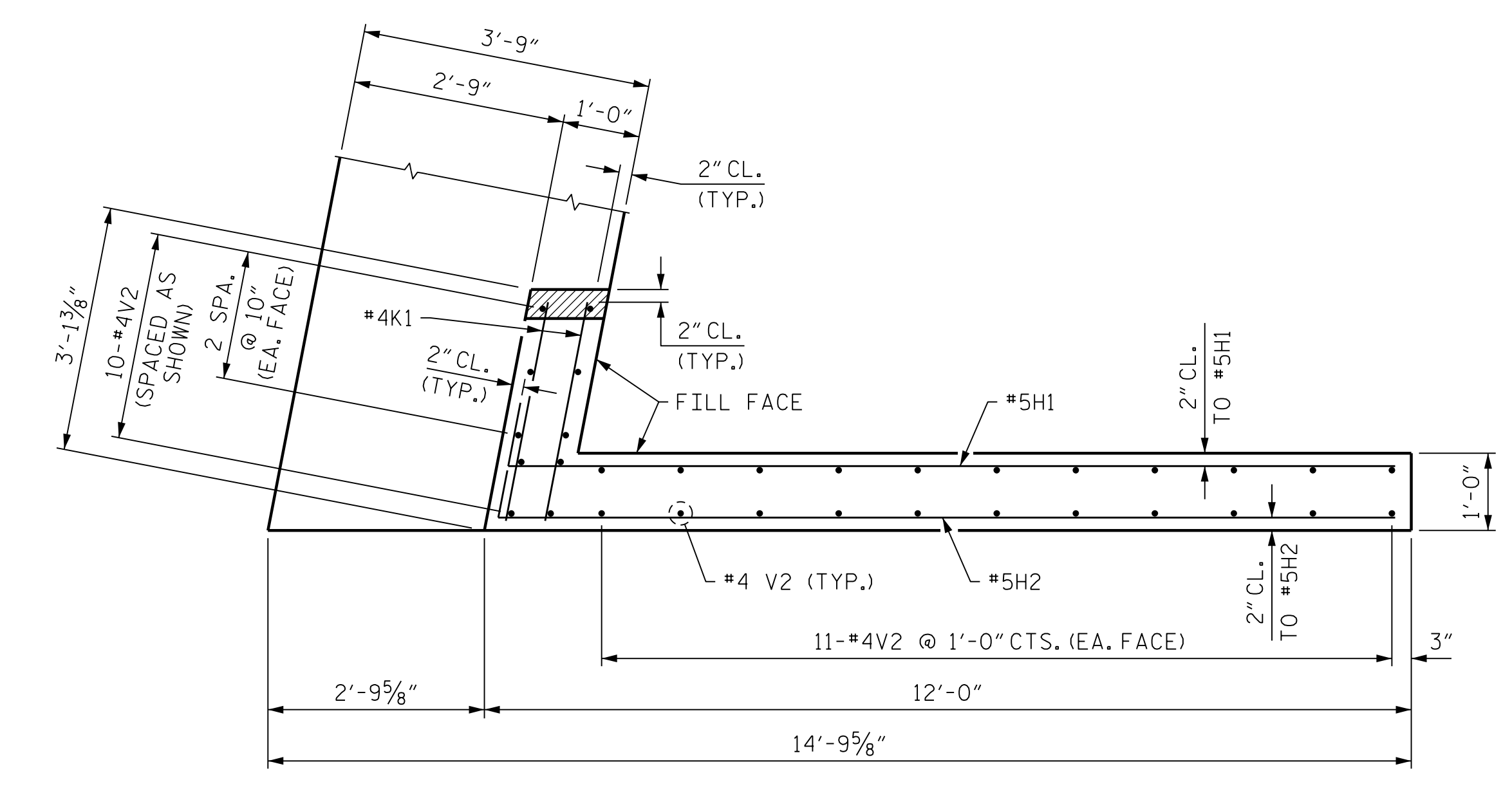
ELEVATION OF WING (W1)



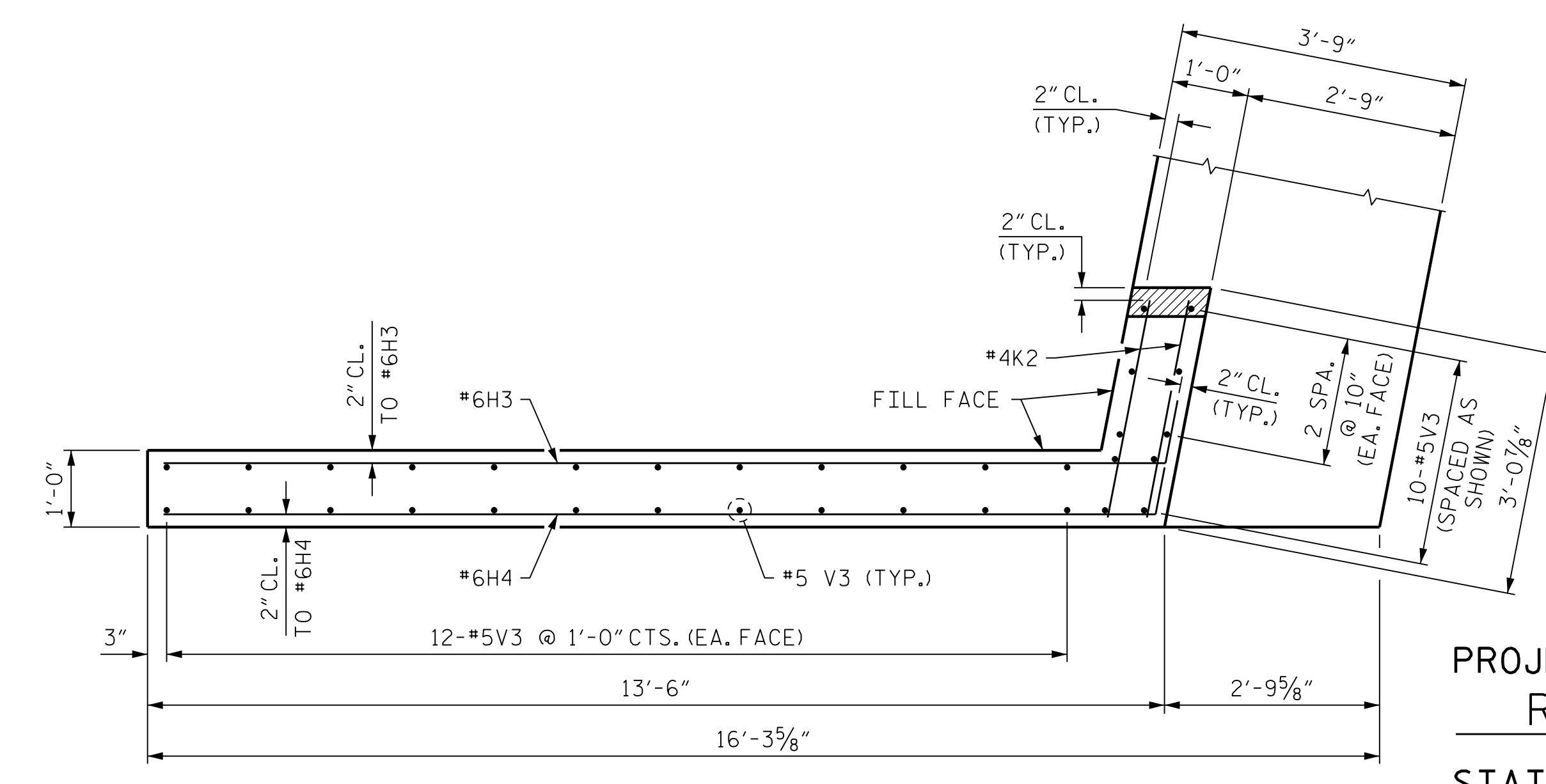
ELEVATION OF WING (W2)



SECTION Y-Y



PLAN OF WING (W1)

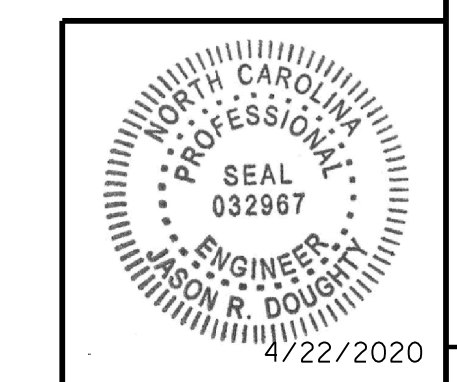


PLAN OF WING (W2)

PROJECT NO. R-2233BB
RUTHERFORD COUNTY
 STATION: 774+41.49 -L3-

SHEET 2 OF 3

STATE OF NORTH CAROLINA DEPARTMENT OF TRANSPORTATION RALEIGH					
SUBSTRUCTURE END BENT 1					
REVISIONS					
NO.	BY:	DATE:	NO.	BY:	DATE:
1			3		
2			4		
SHEET NO.					S1-21
TOTAL SHEETS					28



**DOCUMENT NOT CONSIDERED FINAL
UNLESS ALL SIGNATURES COMPLETED**

DocuSigned by:
Jason R Doughty
SF73FA2DEA874E8...

STR. #1

DESIGNED BY: C. CORMAN DATE: JULY 2019
 DRAWN BY: K. WHITE DATE: JULY 2019
 CHECKED BY: B. LOFLIN DATE: AUG 2019
 DESIGN ENGINEER OF RECORD: J. DOUGHTY DATE: NOV 2019

4/22/2020
401_041_R2233BB_SML12_800660.DGN