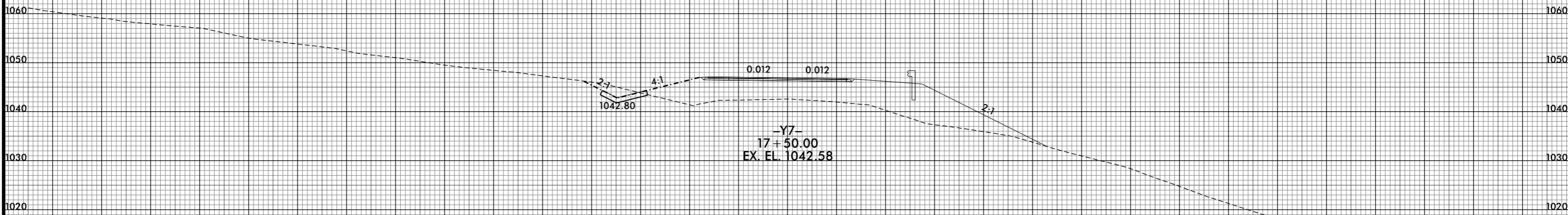
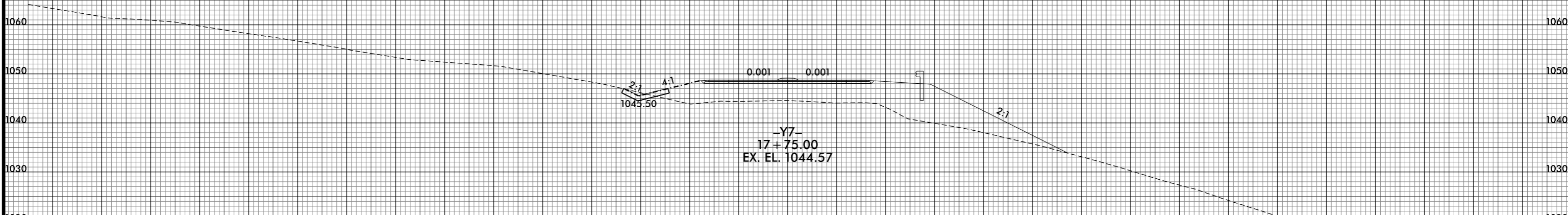
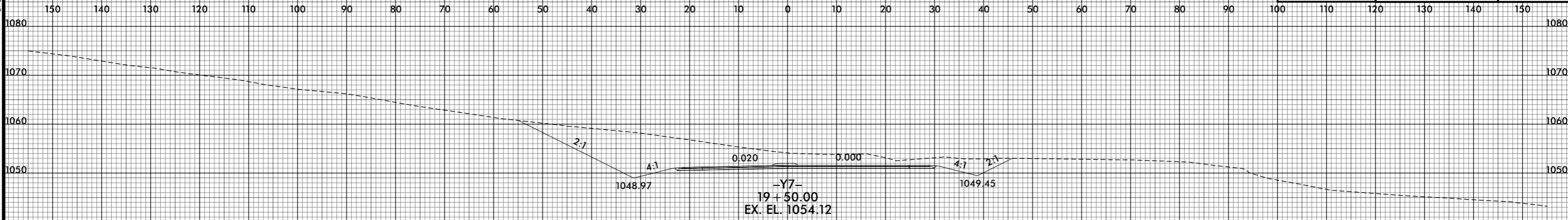


8/23/99



PROJ. REFERENCE NO. R-2233BB	SHEET NO. X-441
---------------------------------	--------------------



-Y7-

8/10/2021 10:30:05 PM
 I:\R2233BB.RDY.XPL_Y7.dgn
 USER: ds for mer