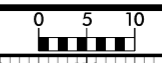
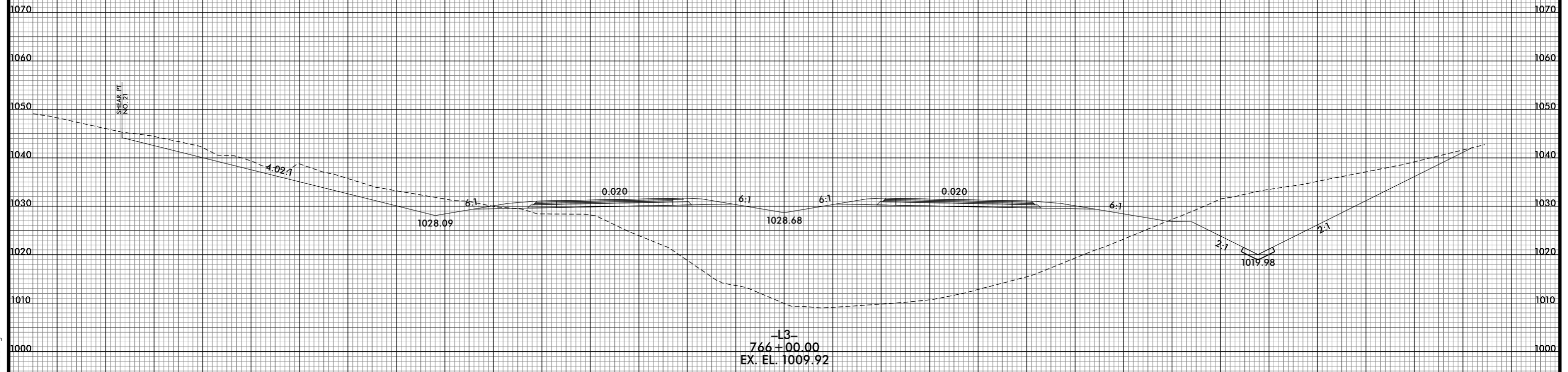
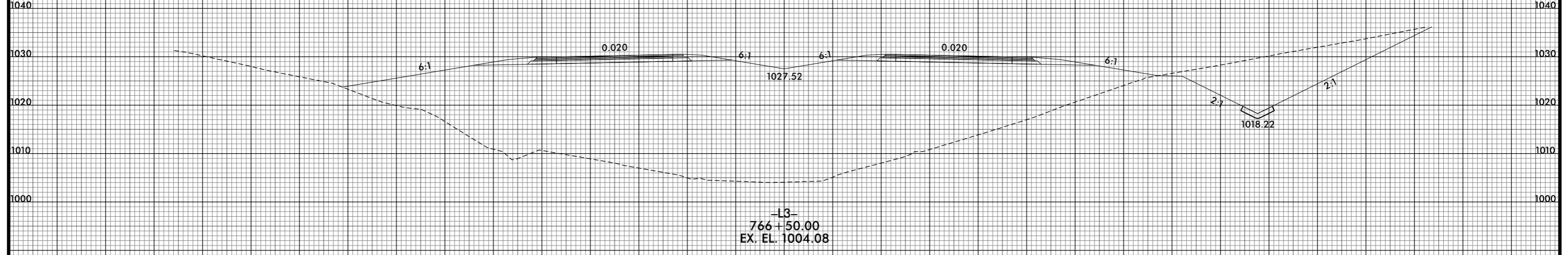
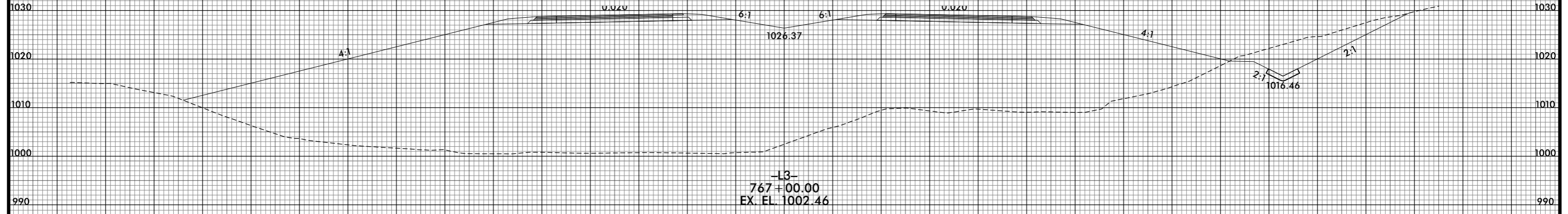


8/23/99



PROJ. REFERENCE NO.	SHEET NO.
R-2233BB	X-35



-L3-

8/10/2021 12:48:45 PM  
I:\R2233BB.RDY.XPL.L3.dgn  
USER: bctormer