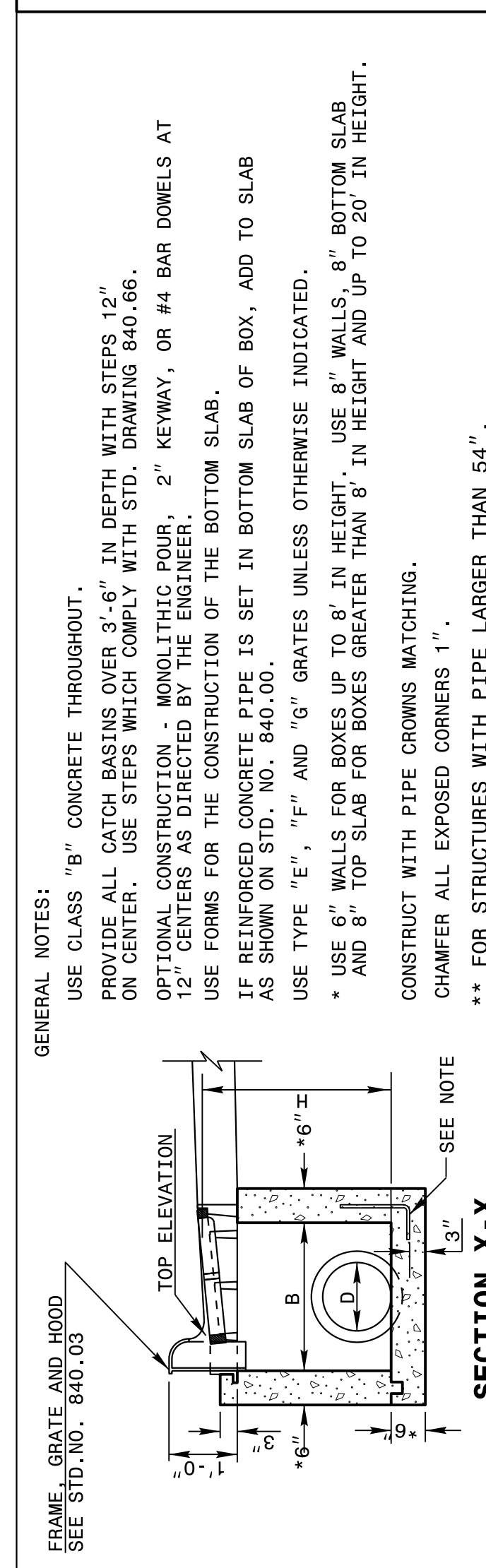
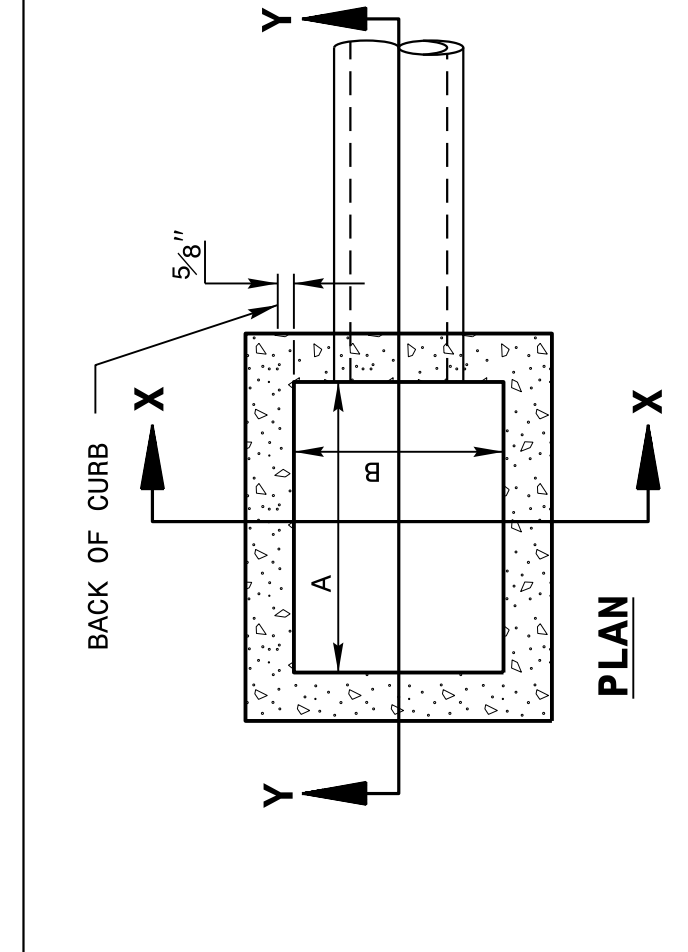


16-APR-2018 11:44  
 S:\Contracts\Special Details\Jhewerton\840d02 Extra Depth CB.dgn  
 Jhewerton AT CSD-292595

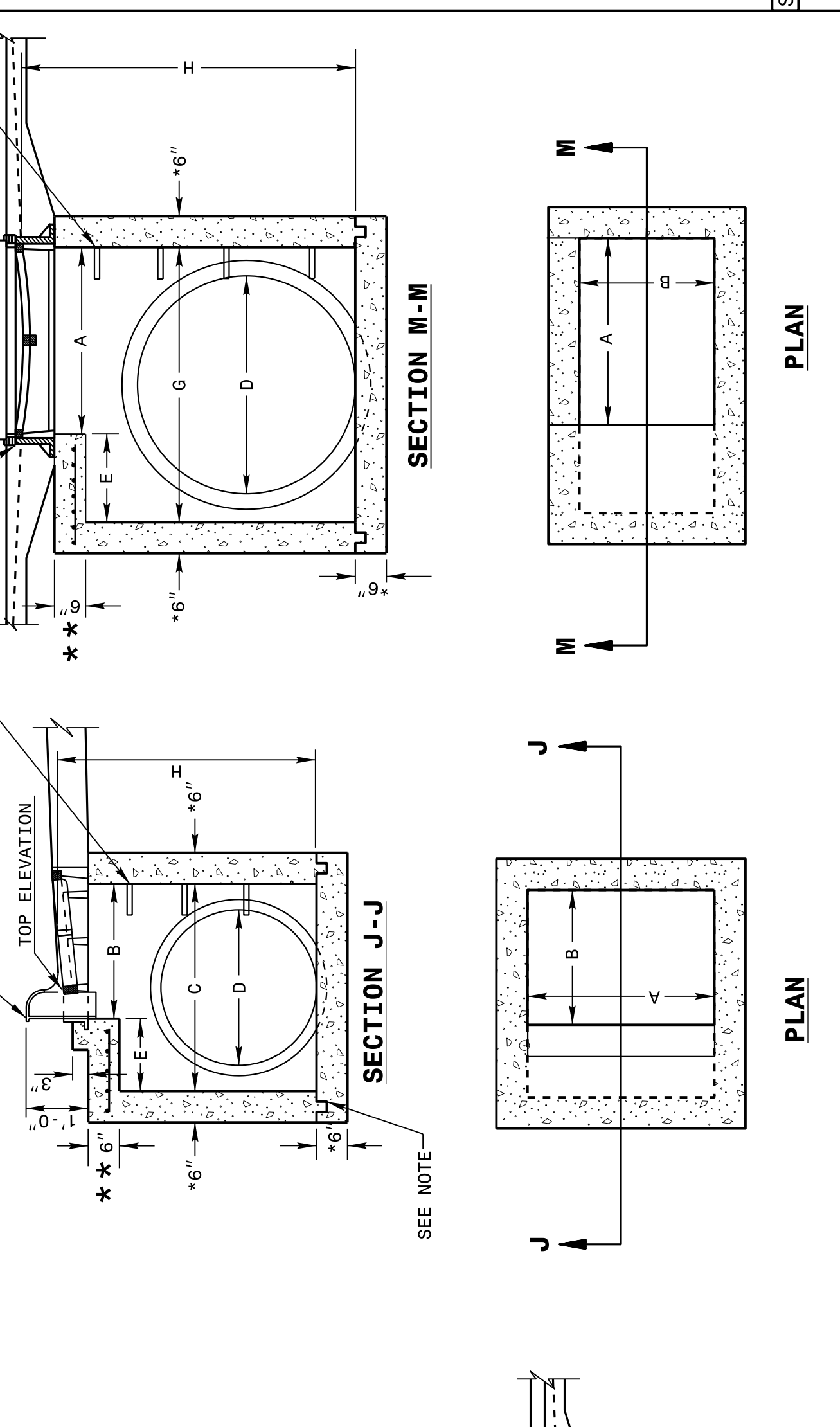
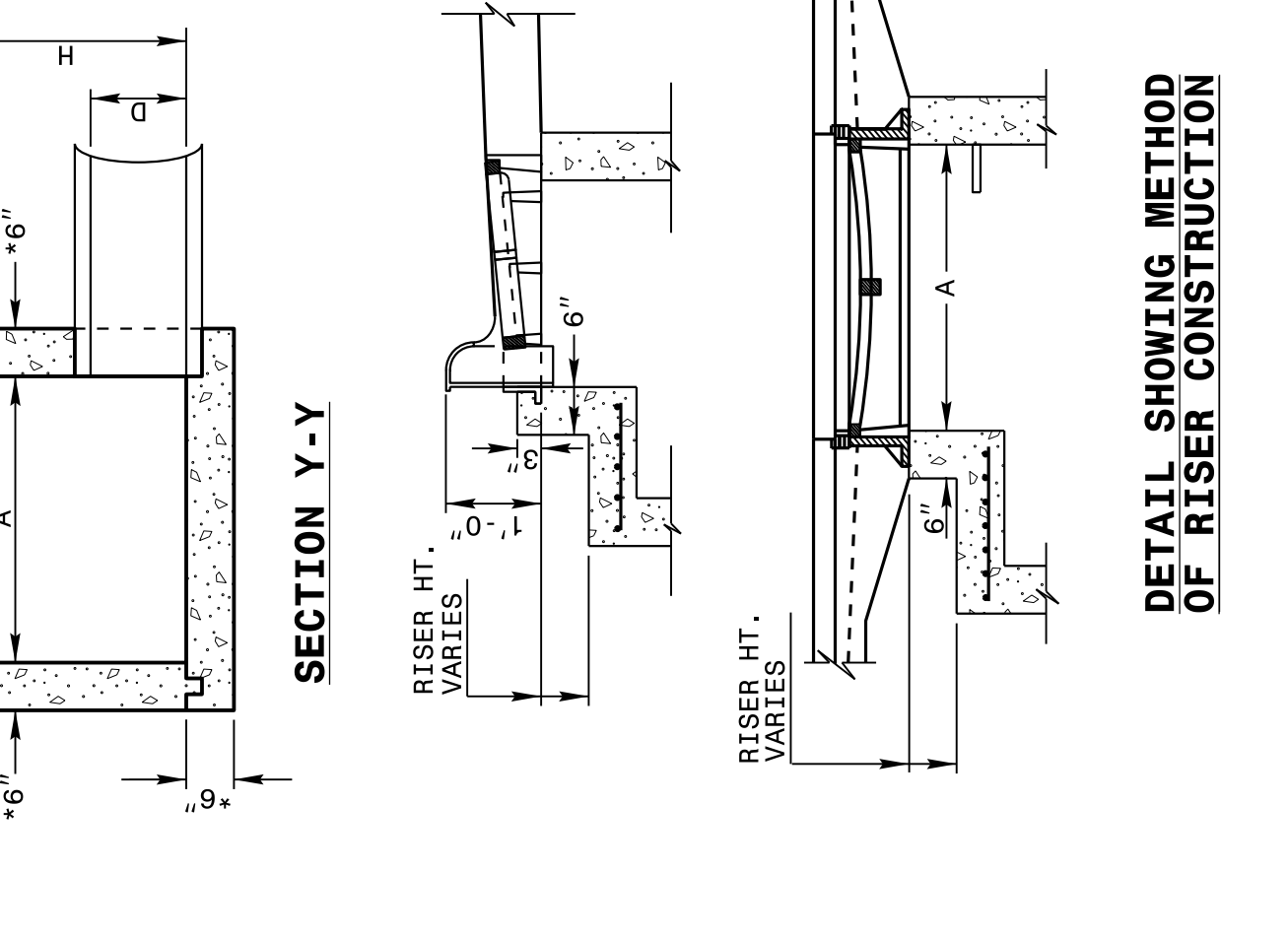
5/14/99

STATE OF NORTH CAROLINA  
 DEPT. OF TRANSPORTATION  
 DIVISION OF HIGHWAYS  
 RALEIGH, N.C.



STATE OF NORTH CAROLINA  
 DEPT. OF TRANSPORTATION  
 DIVISION OF HIGHWAYS  
 RALEIGH, N.C.

ENGLISH DETAIL DRAWING FOR  
**EXTRA DEPTH  
 CONCRETE CATCH BASIN**  
 12" THRU 84" PIPE

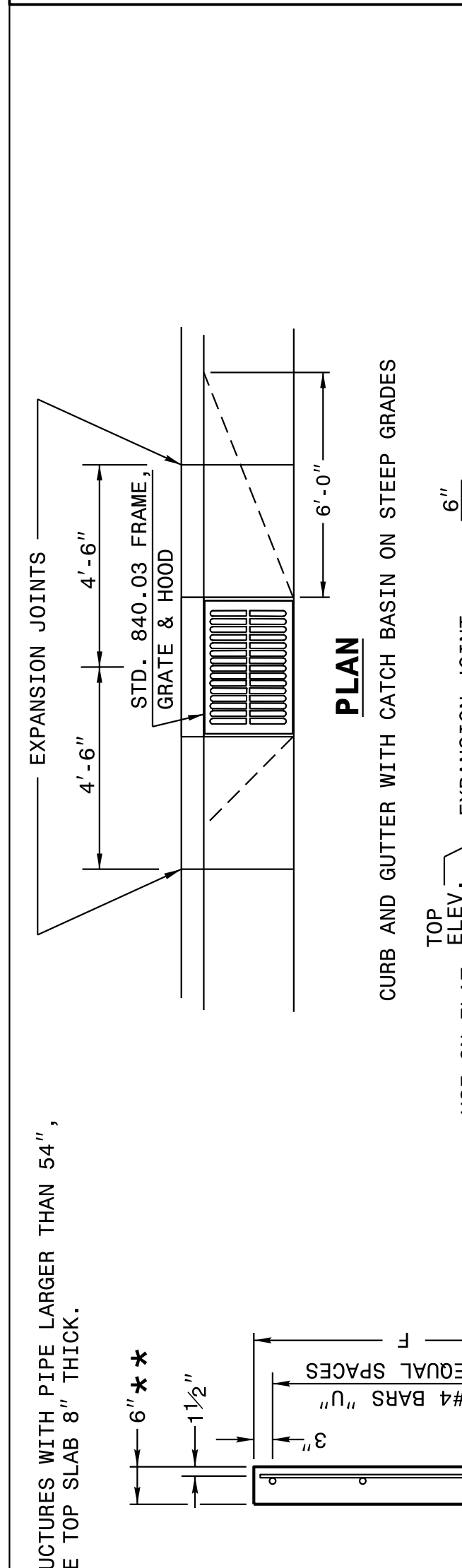
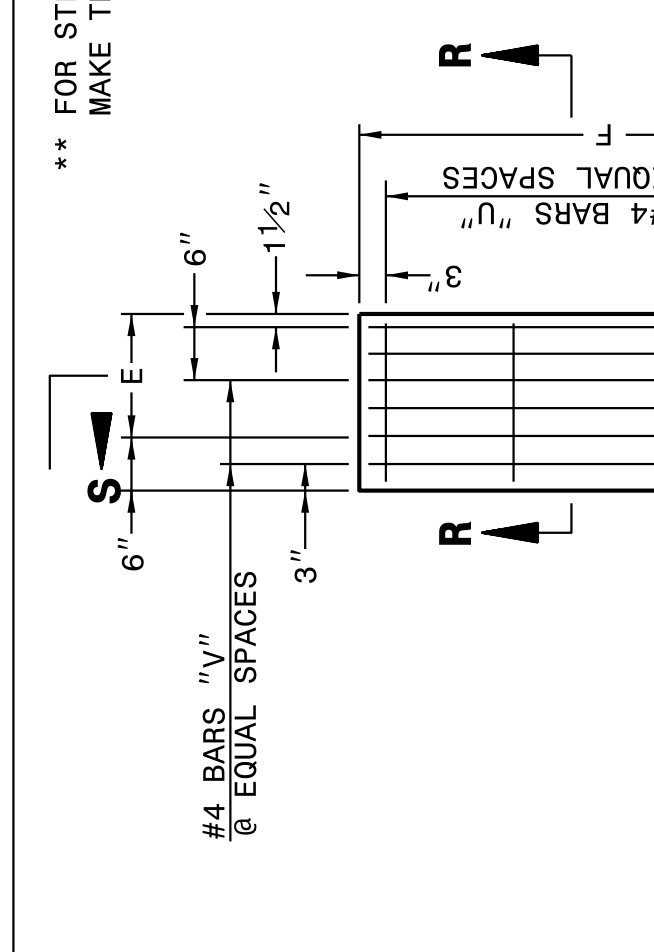


ENGLISH DETAIL DRAWING FOR  
**EXTRA DEPTH  
 CONCRETE CATCH BASIN**  
 12" THRU 84" PIPE

SHEET 1 OF 2  
**840D02**

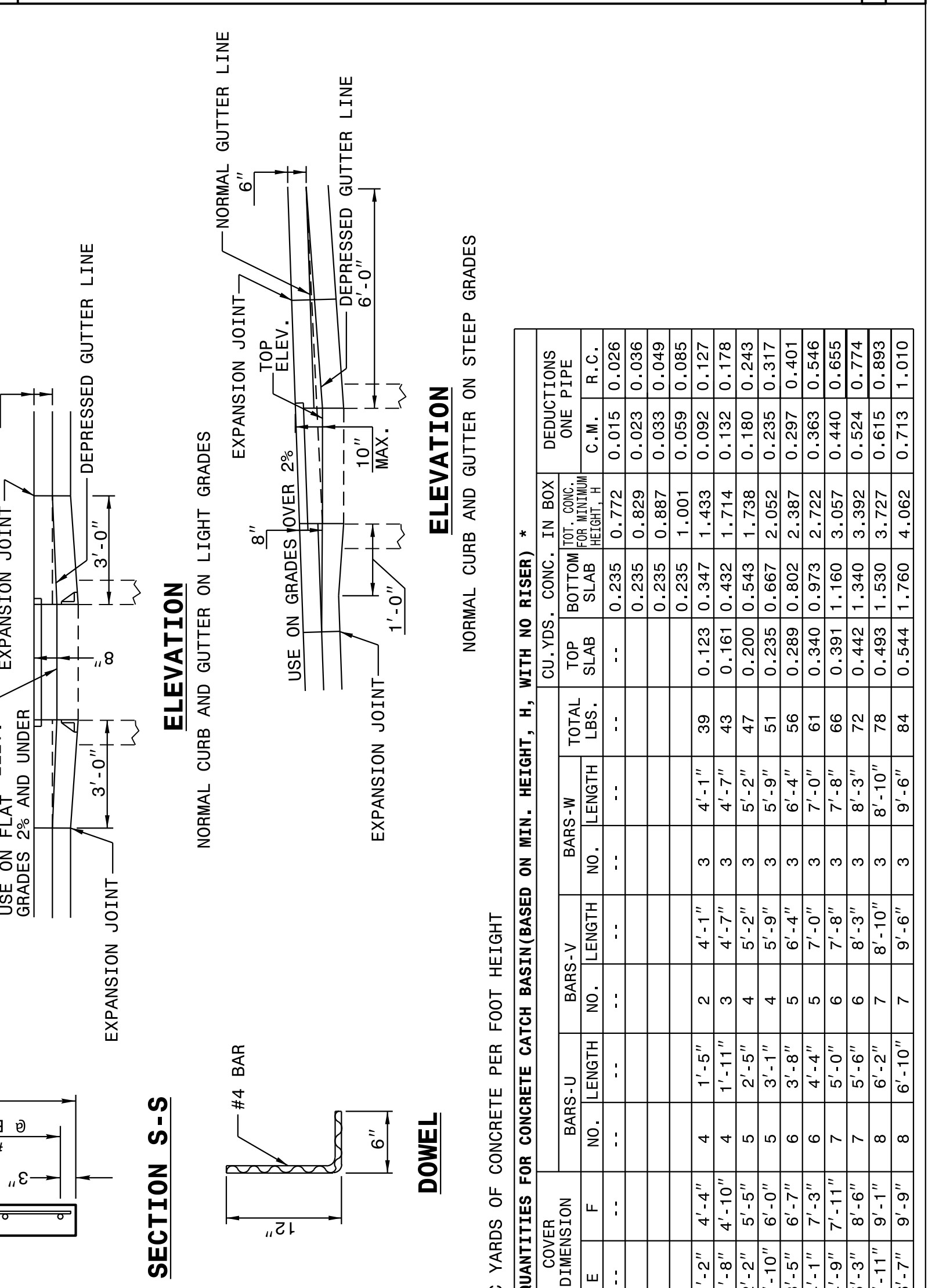
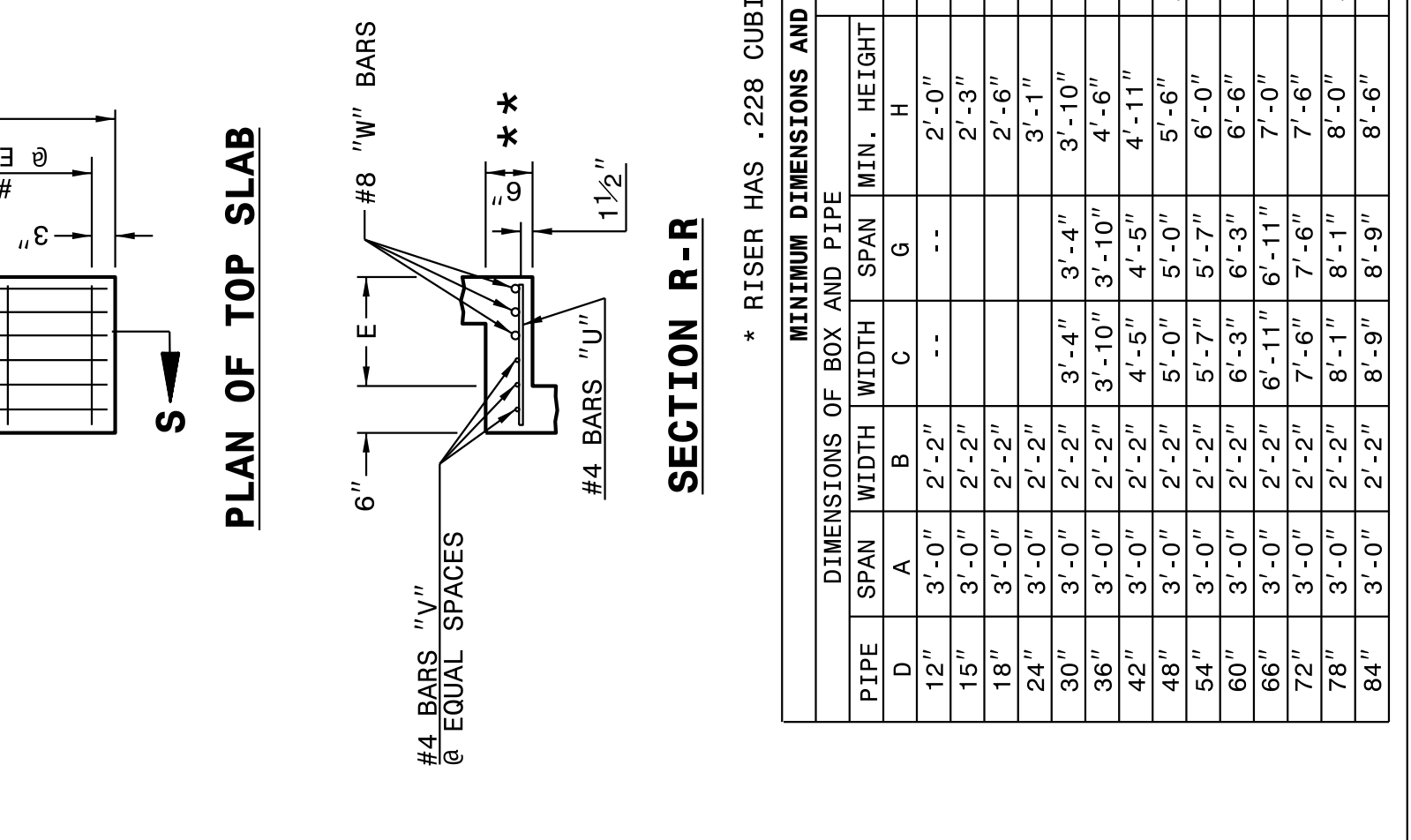
SHEET 1 OF 2  
**840D02**

STATE OF NORTH CAROLINA  
 DEPT. OF TRANSPORTATION  
 DIVISION OF HIGHWAYS  
 RALEIGH, N.C.



STATE OF NORTH CAROLINA  
 DEPT. OF TRANSPORTATION  
 DIVISION OF HIGHWAYS  
 RALEIGH, N.C.

ENGLISH DETAIL DRAWING FOR  
**EXTRA DEPTH  
 CONCRETE CATCH BASIN**  
 12" THRU 84" PIPE



ENGLISH DETAIL DRAWING FOR  
**EXTRA DEPTH  
 CONCRETE CATCH BASIN**  
 12" THRU 84" PIPE

SHEET 2 OF 2  
**840D02**

SHEET 2 OF 2  
**840D02**

\* RISER HAS .228 CUBIC YARDS OF CONCRETE PER FOOT HEIGHT

PIPE D.	MINIMUM DIMENSIONS OF BOX AND PIPE		COVER DIMENSION		BARS-V		BARS-W		TOTAL LBS.	CU. YDS. CONC. IN BOX	DEDUCTIONS							
	SPAN	WIDTH	MIN.	HEIGHT	NO.	LENGTH	NO.	LENGTH			TOP SLAB	BOTTOM SLAB	TOT. CONC. HEIGHT, H.	ONE PIPE				
12"	3'-0"	2'-2"	2'-0"	2'-3"	..	..	..	..	..	0.235	0.772	0.015	0.026					
15"	3'-0"	2'-2"	2'-0"	2'-3"	..	..	..	..	..	0.235	0.829	0.023	0.036					
18"	3'-0"	2'-2"	2'-0"	2'-3"	..	..	..	..	..	0.235	0.887	0.033	0.049					
24"	3'-0"	2'-2"	3'-1"	3'-1"	..	..	..	..	..	0.235	1.001	0.059	0.085					
30"	3'-0"	2'-2"	3'-4"	3'-10"	1'-2"	4'-4"	4	1'-5"	2	4'-1"	3	4'-1"	39	0.123	0.347	1.433	0.092	0.127
36"	3'-0"	2'-2"	3'-10"	3'-10"	1'-8"	4'-10"	4	1'-11"	3	4'-7"	3	4'-7"	43	0.200	0.543	1.738	0.180	0.243
42"	3'-0"	2'-2"	4'-5"	4'-5"	2'-2"	5'-5"	5	2'-5"	4	5'-2"	3	5'-2"	47	0.285	0.667	2.082	0.235	0.317
48"	3'-0"	2'-2"	5'-0"	5'-0"	2'-10"	6'-0"	5	3'-1"	4	5'-9"	3	5'-9"	51	0.289	0.802	2.387	0.297	0.401
54"	3'-0"	2'-2"	5'-7"	5'-7"	3'-5"	6'-7"	6	3'-8"	5	6'-4"	3	6'-4"	56	0.340	0.973	2.722	0.363	0.546
60"	3'-0"	2'-2"	6'-3"	6'-3"	4'-1"	7'-3"	6	4'-4"	5	7'-0"	3	7'-0"	61	0.391	1.160	3.057	0.440	0.655
66"	3'-0"	2'-2"	6'-11"	6'-11"	4'-9"	7'-11"	7	5'-0"	6	7'-8"	3	7'-8"	66	0.442	1.340	3.392	0.524	0.774
72"	3'-0"	2'-2"	7'-6"	7'-6"	5'-3"	8'-6"	7	5'-6"	6	8'-3"	3	8'-3"	72	0.493	1.530	3.727	0.615	0.893
78"	3'-0"	2'-2"	8'-1"	8'-1"	5'-11"	9'-1"	8	6'-2"	7	8'-10"	3	8'-10"	78	0.544	1.760	4.062	0.713	1.010
84"	3'-0"	2'-2"	8'-9"	8'-9"	6'-7"	9'-9"	8	6'-10"	7	9'-6"	3	9'-6"	84	0.544	1.760	4.062	0.713	1.010

DOCUMENT NOT CONSIDERED FINAL  
 UNLESS ALL SIGNATURES COMPLETED

**CONTRACT STANDARDS  
 AND DEVELOPMENT UNIT**  
 Office 919-707-6950 FAX 919-250-4119

**SEE PLATE FOR TITLE**

ORIGINAL BY: 2002 Std.840.01 DATE: \_\_\_\_\_  
 MODIFIED BY: E.E. WARD DATE: 3-1-02  
 CHECKED BY: \_\_\_\_\_ DATE: \_\_\_\_\_  
 FILE SPEC.: jhewerton/840d02 Extra\_Depth CB.dgn



9/23/2011