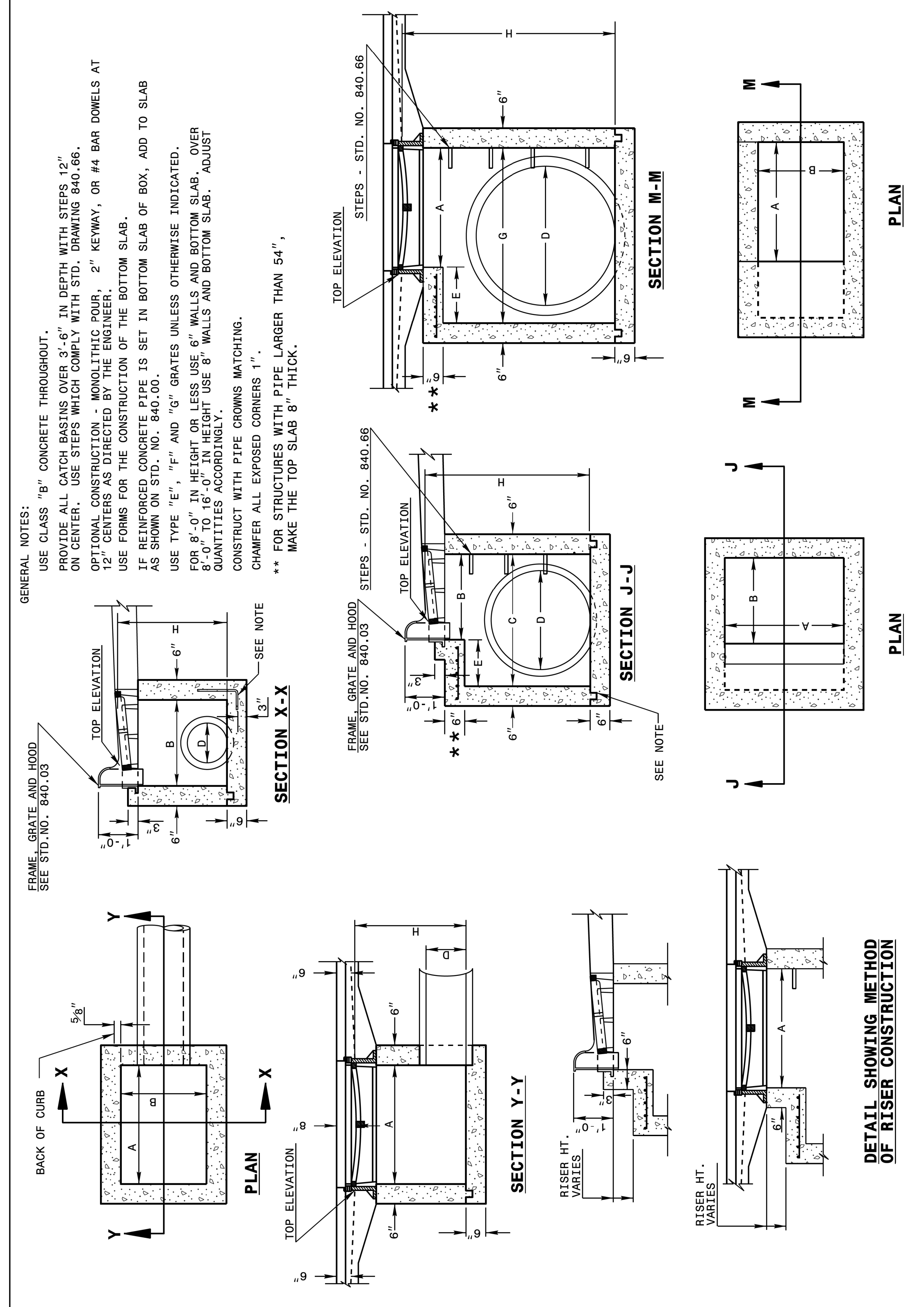


10-AUG-2017 10:41
 S:\Contracts\Special Details\jhowerton\840d02 Min Depth CB.dgn
 jhowerton AT CSD-292595

5/14/99

STATE OF NORTH CAROLINA
DEPT. OF TRANSPORTATION
DIVISION OF HIGHWAYS
RALEIGH, N.C.

STATE OF NORTH CAROLINA
DEPT. OF TRANSPORTATION
DIVISION OF HIGHWAYS
RALEIGH, N.C.



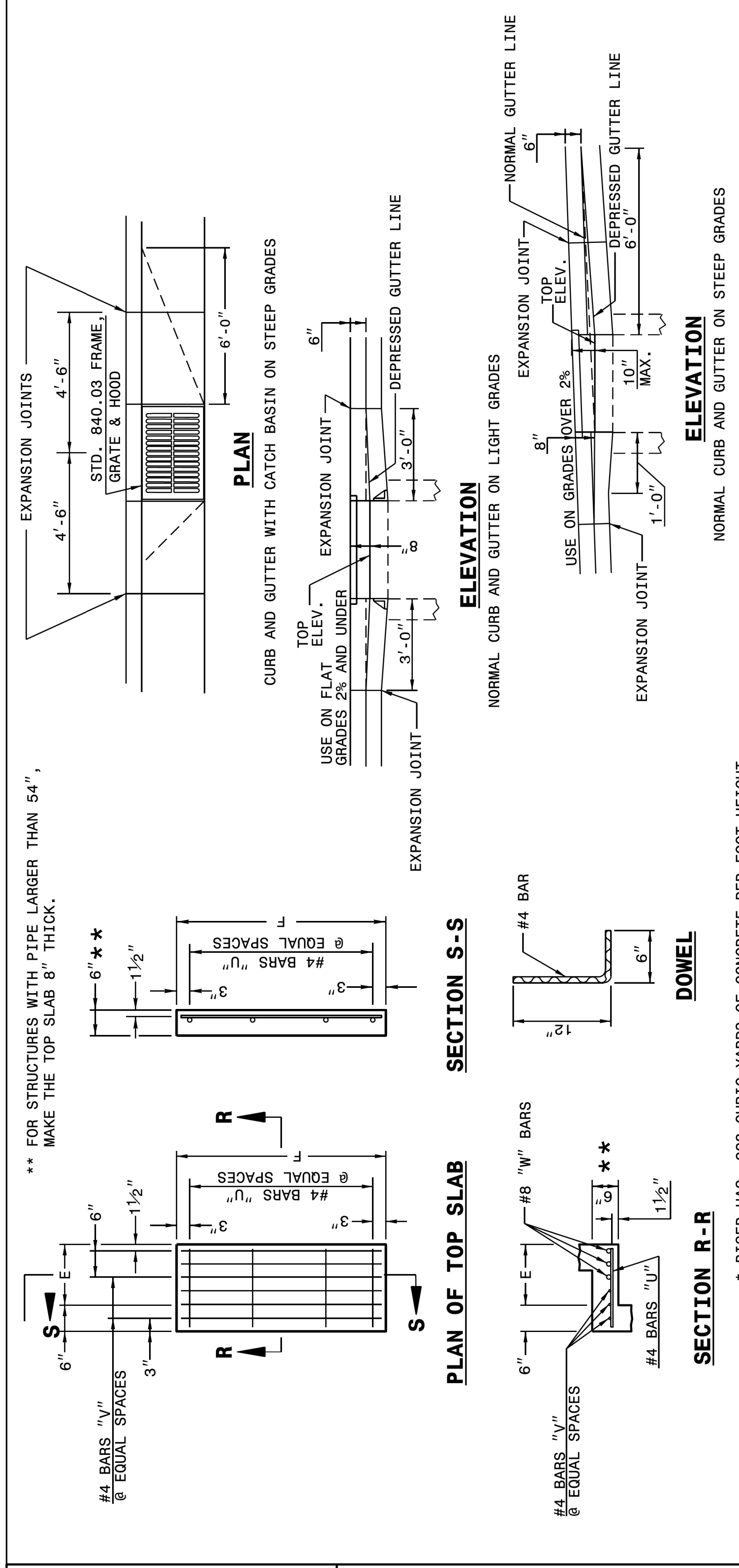
ENGLISH DETAIL DRAWING FOR
MINIMUM DEPTH CONCRETE CATCH BASIN
12" THRU 84" PIPE

SHEET 1 OF 2
840D02

SHEET 1 OF 2
840D02

STATE OF NORTH CAROLINA
DEPT. OF TRANSPORTATION
DIVISION OF HIGHWAYS
RALEIGH, N.C.

STATE OF NORTH CAROLINA
DEPT. OF TRANSPORTATION
DIVISION OF HIGHWAYS
RALEIGH, N.C.



ENGLISH DETAIL DRAWING FOR
MINIMUM DEPTH CONCRETE CATCH BASIN
12" THRU 84" PIPE

SHEET 2 OF 2
840D02

SHEET 2 OF 2
840D02

* RISER HAS .228 CUBIC YARDS OF CONCRETE PER FOOT HEIGHT

PIPE D.	MINIMUM DIMENSIONS OF BOX AND PIPE COVER			BARS-U NO.	BARS-V LENGTH	BARS-W NO.	TOTAL LBS.	CU. YDS. CONC. IN BOX	DEDUCTIONS				
	SPAN	WIDTH	HEIGHT						TOP SLAB	BOTTOM SLAB	FOR MINIMUM HEIGHT, R.C.M.	ONE PIPE	R.C.
12"	3'-0"	2'-2"	2'-0"	0.235	0.772	0.015	0.026	
15"	3'-0"	2'-2"	2'-3"	0.235	0.829	0.023	0.036	
18"	3'-0"	2'-2"	2'-6"	0.235	0.887	0.033	0.049	
24"	3'-0"	2'-2"	3'-1"	0.235	1.001	0.059	0.085	
30"	3'-0"	2'-2"	3'-4"	4	1'-5"	2	4'-1"	39	0.123	0.347	1.433	0.092	0.127
36"	3'-0"	2'-2"	3'-10"	4	1'-11"	3	4'-7"	43	0.161	0.432	1.714	0.132	0.178
42"	3'-0"	2'-2"	4'-5"	5	2'-5"	4	5'-2"	47	0.200	0.543	1.738	0.180	0.243
48"	3'-0"	2'-2"	5'-0"	5	3'-1"	4	5'-9"	51	0.235	0.667	2.052	0.235	0.317
54"	3'-0"	2'-2"	5'-7"	6	3'-8"	5	6'-4"	56	0.289	0.802	2.387	0.287	0.401
60"	3'-0"	2'-2"	6'-3"	6	4'-4"	5	7'-0"	61	0.340	0.973	2.722	0.363	0.546
66"	3'-0"	2'-2"	6'-11"	7	5'-0"	6	7'-8"	66	0.391	1.160	3.057	0.440	0.655
72"	3'-0"	2'-2"	7'-6"	7	5'-6"	6	8'-3"	72	0.442	1.340	3.392	0.524	0.774
78"	3'-0"	2'-2"	8'-1"	8	6'-2"	7	8'-10"	78	0.493	1.530	3.727	0.615	0.893
84"	3'-0"	2'-2"	8'-9"	8	6'-7"	8	9'-6"	84	0.544	1.760	4.062	0.713	1.010

6/15/2021

DocuSigned by:
Jon S. Hunt
#3F3D17D0C45F

SEAL 022966
NORTH CAROLINA PROFESSIONAL ENGINEER
Jon S. Hunt

DOCUMENT NOT CONSIDERED FINAL UNLESS ALL SIGNATURES COMPLETED

CONTRACT STANDARDS AND DEVELOPMENT UNIT
Office 919-707-6950 FAX 919-250-4119

SEE PLATE FOR TITLE

ORIGINAL BY: 2002 Std.840.01 DATE: _____
 MODIFIED BY: E.E. WARD DATE: 3-1-02
 CHECKED BY: _____ DATE: _____
 FILE SPEC.: s:Special Details/jhowerton/840d02.dgn