

STATE OF NORTH CAROLINA
DEPT. OF TRANSPORTATION
DIVISION OF HIGHWAYS
RALEIGH, N.C.

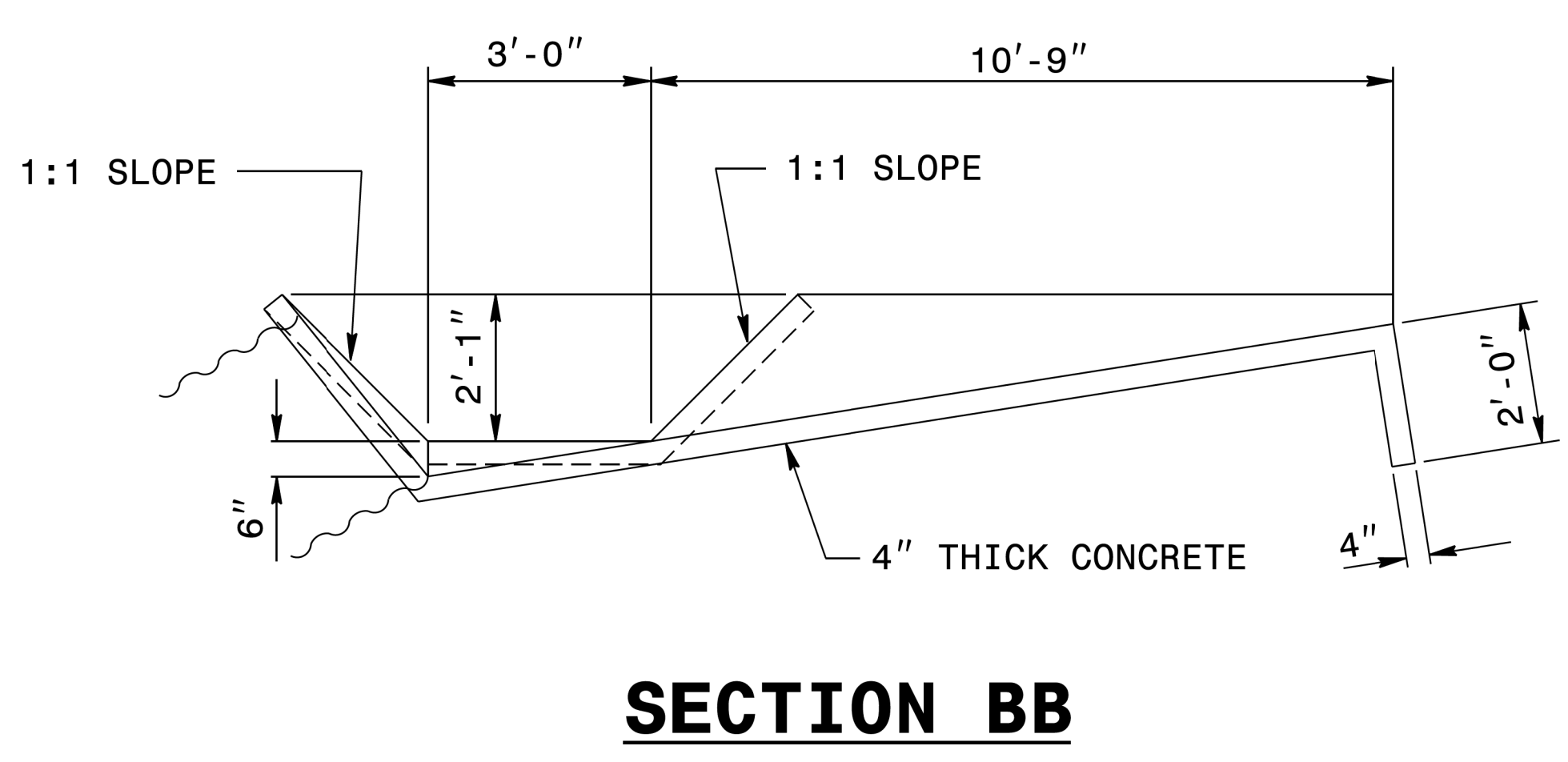
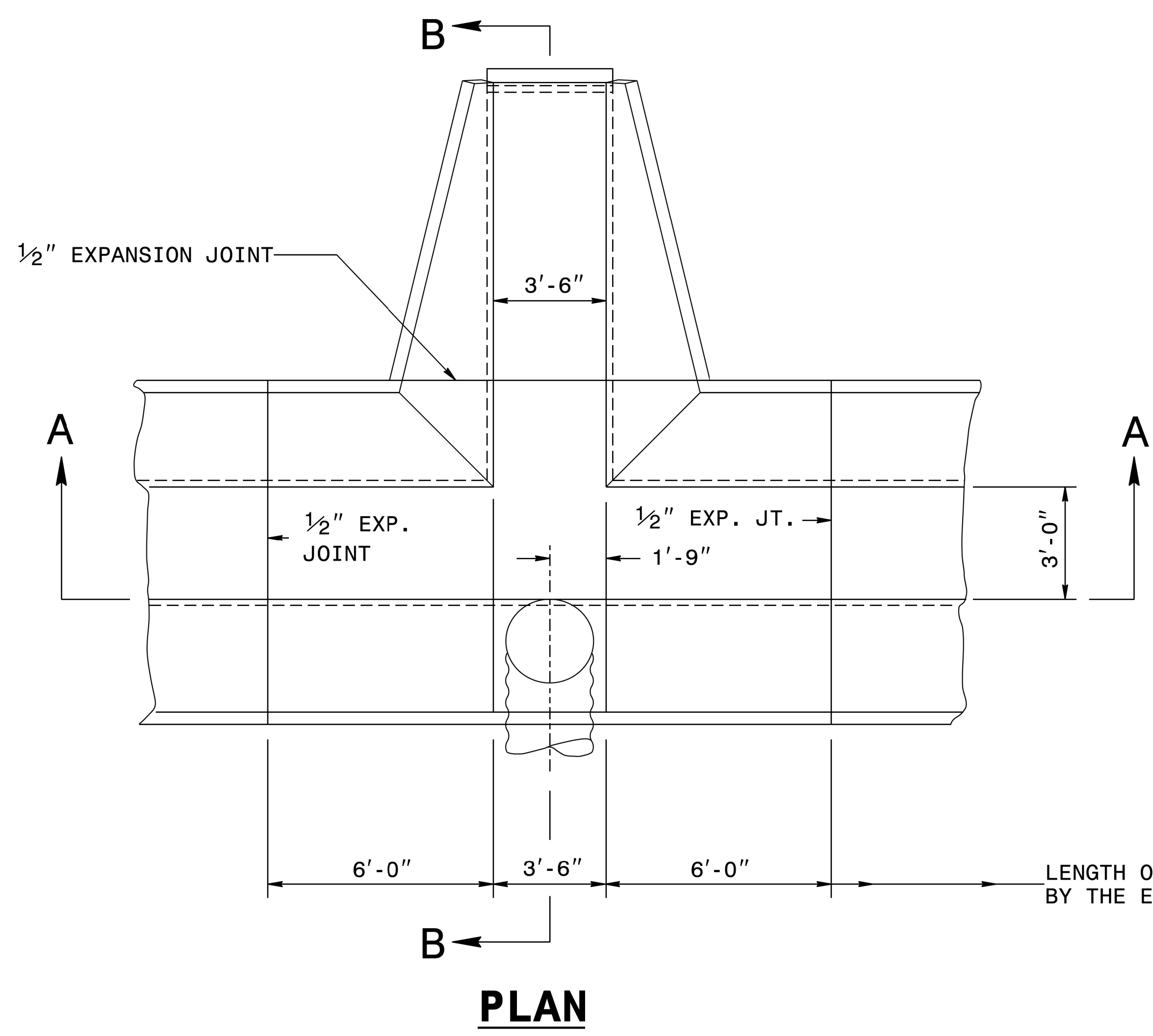
ENGLISH DETAIL DRAWING FOR
GUIDE FOR BERM DRAINAGE OUTLET
36" PIPE

SHEET 1 OF 1
850D11

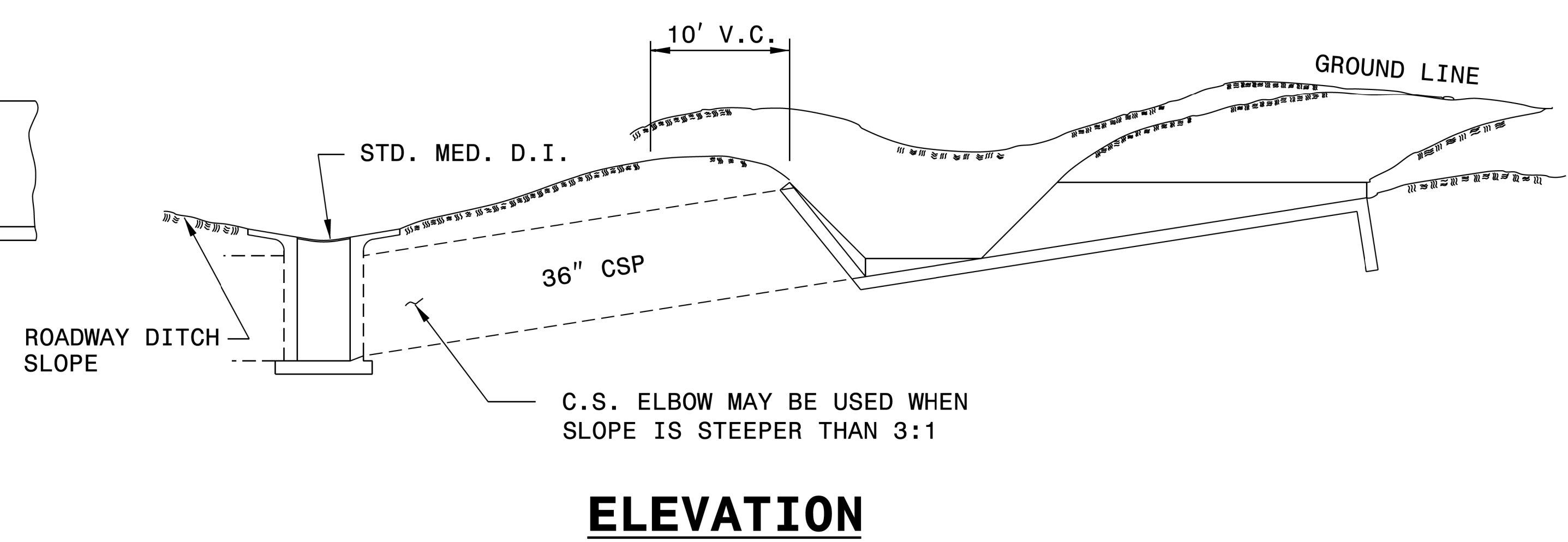
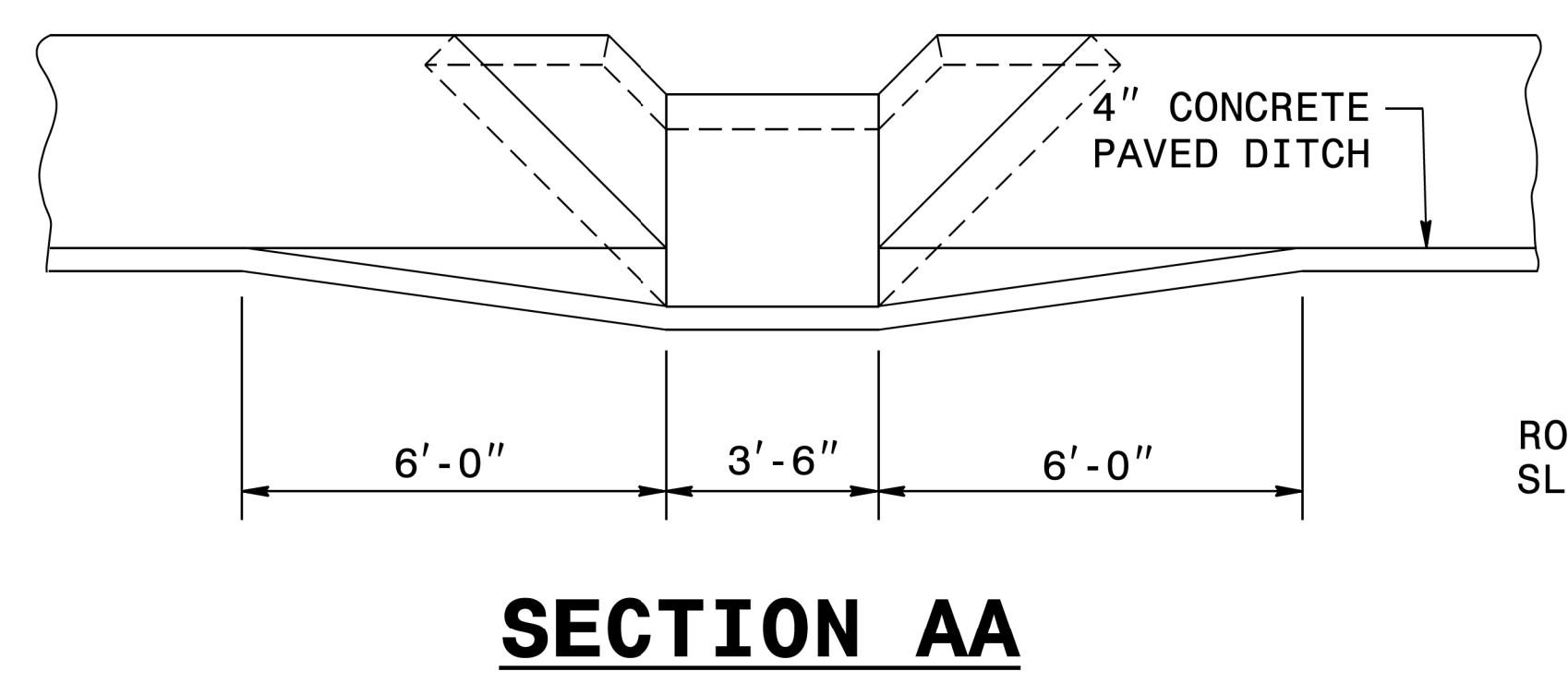
STATE OF NORTH CAROLINA
DEPT. OF TRANSPORTATION
DIVISION OF HIGHWAYS
RALEIGH, N.C.

ENGLISH DETAIL DRAWING FOR
GUIDE FOR BERM DRAINAGE OUTLET
36" PIPE

SHEET 1 OF 1
850D11



GENERAL NOTES:
WHERE NECESSARY, ELBOWS MAY BE USED TO SKEW PIPE TO FIT INLETS WHERE THERE IS OFFSET BETWEEN THE INLET END AT BERM AND THE D.I.



30-APR-2018 09:40 S:\Contracts\Contractors\Special\Details\Vericard\usr\details\stand\850d11.dgn J. Howerton AT CSU-292595

6/15/2021



Designed by
Daniel S. Howerton
873F3017DCDC45F...

DOCUMENT NOT CONSIDERED FINAL
UNLESS ALL SIGNATURES COMPLETED

CONTRACT STANDARDS
AND DEVELOPMENT UNIT
Office 919-707-6950 FAX 919-250-4119

SEE PLATE FOR TITLE

ORIGINAL BY: 2002 STANDARDS DATE: 01-15-02
MODIFIED BY: E.E. WARD DATE: 10-26-04
CHECKED BY: DATE:
FILE SPEC.: usr/details/stand/850d01.dgn