

STATE OF NORTH CAROLINA
DEPT. OF TRANSPORTATION
DIVISION OF HIGHWAYS
RALEIGH, N.C.

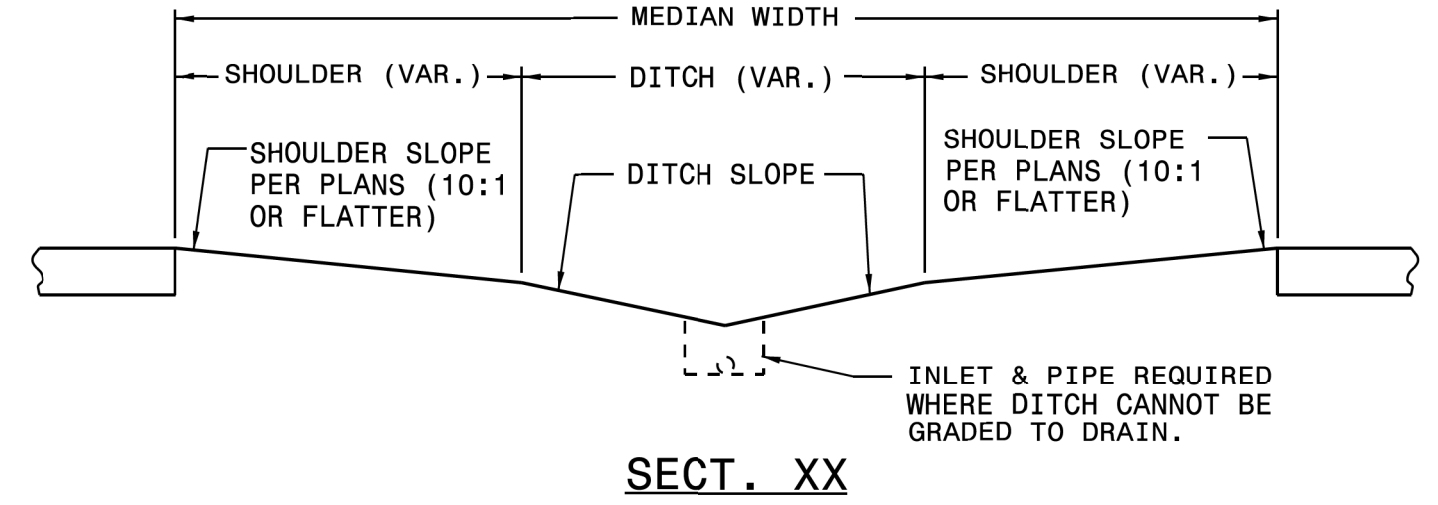
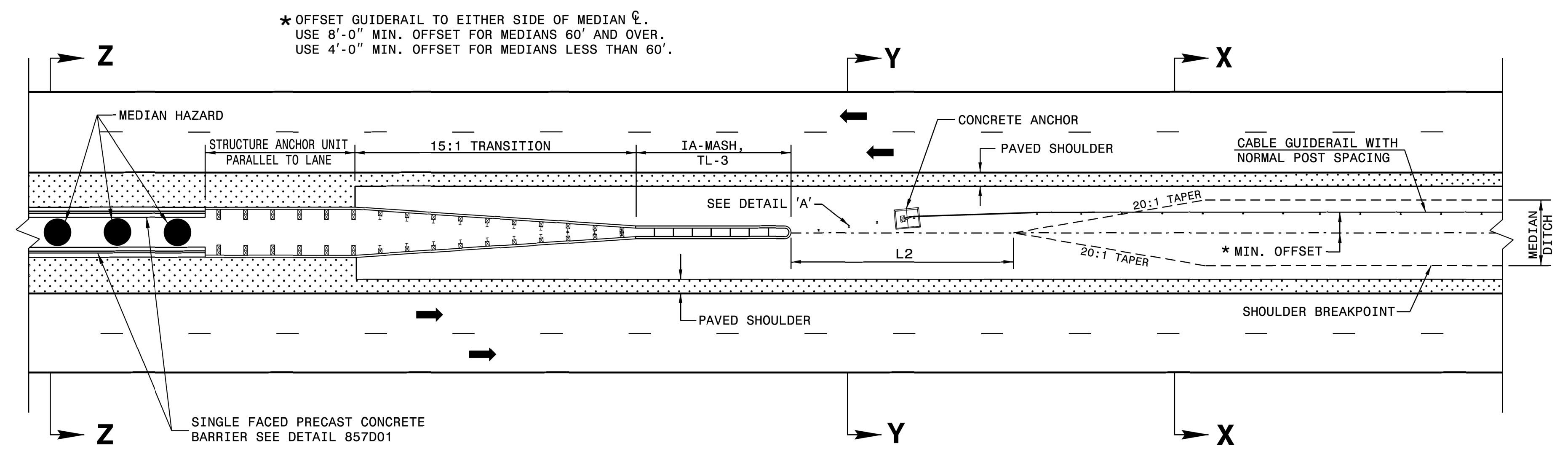
ROADWAY DETAIL DRAWING FOR
CABLE GUIDERAIL
MEDIAN HAZARD GUIDERAIL LAYOUT

SHEET 1 OF 12
865D01

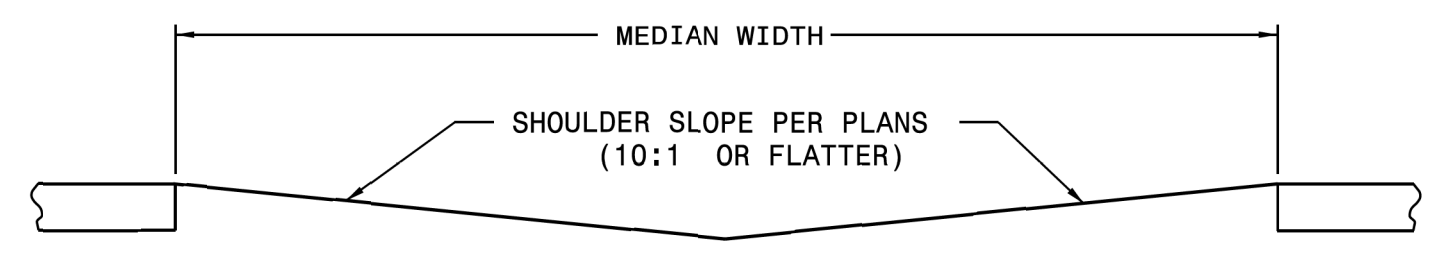
STATE OF NORTH CAROLINA
DEPT. OF TRANSPORTATION
DIVISION OF HIGHWAYS
RALEIGH, N.C.

ROADWAY DETAIL DRAWING FOR
CABLE GUIDERAIL
MEDIAN HAZARD GUIDERAIL LAYOUT

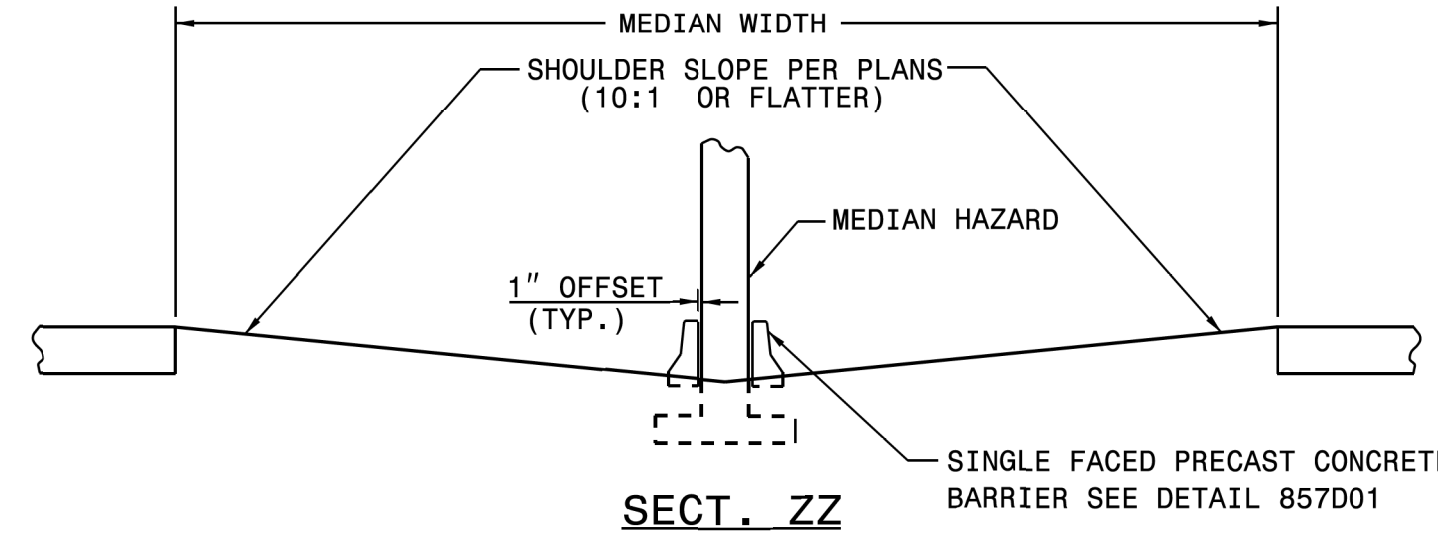
SHEET 1 OF 12
865D01



SECT. XX

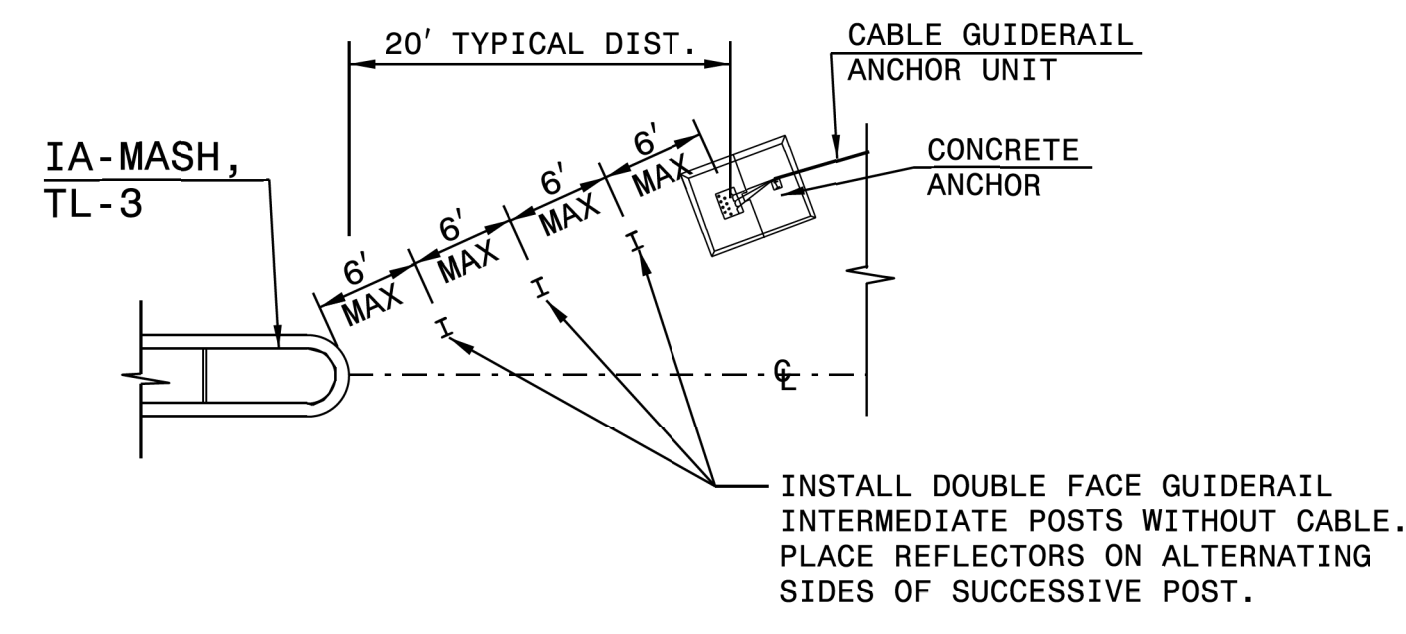


SECT. YY



SECT. ZZ

LIMITS OF -L2-	
MEDIAN WIDTH	-L2- DIMENSION
30'	80.0'
36'	60.0'
40' & ABOVE	40.0'



NOTE: POSTS WILL ONLY BE PLACED IN ONE OF THE TWO OPENINGS AT EACH MEDIAN HAZARD UNLESS OTHERWISE DIRECTED BY THE ENGINEER.

DETAIL 'A'

DETAIL OF TREATMENT AT MEDIAN HAZARDS

31-JAN-2019 10:43 S:\Contracts\Projects\865D01\Drawings\Standard Drawings\Details in Lieu of Standards\Division 8\865D01 Impact Attenuator - Sheet 1.dgn Jhowerton HT CS0-2/2/19

6/15/2021



DocuSigned by:
J. S. Howerton
073F3D170C0C45E

DOCUMENT NOT CONSIDERED FINAL
UNLESS ALL SIGNATURES COMPLETED

CONTRACT STANDARDS AND DEVELOPMENT UNIT
Office 919-707-6950 FAX 919-250-4119

SEE TITLE BLOCK

ORIGINAL BY: J. HOWERTON DATE: 08-23-18
MODIFIED BY: DATE:
CHECKED BY: DATE:
FILE SPEC.: