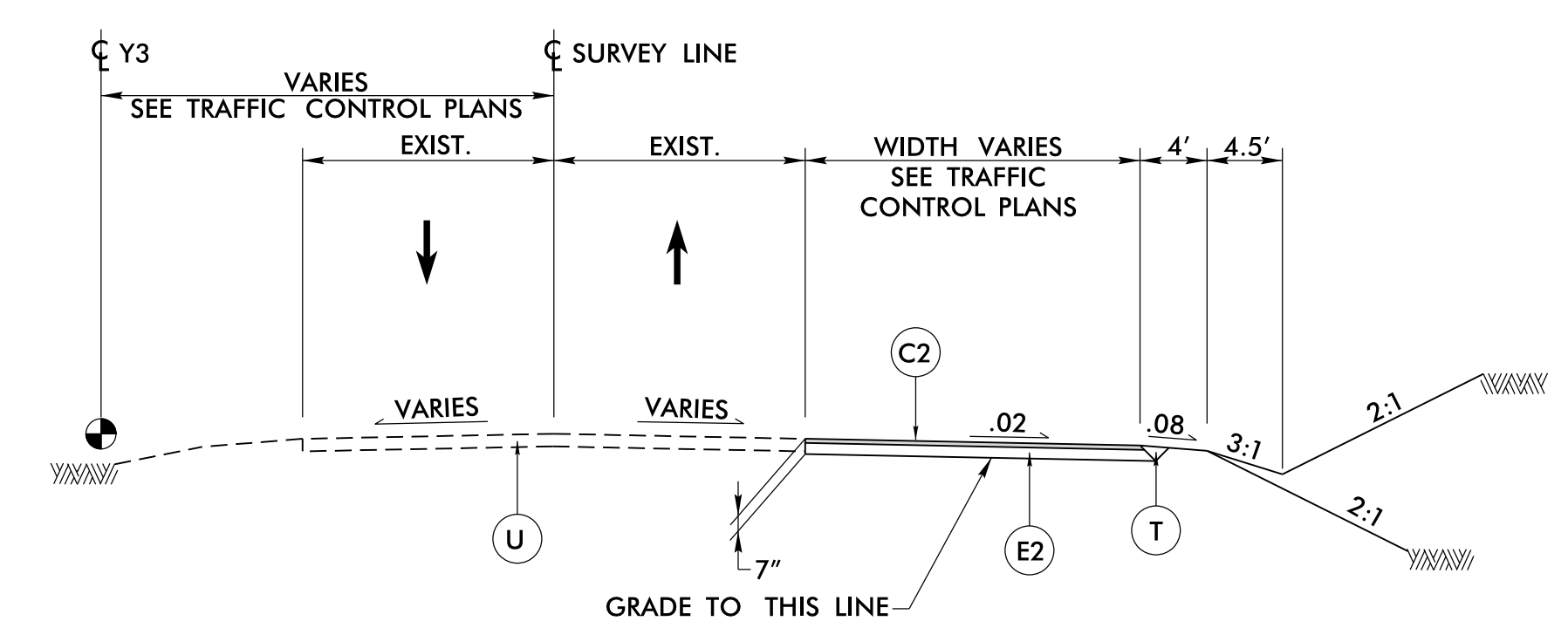


**PAVEMENT SCHEDULE (FINAL)**

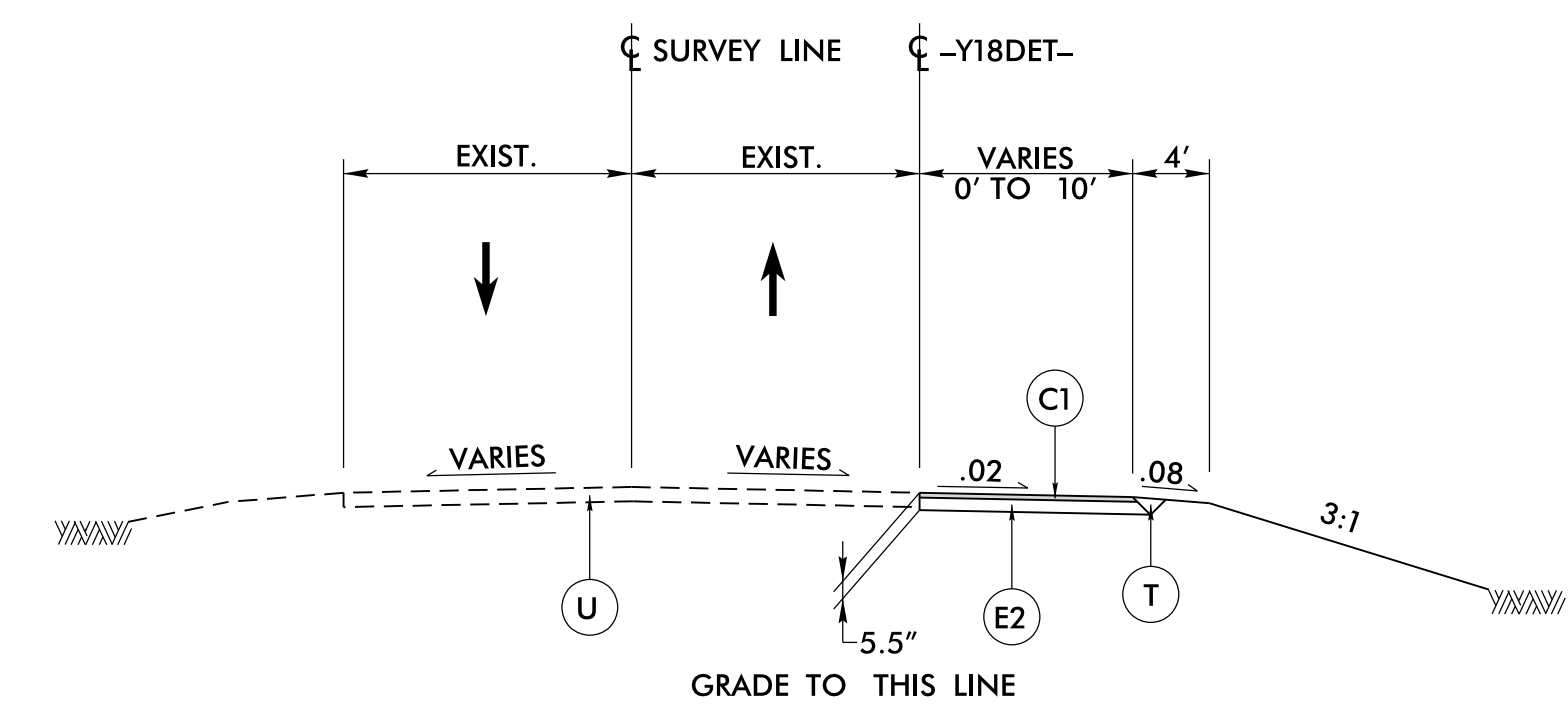
ITEM	DESCRIPTION	ITEM	DESCRIPTION	ITEM	DESCRIPTION	ITEM	DESCRIPTION	ITEM	DESCRIPTION	ITEM	DESCRIPTION	ITEM	DESCRIPTION	ITEM	DESCRIPTION				
(A1)	7" CONCRETE	(C4)	3" S9.5C	(D3)	VAR DEPTH I19.0C	(E4)	5" B25.0C	(K1)	CHEMICAL STABILIZATION: 7" SOIL-CEMENT BASE OR 8" LIME-TREATED SOIL	(R1)	2'-6" CONCRETE CURB & GUTTER	(R5)	8"x12" CONCRETE CURB	(U)	EXIST. PAVEMENT				
(C1)	1.5" S9.5B	(C5)	VAR DEPTH S9.5C	(E1)	3" B25.0C	(E5)	VAR DEPTH B25.0C	(K2)	8" CLASS IV SUBGRADE STABILIZATION	(R2)	SHOULDER BERM GUTTER	(R6)	CONCRETE EXPRESSWAY GUTTER	(Z)	MILLED RUMBLE STRIP				
(C2)	3" S9.5B	(D1)	2.5" I19.0C	(E2)	4" B25.0C	(J1)	6" ABC	(N1)	GEOTEXTILE FOR SOIL STABILIZATION	(R3)	5" CONC. ISLAND	(S)	4" CONC. SIDEWALK	(V1)	(V2)	(V3)	(V4)	PAVEMENT MILLING	
(C3)	VAR DEPTH S9.5B	(D2)	4" I19.0C	(E3)	4.5" B25.0C	(J2)	8" ABC	(N2)	GEOTEXTILE FOR PAVEMENT STABILIZATION	(P)	PRIME COAT	(R4)	2' MODIFIED VALLEY GUTTER	(T)	EARTH	(W1)	(W2)	(W3)	VARIABLE DEPTH PAVEMENT WEDGING

PROJECT REFERENCE NO. R-2233BB	SHEET NO. 2A-9
ROADWAY DESIGN ENGINEER 	PAVEMENT DESIGN ENGINEER 
<b>DOCUMENT NOT CONSIDERED FINAL</b> <b>UNLESS ALL SIGNATURES COMPLETED</b>	
<small>2410 WYCLIFF ROAD RALEIGH, NC 27607 PHONE: 919 881-9959 NC CCA No. F-0628</small> <small>NC DEPARTMENT OF TRANSPORTATION PAVEMENT MANAGEMENT UNIT 1593 MAIL SERVICE CENTER RALEIGH, NC 27699-1593</small>	



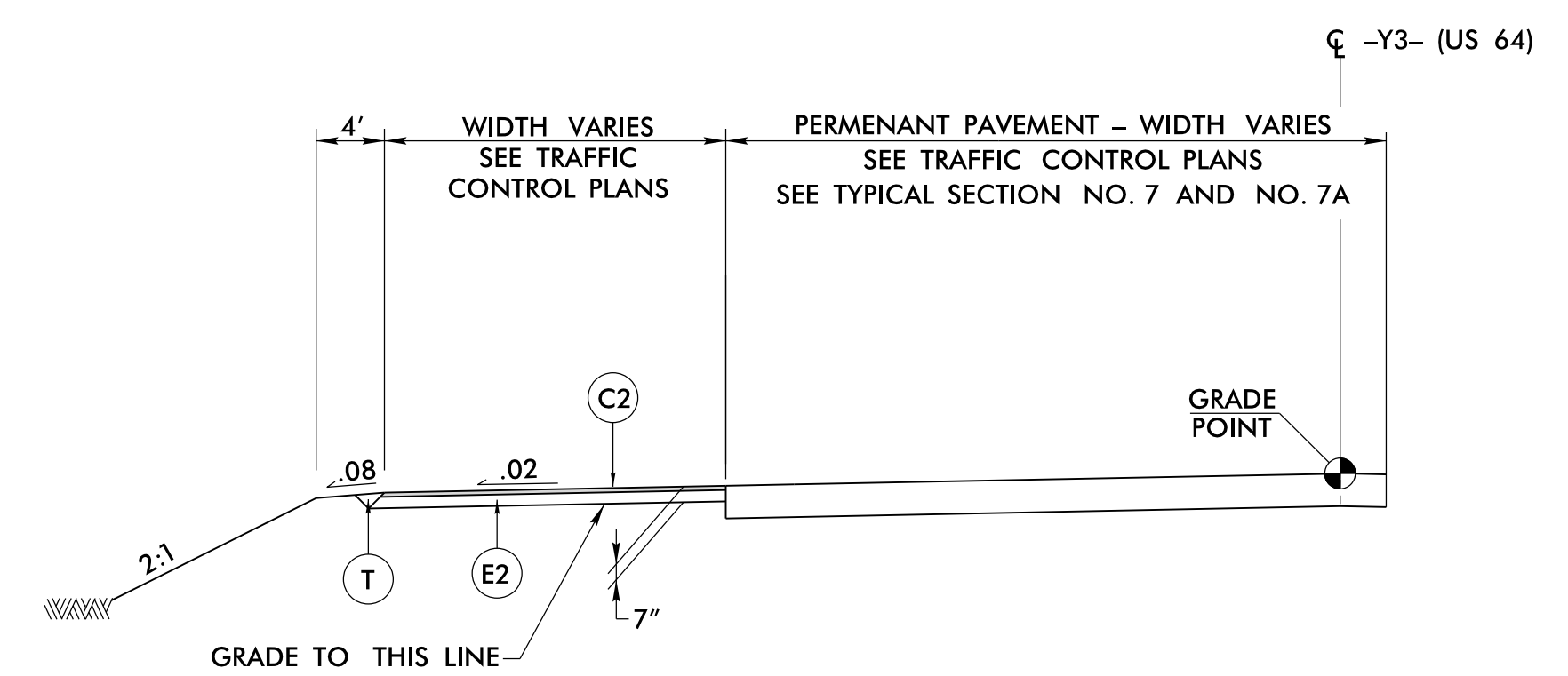
**TYPICAL SECTION NO. 26**

TEMPORARY PAVEMENT FROM  
-Y3- 13+75.00 TO 23+00.00 RT



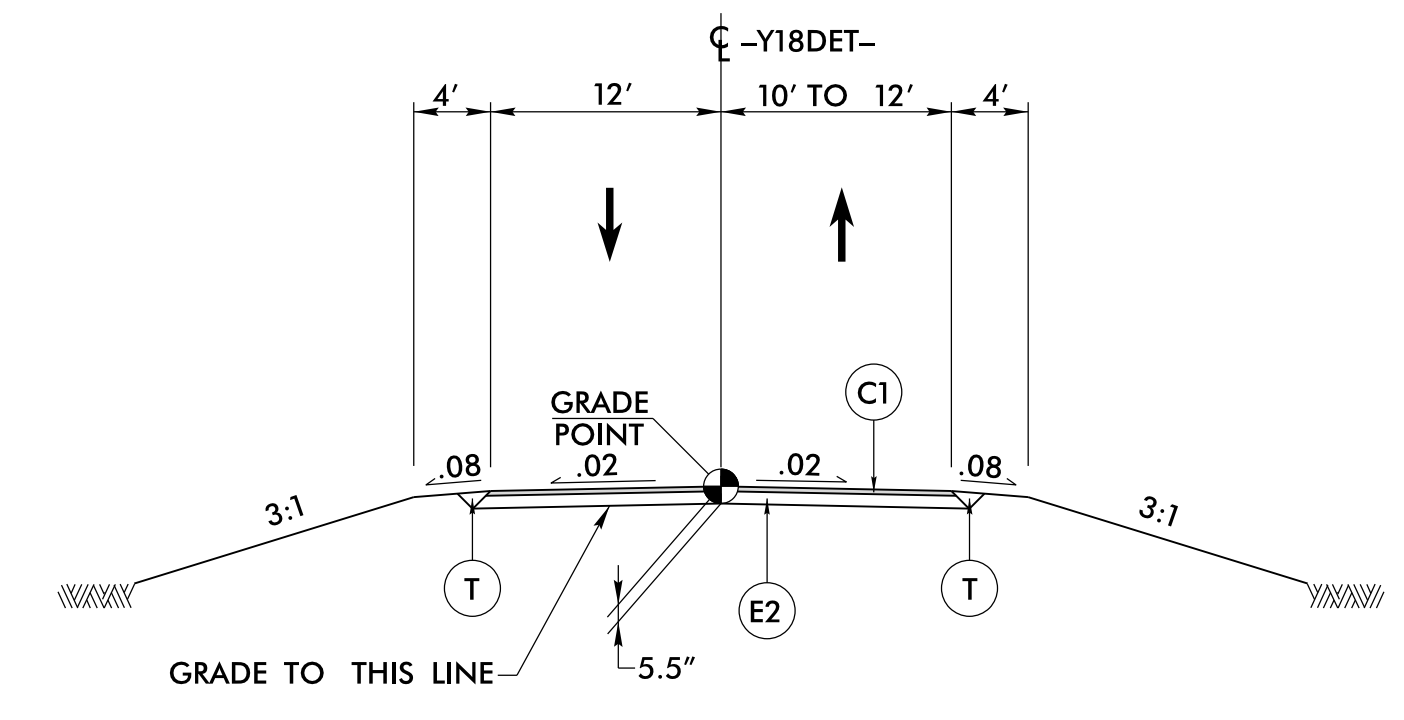
**TYPICAL SECTION NO. 28**

TEMPORARY PAVEMENT FROM  
-Y18DET- 10+00.00 TO 10.76.97



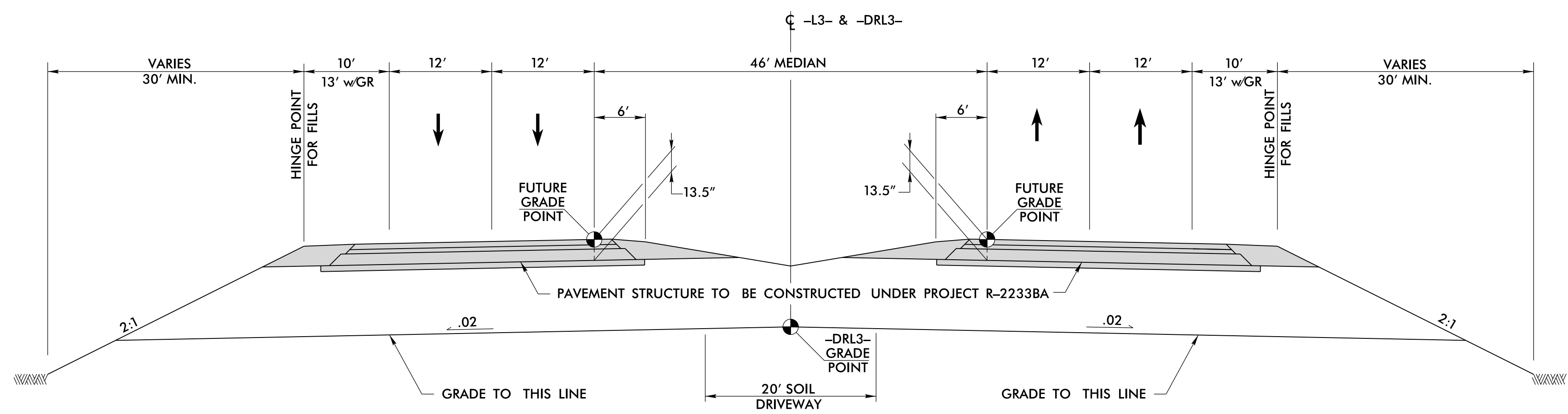
**TYPICAL SECTION NO. 27**

TEMPORARY PAVEMENT FROM  
-Y3- 12+50.00 TO 19+50.00



**TYPICAL SECTION NO. 29**

TEMPORARY PAVEMENT FROM  
-Y18DET- 10+76.97 TO 13+80.03



**TYPICAL SECTION NO. 30**

**SOUTHBOUND LANES**

-L3- 733+30.00 TO -L3- 743+21.39

**NORTHBOUND LANES**

-L3- 733+30.00 TO -L3- 743+21.39

8/2/2021

8/10/2021 3:28:10 PM  
R:\2233BB\RDY\_TYP\_2A-9.DGN  
IT:RFB