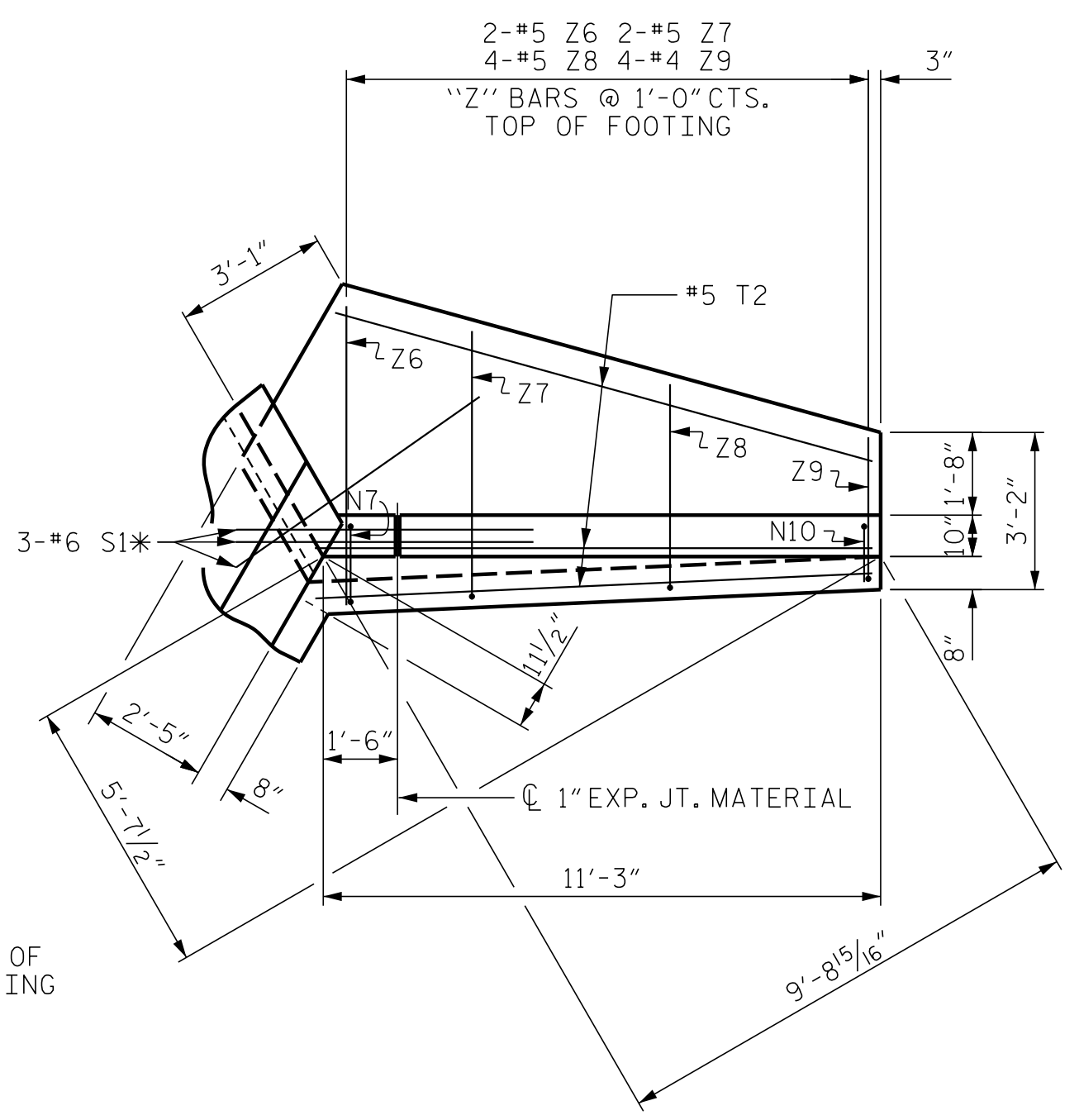
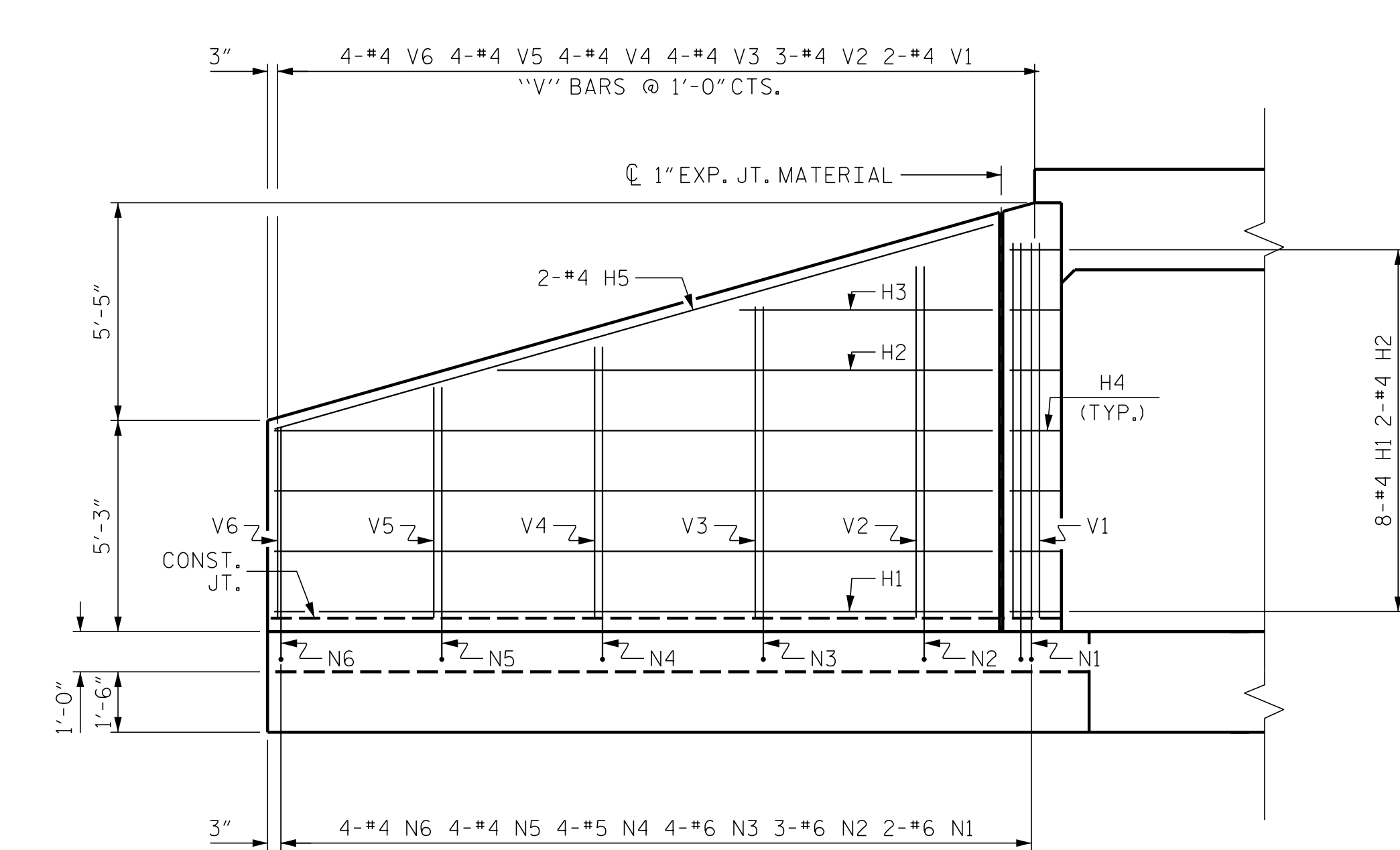


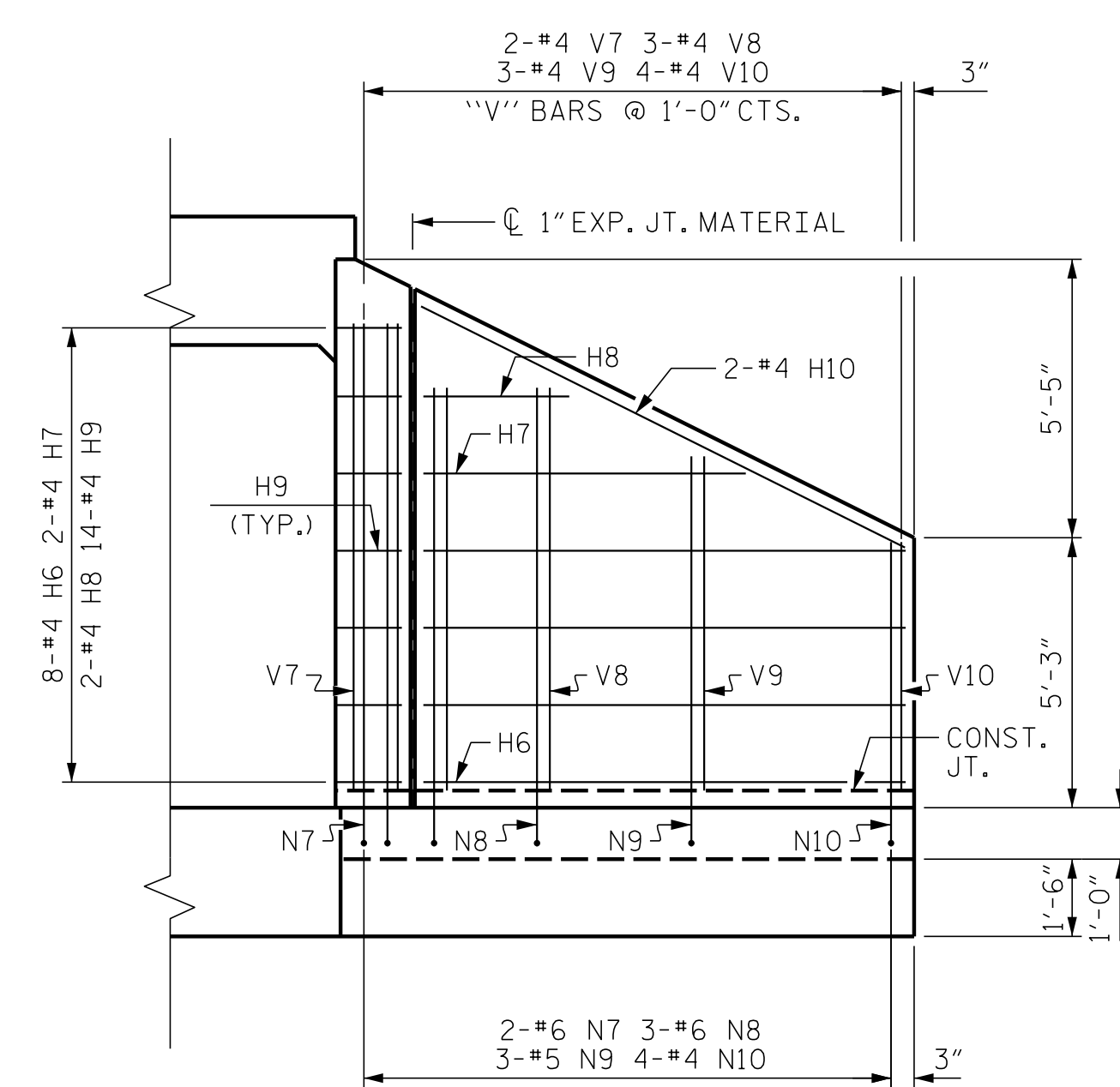
PLAN (W1)



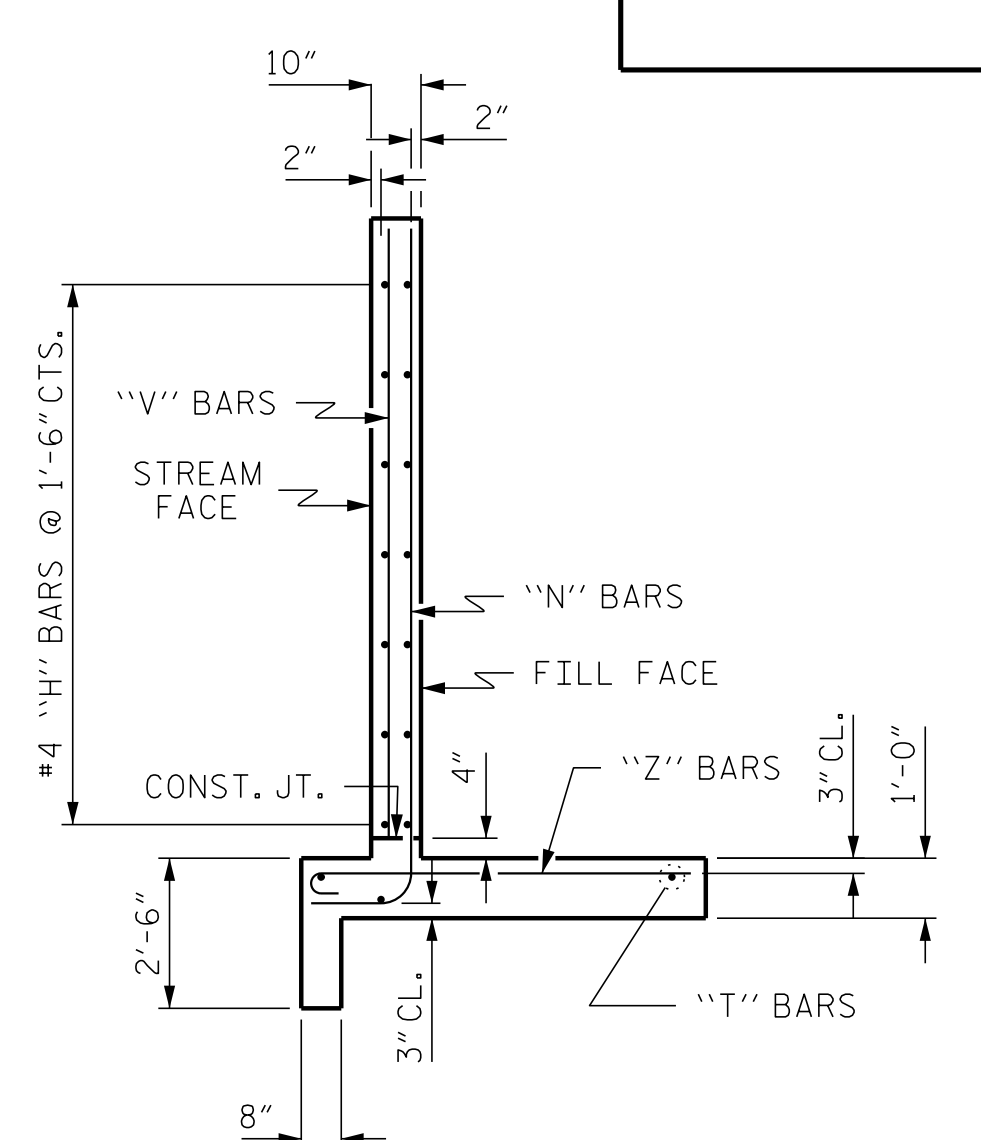
PLAN (W2)



ELEVATION (W1)



ELEVATION (W2)



TYPICAL WING SECTION

BAR TYPES

ALL BAR DIMENSIONS ARE OUT TO OUT.

1

2

3

4

6" RAD.

8"

9 1/2"

N1 N2 N3 N4 N5 N6 N7 N8 N9 N10

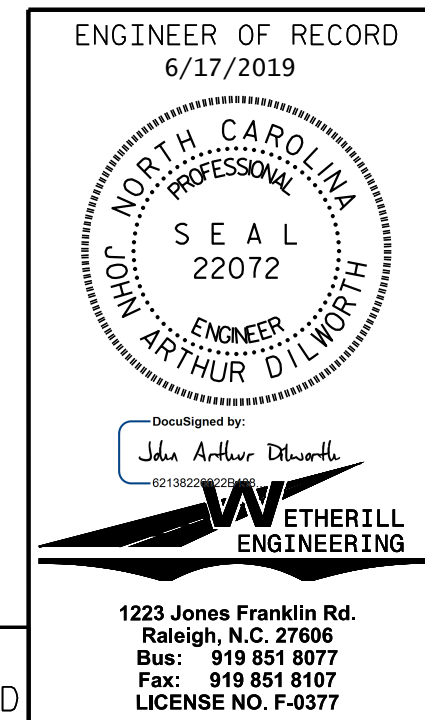
9'-10 1/2"
9'-3 1/2"
8'-4 1/2"
7'-4 1/2"
6'-4 1/2"
5'-4 1/2"
9'-8 1/2"
8'-5 1/2"
7'-1 1/2"
5'-4 1/2"

Z1 6'-2" 7"
Z2 5'-8" 7"
Z3 4'-8" 7"
Z4 3'-9" 7"
Z5 2'-10" 6"
Z6 6'-0" 7"
Z7 5'-5" 7"
Z8 4'-2" 7"
Z9 2'-10" 6"

HK.

BILL OF MATERIAL					
BAR	NO.	SIZE	TYPE	LENGTH	WEIGHT
H1	16	#4	STR	17'-10"	191
H2	4	#4	STR	12'-4"	33
H3	4	#4	STR	6'-3"	17
H4	28	#4	1	3'-3"	61
H5	4	#4	STR	18'-5"	49
H6	8	#4	STR	9'-4"	50
H7	2	#4	STR	6'-3"	8
H8	2	#4	STR	2'-10"	4
H9	14	#4	2	3'-3"	30
H10	2	#4	STR	10'-2"	14
N1	4	#6	3	11'-4"	68
N2	6	#6	3	10'-9"	97
N3	8	#6	3	9'-10"	118
N4	8	#5	3	8'-10"	74
N5	8	#4	3	7'-10"	42
N6	8	#4	3	6'-10"	37
N7	2	#6	3	11'-2"	34
N8	3	#6	3	9'-11"	45
N9	3	#5	3	8'-7"	27
N10	4	#4	3	6'-10"	18
S1	9	#6	STR	6'-0"	81
T1	6	#5	STR	19'-9"	124
T2	3	#5	STR	11'-3"	35
V1	4	#4	STR	9'-4"	25
V2	6	#4	STR	8'-9"	35
V3	8	#4	STR	7'-9"	41
V4	8	#4	STR	6'-9"	36
V5	8	#4	STR	5'-9"	31
V6	8	#4	STR	4'-9"	25
V7	2	#4	STR	9'-1"	12
V8	3	#4	STR	7'-10"	16
V9	3	#4	STR	6'-6"	13
V10	4	#4	STR	4'-10"	13
Z1	4	#5	4	6'-9"	28
Z2	6	#5	4	6'-3"	39
Z3	10	#5	4	5'-3"	55
Z4	10	#5	4	4'-4"	45
Z5	10	#4	4	3'-4"	22
Z6	2	#5	4	6'-7"	14
Z7	2	#5	4	6'-0"	13
Z8	4	#5	4	4'-9"	20
Z9	4	#4	4	3'-4"	9
REINFORCING STEEL				1749 LBS	
CLASS A CONCRETE				3 WINGS	24.5 CY
				TOTAL	24.5 CY

PROJECT NO. U-5888
 HAYWOOD COUNTY
 STATION: 14+99.00 -Y4-
 SHEET 6 OF 11



STATE OF NORTH CAROLINA
 DEPARTMENT OF TRANSPORTATION
 RALEIGH

WINGS FOR CONCRETE BOX CULVERT
 H = 9'-0" SLOPE = 2:1
 120° SKEW

REVISIONS					
NO.	BY:	DATE:	NO.	BY:	DATE:
1			3		
2			4		

SHEET NO. C6
 TOTAL SHEETS 11

DRAWN BY: A.J. KLINK DATE: 1-19
 CHECKED BY: J.A. DILWORTH DATE: 1-19

DOCUMENT NOT CONSIDERED FINAL
 UNLESS ALL SIGNATURES COMPLETED

P:\2016\16133\01_U-5888\Structures\DWG\U-5888_SMU_CUL.dgn
 6/17/2019 10:17:23 AM