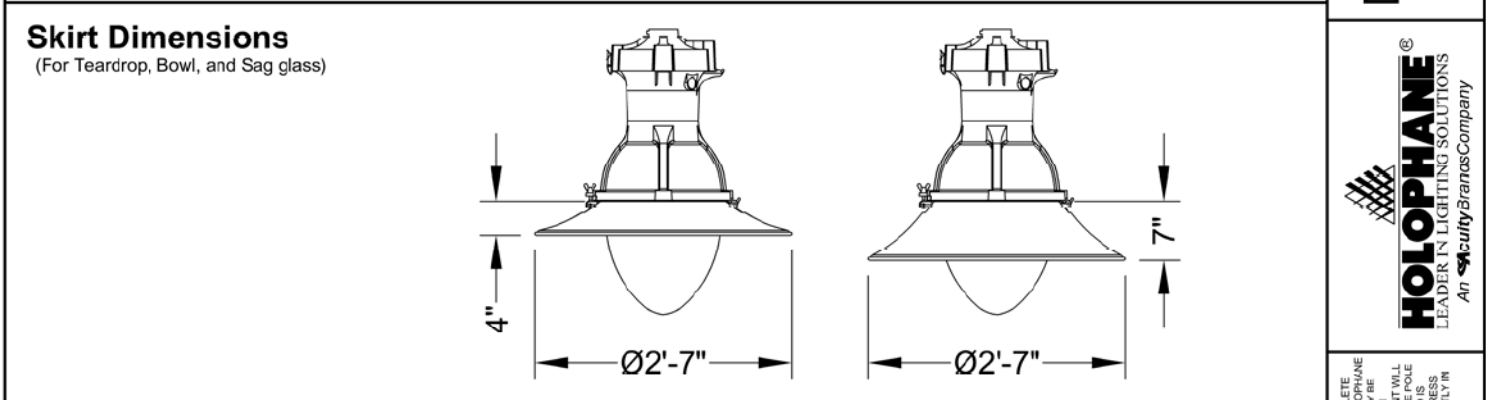
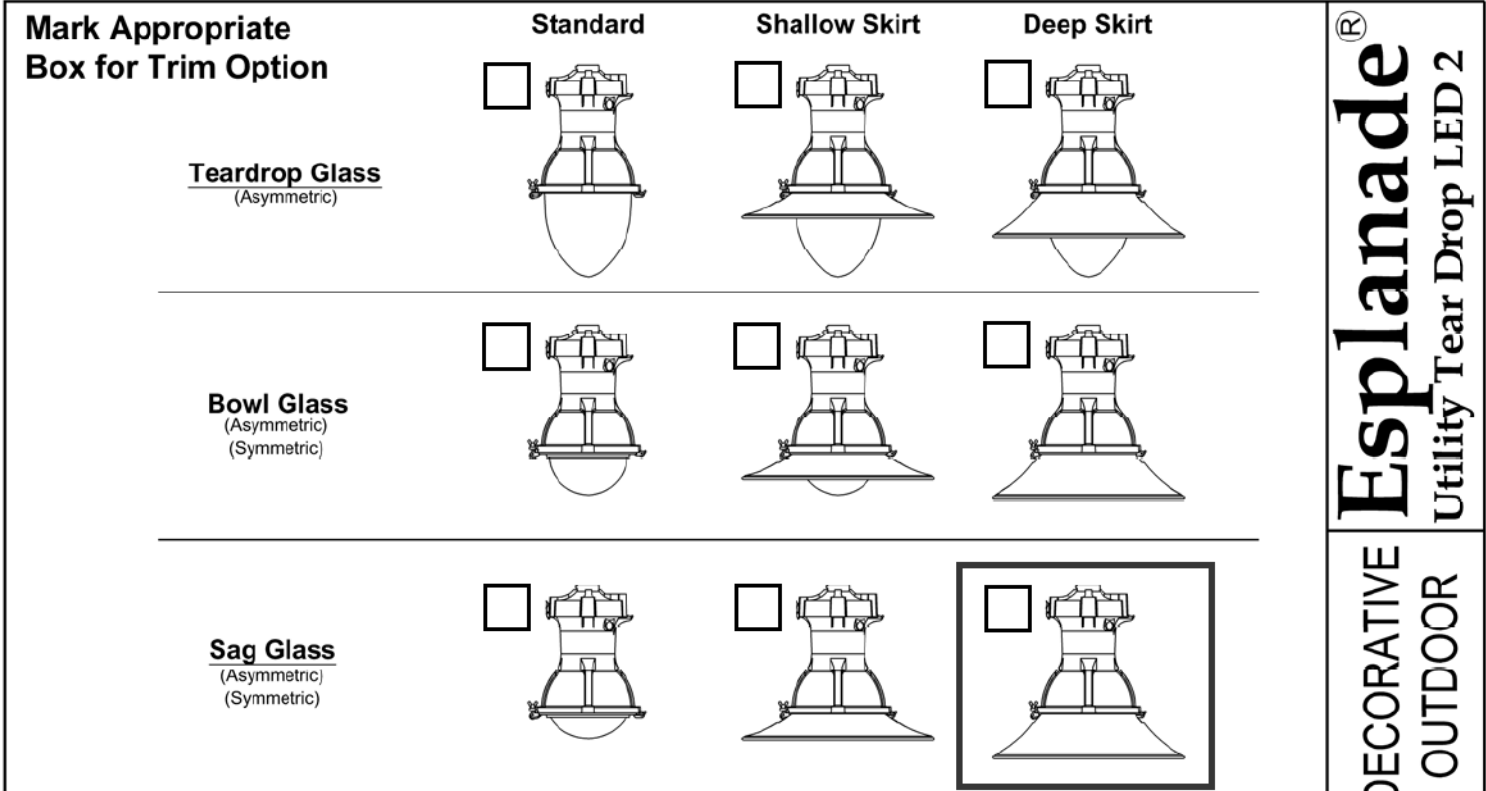


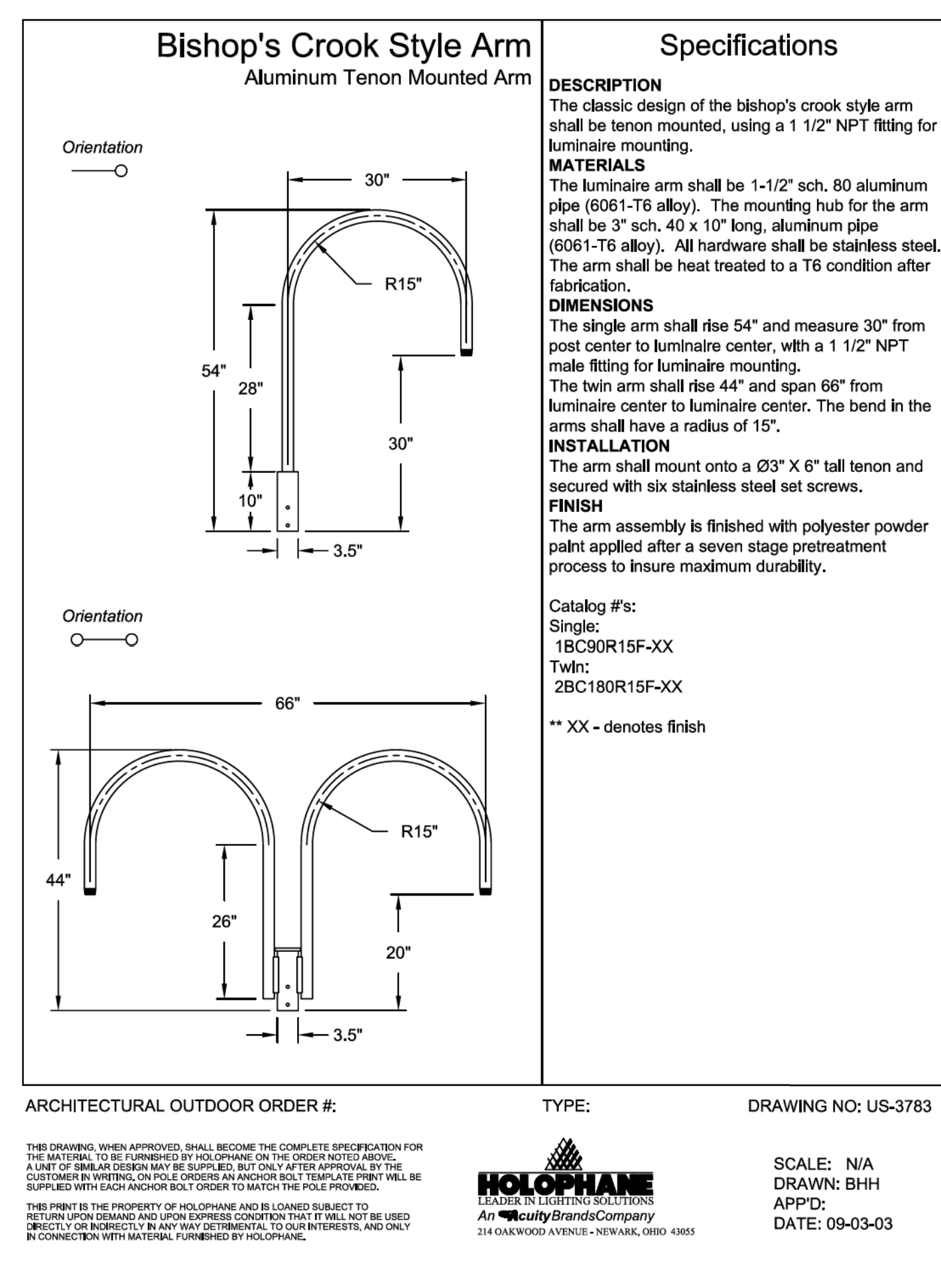
EXAMPLE: ESL2 P10S 40K AS BK TG 3 S

ORDERING INFORMATION:	VOLTAGE AS = AUTO-SENSING AH = AUTO-SENSING 347 - 480 V	COLOR BK = BLACK GR = GRAY GN = GREEN PP = PRIME PAINT WH = WHITE DZ = BRONZE TDC = TIGER DRY LAC CMC = CUSTOM MATCH COLOR XX = STD FINISH, TBD	DOOR AND GLASS TG = TEARDROP GLASS & DOOR BG = BOWL GLASS & DOOR SG = SAG GLASS & DOOR	OPTIC T = TYPE 3 ASYMMETRIC S = TYPE 3 SYMMETRIC	TOP ENTRY P = 1.5" NPT PENDANT MOUNT S = QUICK LOCK STEM MOUNT
------------------------------	---	--	---	---	---

ESL2	TEMPERATURE Z7K = 2700 CCT SAC = 3000 CCT SUK = 5000 CCT	ACCESSORIES LT3HSS90 = HOUSE SIDE SHELD, 90 DEGREE (AVAILABLE ON P10S, P10J, P20S, P20J, P30S, AND P30J) LT3HSS120 = HOUSE SIDE SHELD, 120 DEGREE (AVAILABLE ON P10S, P10J, P20S, P20J, P30S, AND P30J) LT3HSS180 = HOUSE SIDE SHELD, 180 DEGREE (AVAILABLE ON P10S, P10J, P20S, P20J, P30S, AND P30J) LT5HSS90 = HOUSE SIDE SHELD, 90 DEGREE (AVAILABLE ON P40S, P50S, AND P60S) LT5HSS120 = HOUSE SIDE SHELD, 120 DEGREE (AVAILABLE ON P40S, P50S, AND P60S) LT5HSS180 = HOUSE SIDE SHELD, 180 DEGREE (AVAILABLE ON P40S, P50S, AND P60S)	NOTES: 1. ONLY AVAILABLE WITH "AS" VOLTAGE 2. ONLY AVAILABLE IN THE US 3. FOR ADD DATA, REFER TO PAGE 7 OF INSTRUCTION SHEET ON WEBSITE (M 206)
-------------	--	--	---



Specifications
DESCRIPTION
The Esplanade luminaire is styled to replicate the "teardrop" luminaires that lighted boulevards in the first half of the 1900s. Designed for light control and ease of installation and maintenance, the Esplanade has a precision optical system for true street lighting performance.
WIRING CHAMBER
The wiring chamber has either a 1.50 inch NPT with a stainless steel set screw or a welded stem. The stem (Quick Lock Stem Mounting option) aids installation speed. A (3) station terminal block that accepts #14 through #2 wires and has a quick disconnect harness with removable electrical module is provided.
ELECTRICAL / REFLECTOR ASSEMBLY
The electrical / reflector assembly hinges down from the wiring chamber for ease in wiring and to facilitate the removal of the electrical module. The assembly is secured in place by a stainless steel latch. The unitized electrical module consists of the electronic driver and components mounted to an aluminum plate that is easily removed by loosening two screws in the base of the housing. The disconnect plug connects the ballast to the terminal block in the wiring chamber.
REFRACTOR / DOOR ASSEMBLY
The cast aluminum door supports a teardrop, bowl or sag shaped, thermal resistant borosilicate glass refractor that controls the light to provide an I.E.S. asymmetric (teardrop, bowl and sag glass) and symmetric (bowl and sag glass) distribution. I.E.S. asymmetric cut off distribution is available on the bowl glass with the decorative deep skirt option and the sag glass with either the decorative shallow or deep skirt option. The refractor assembly and decorative skirt (when applicable) assembly hinges from the electrical / reflector assembly and is latched by a tamper-resistant, color matched bracket and with nut assembly.
DRIVER
LED programmable dimmable driver located in the upper electrical housing.
FINISH / MATERIAL
The luminaire is finished with polyester powder paint to insure maximum durability. All castings utilize low copper aluminum for maximum corrosion resistance and all exposed hardware is stainless steel.
CERTIFICATION
CSA listing suitable for wet location up to 40°C. Consult factory for details.



Specifications
DESCRIPTION
The classic design of the bishop's crook style arm shall be tenon mounted, using a 1 1/2" NPT fitting for luminaire mounting.
MATERIALS
The luminaire arm shall be 1-1/2" sch. 80 aluminum pipe (6061-T6 alloy). The mounting hub for the arm shall be 3" sch. 40 x 10" long, aluminum pipe (6061-T6 alloy). All hardware shall be stainless steel. The arm shall be heat treated to a T6 condition after fabrication.
DIMENSIONS
The single arm shall rise 54" and measure 30" from post center to luminaire center, with a 1 1/2" NPT male fitting for luminaire mounting. The twin arm shall rise 44" and span 66" from luminaire center to luminaire center. The bend in the arms shall have a radius of 15".
INSTALLATION
The arm shall mount onto a Ø3" X 6" tall tenon and secured with six stainless steel set screws.
FINISH
The arm assembly is finished with polyester powder paint applied after a seven stage pretreatment process to insure maximum durability.
Catalog #s:
Single:
1BC90R15F-XX
Twin:
2BC180R15F-XX
** XX - denotes finish

ARCHITECTURAL OUTDOOR ORDER #: TYPE: DRAWING NO: US-3783
SCALE: N/A
DRAWN: BHH
APPD:
DATE: 09-03-08

REVISIONS

