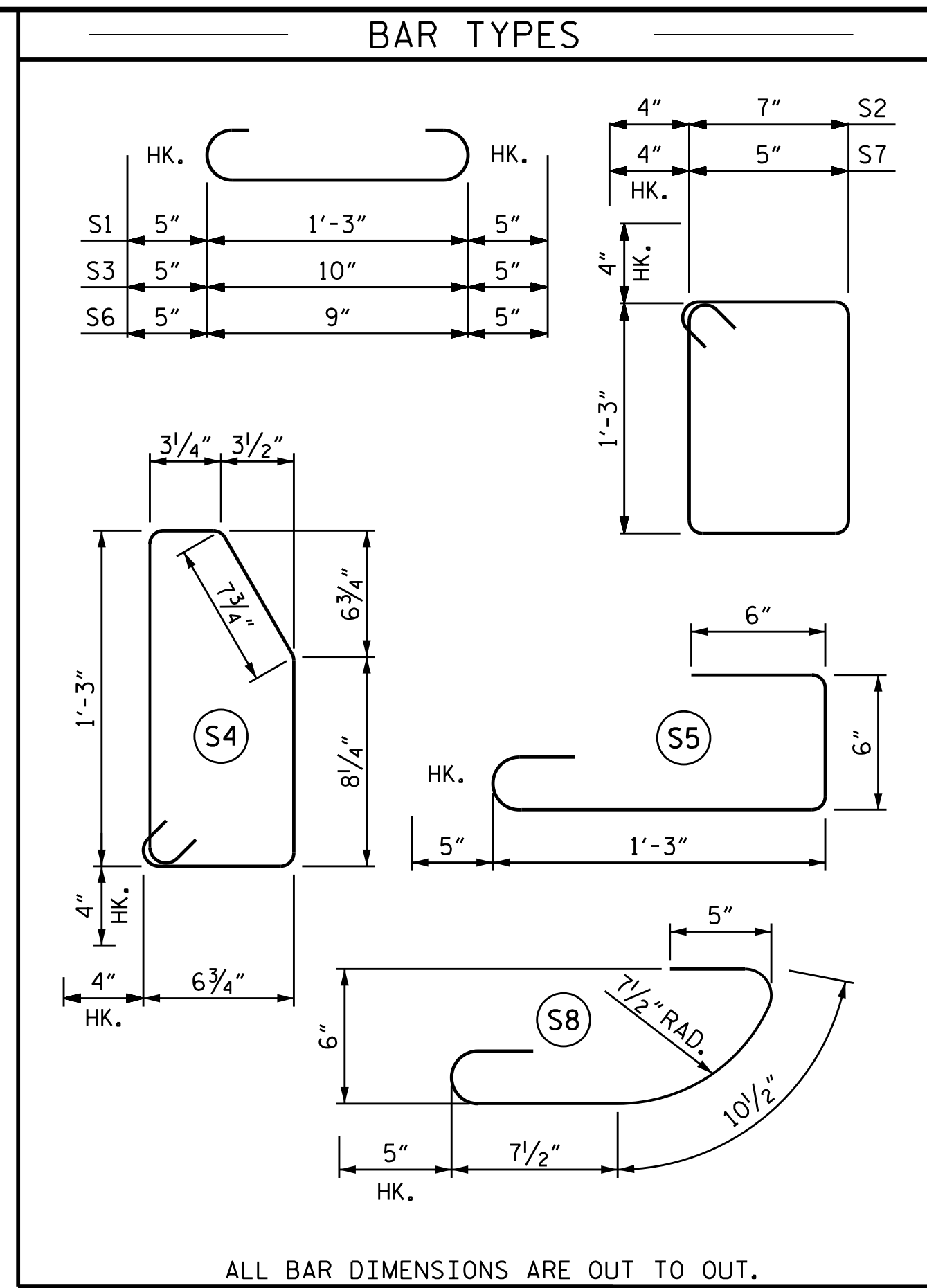


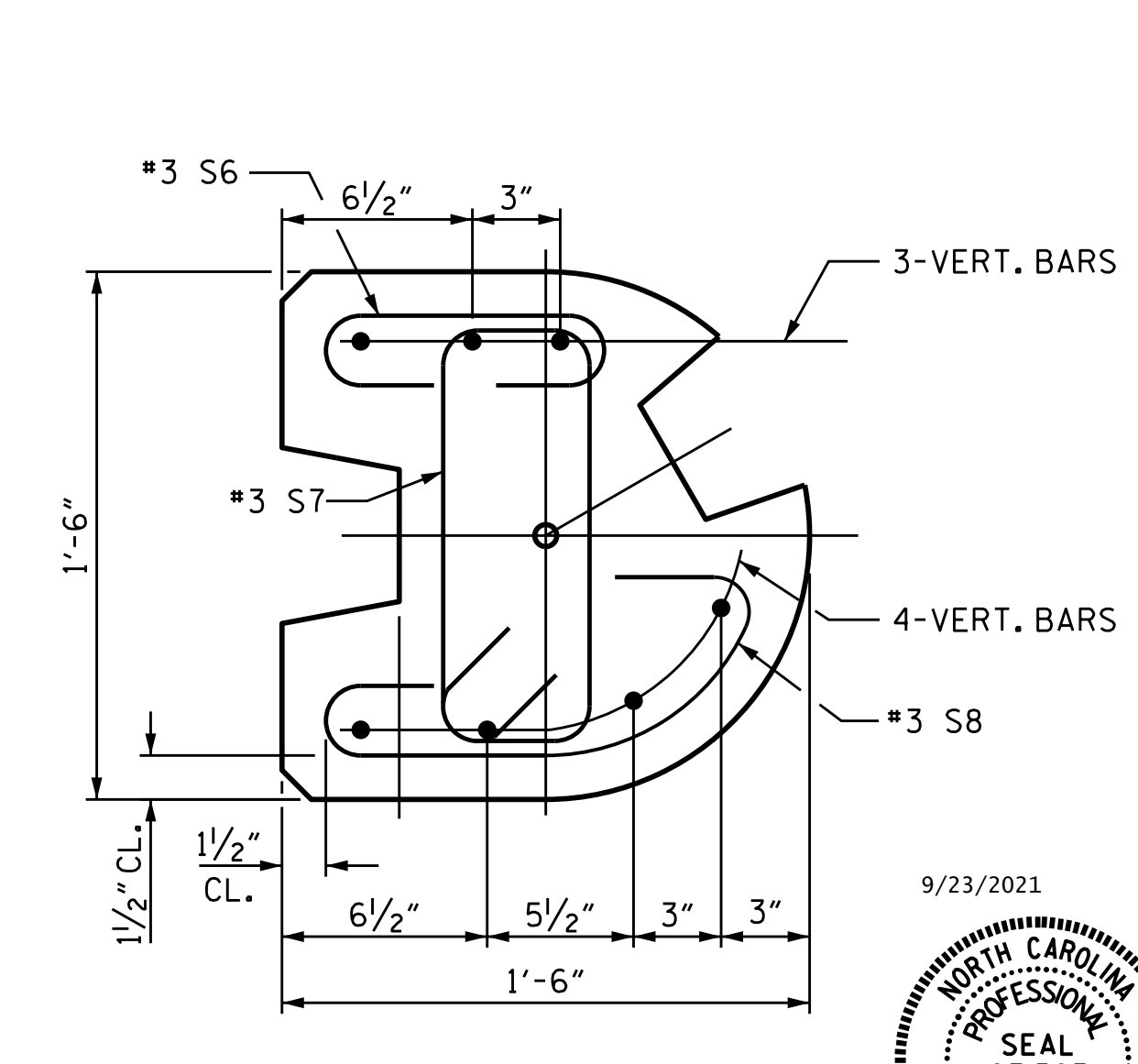
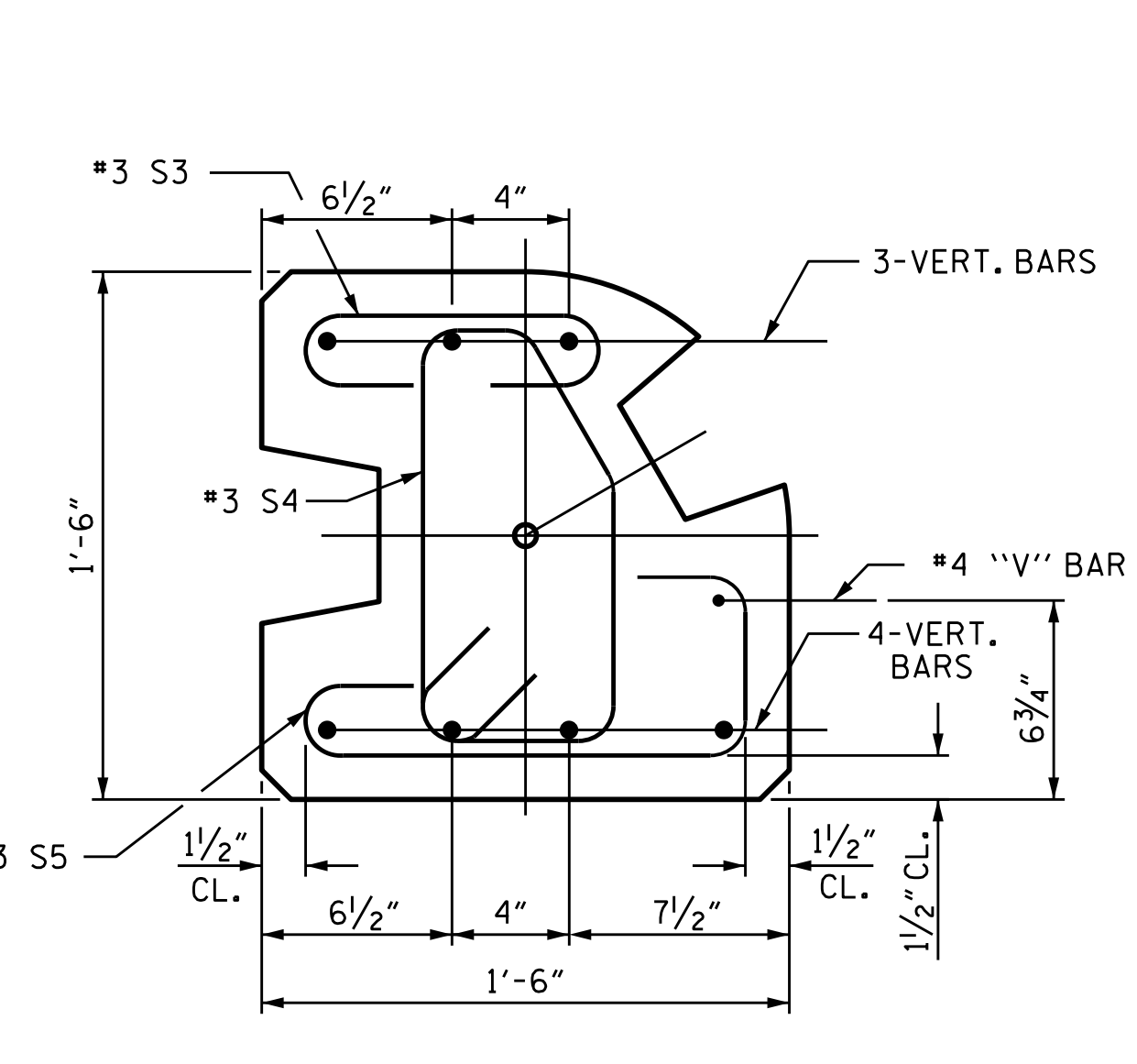
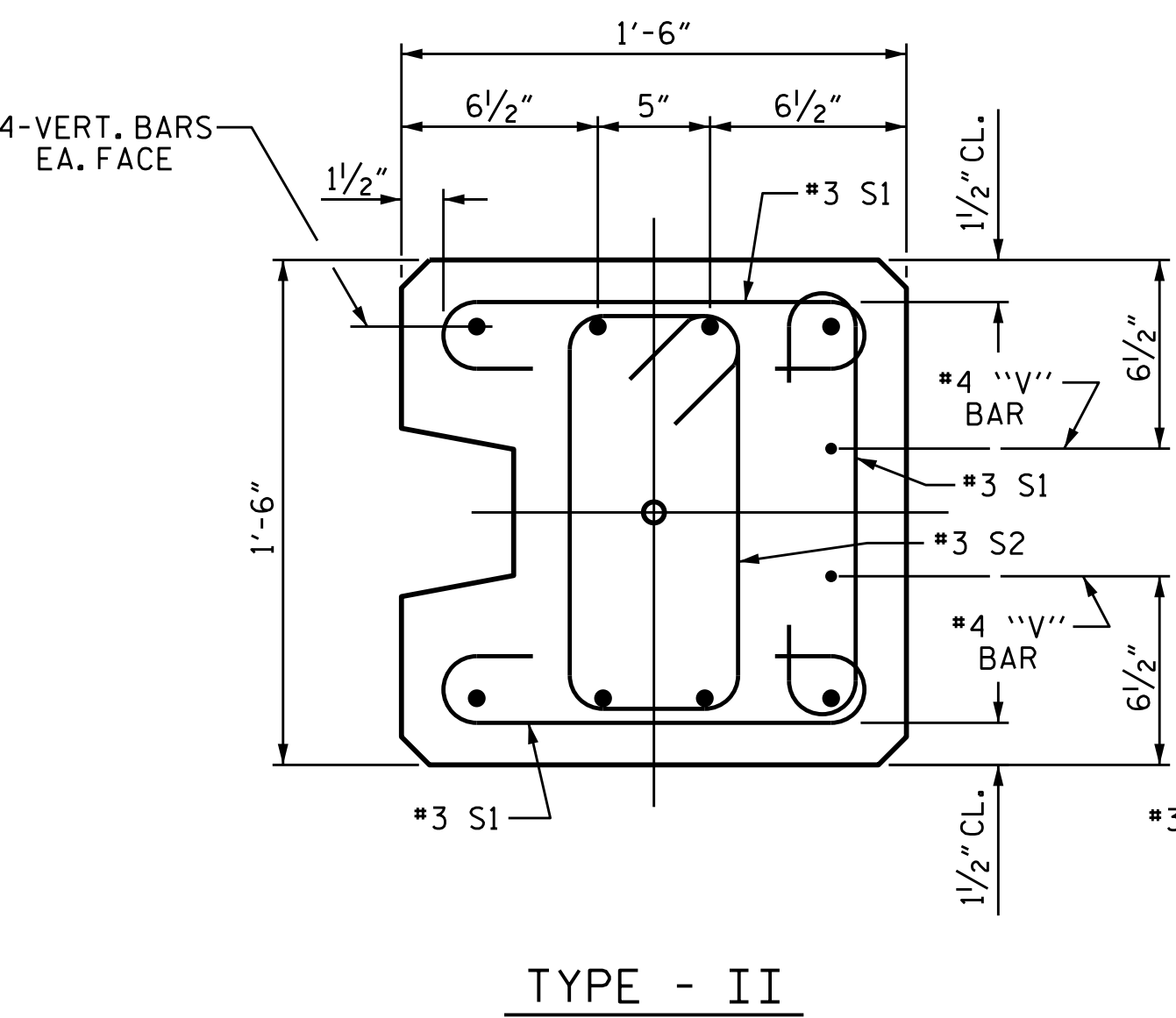
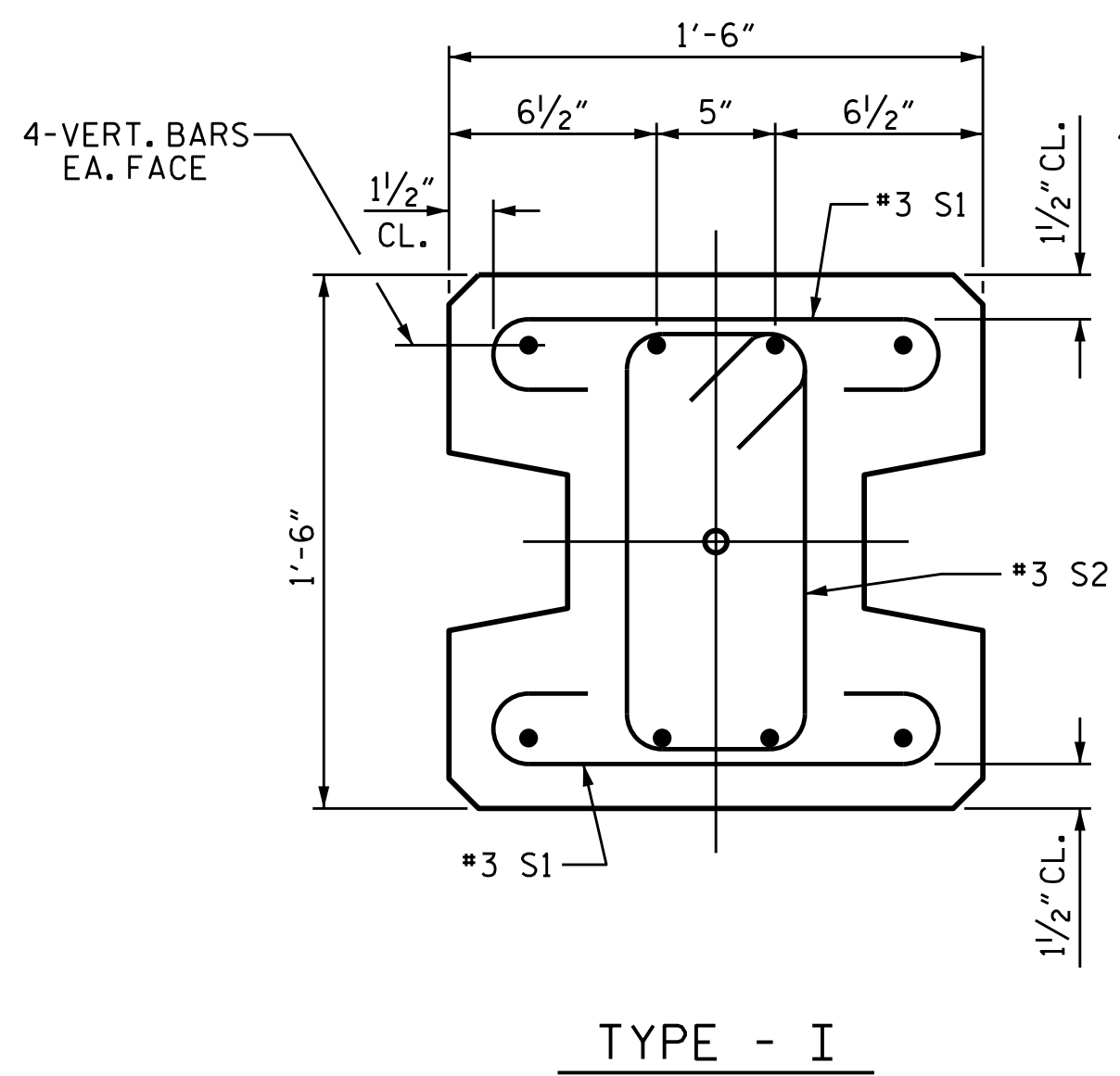
NOTES

CONCRETE DESIGN DATA : $f'_c = 5,000$ PSI
 PROPOSED DEVICES FOR LIFTING PILES, RECESS DETAILS, AND PATCHING MATERIAL SHALL BE DETAILED IN SHOP DRAWINGS. AFTER ATTACHMENTS HAVE BEEN REMOVED, OPENINGS SHALL BE REPAIRED SUCH THAT THE APPEARANCE OF THE PILE IS UNIFORM.
 WHERE CAST-IN-PLACE LIFTING DEVICES ARE NOT USED, PICK-UP POINTS TO BE INDICATED WITH A BLACK MARK 2" WIDE.
 THE SLIP-FORM METHOD OF CASTING PILES WILL NOT BE PERMITTED.
 ALL CORNERS TO BE CHAMFERED 1".

LENGTH	APPROX. PILE WT. TONS	ONE PICK-UP POINT		TWO PICK-UP POINT	
		0.300L	0.700L	0.207L	0.586L
10'-0"	1.56	3'-0"	7'-0"		
15'-0"	2.35	4'-6"	10'-6"		
20'-0"	3.14	6'-0"	14'-0"		
25'-0"	3.93	7'-6"	17'-6"		
30'-0"	4.70	9'-0"	21'-0"		
35'-0"	5.49	10'-6"	24'-6"		
40'-0"	6.28	12'-0"	28'-0"		
45'-0"	7.05	13'-6"	31'-6"		
50'-0"	7.84	15'-0"	35'-0"		
55'-0"	8.63			11'-4 1/2"	32'-3"
60'-0"	9.42			12'-5"	35'-2"



ALL BAR DIMENSIONS ARE OUT TO OUT.

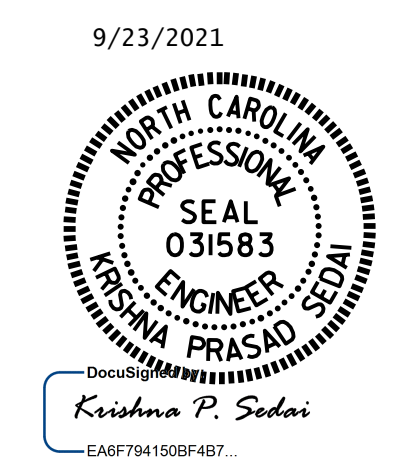


PILE DETAIL

FOR VERTICAL BAR PILE REINFORCING, SEE SHEET 1 TO 4

PROJECT NO. U-2579AB
 FORSYTH COUNTY
 STATION: SEE TABLE

SHEET 6 OF 6



STATE OF NORTH CAROLINA
 DEPARTMENT OF TRANSPORTATION
 RALEIGH
 STANDARD
 SOUND BARRIER WALL
 DETAILS
 -NW11/13-, -NW15/16-,
 -NW17/18/19-, -NW24/25-

ASSEMBLED BY : E. BAYISSA DATE : 08/2021
 CHECKED BY : A. SORSENGINH DATE : 08/2021
 DRAWN BY : MAA 6/11 REV. 1/15/14 RWW/TMG
 CHECKED BY : GM 6/11 REV. 12/17 MAA/THC

REVISIONS						SHEET NO.
NO.	BY:	DATE:	NO.	BY:	DATE:	6
1			3			TOTAL SHEETS
2			4			6

DOCUMENT NOT CONSIDERED FINAL UNLESS ALL SIGNATURES COMPLETED