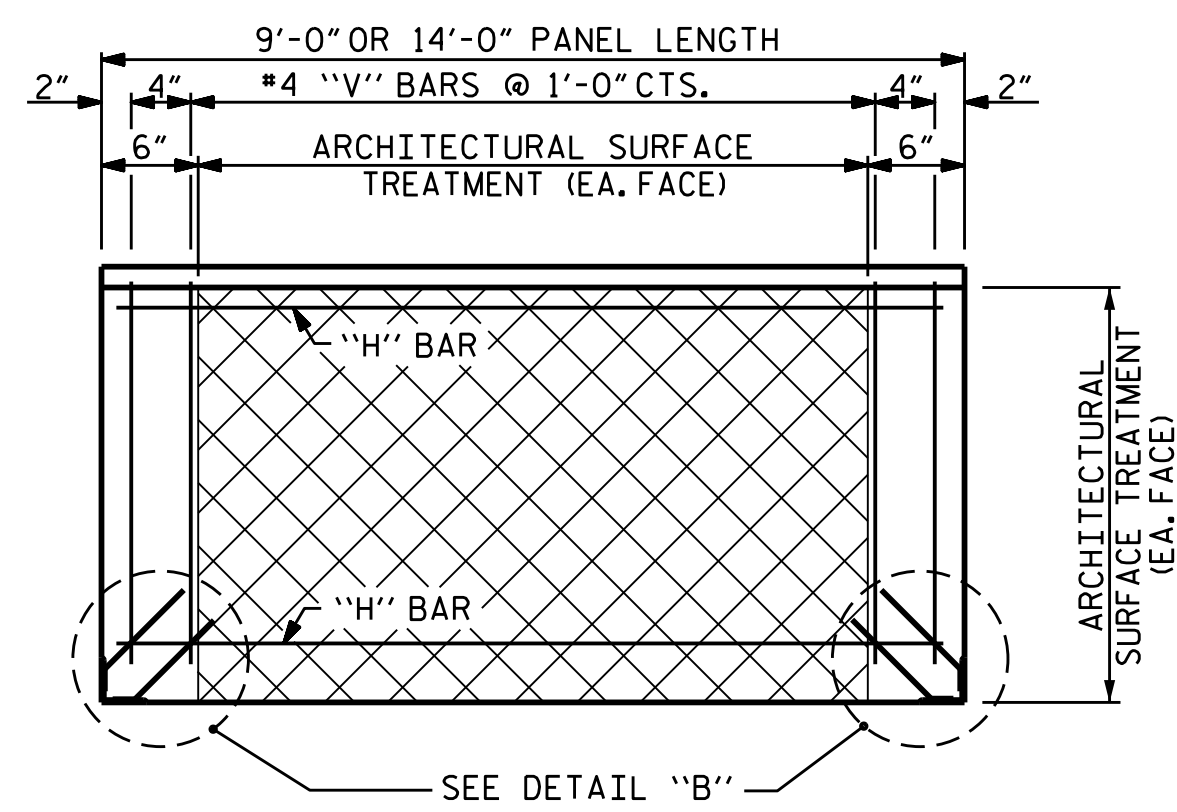
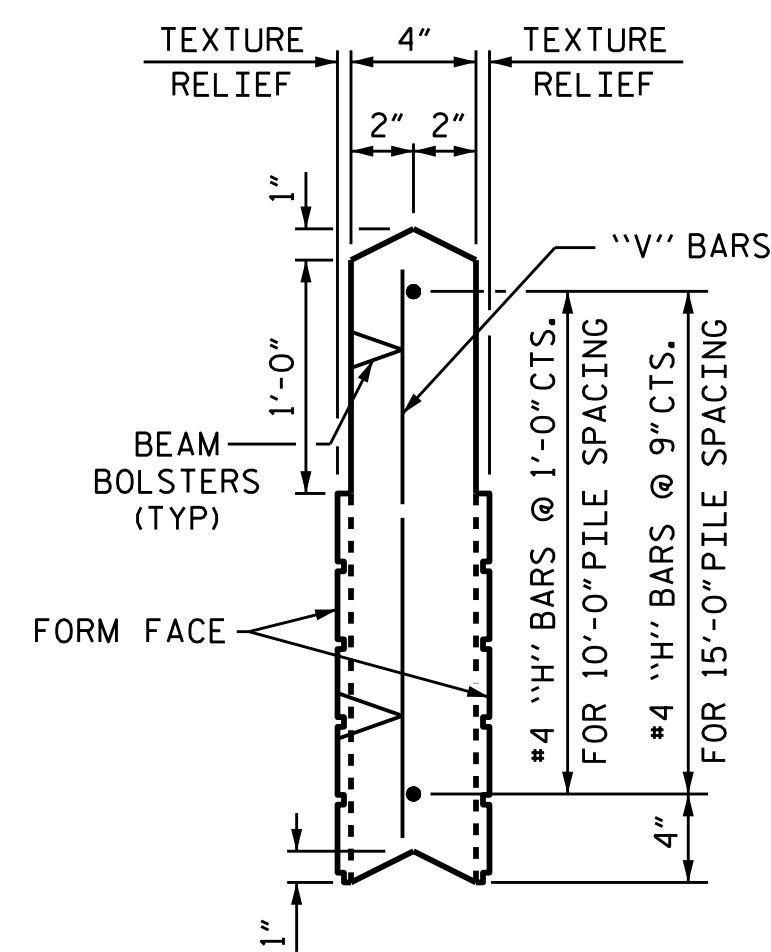


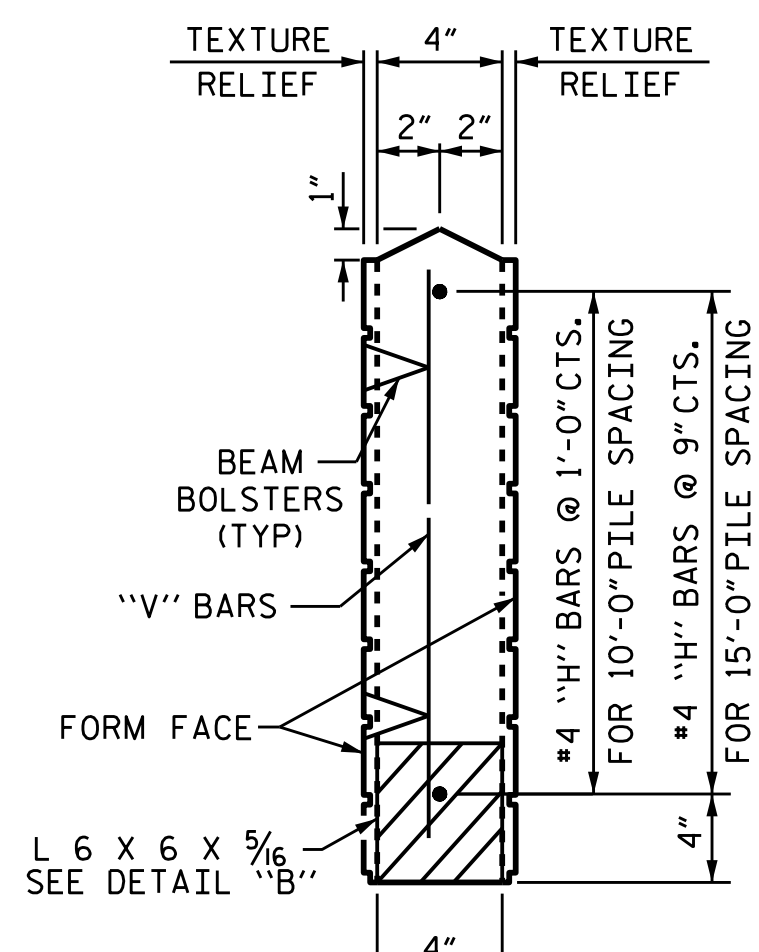
FRONT ELEVATION OF UPPER PRECAST PANEL



FRONT ELEVATION OF BOTTOM PRECAST PANEL

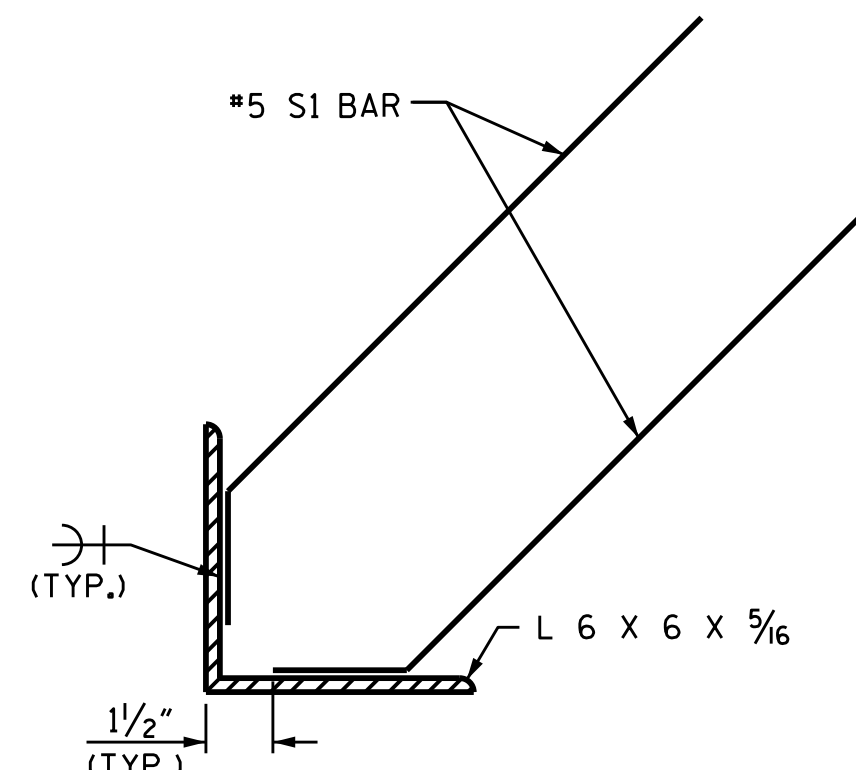


UPPER PANEL



BOTTOM PANEL

SECTION THROUGH PRECAST PANELS



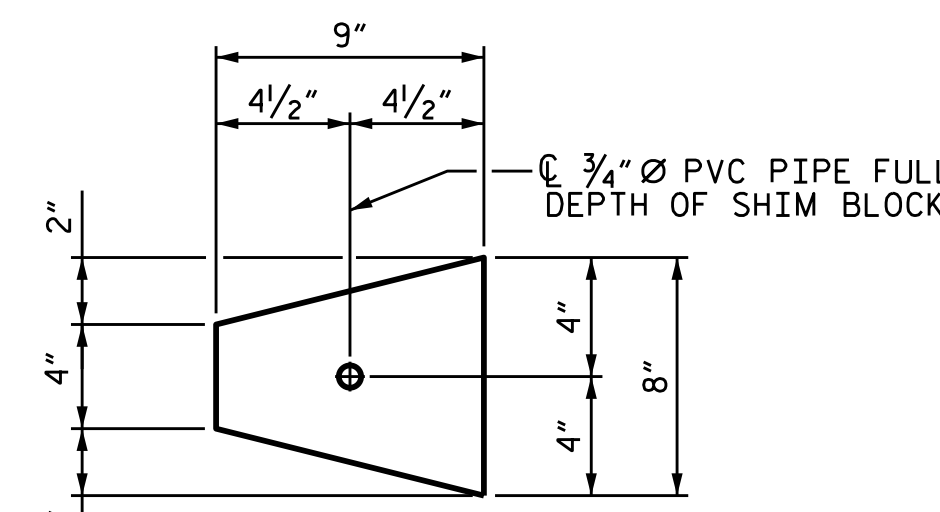
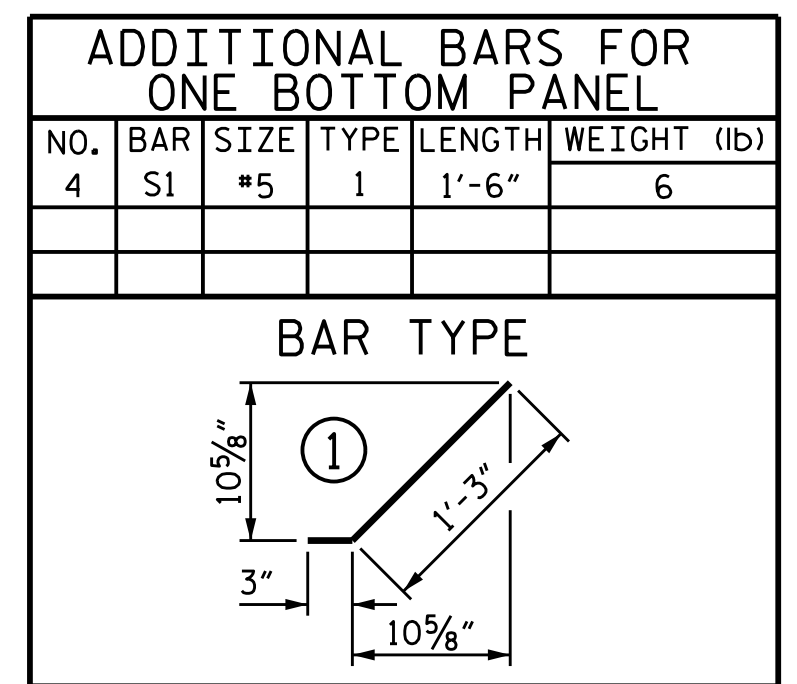
DETAIL "B"

QUANTITIES FOR ONE PRECAST PANEL (FOR 10'-0" PILE SPACING)

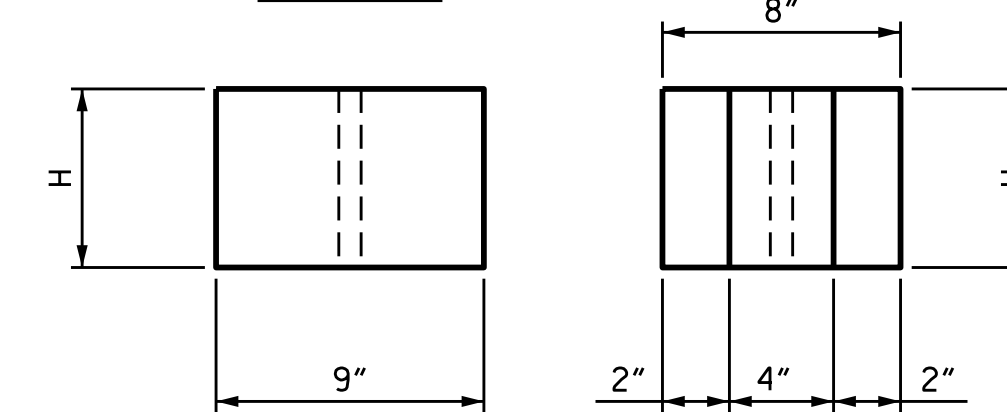
PANEL HEIGHT	CLASS AA CONCRETE C.Y.	BAR TYPES											
		HORIZONTAL						VERTICAL					
		NO.	BAR	SIZE	TYPE	LENGTH	WEIGHT (lb)	NO.	BAR	SIZE	TYPE	LENGTH	WEIGHT (lb)
2'-0"	0.22	3	H1	#4	STR	8'-8"	17	11	V1	#4	STR	1'-8"	12
3'-0"	0.33	4	H2	#4	STR	8'-8"	23	11	V2	#4	STR	2'-8"	20
4'-0"	0.44	5	H3	#4	STR	8'-8"	29	11	V3	#4	STR	3'-8"	27

QUANTITIES FOR ONE PRECAST PANEL (FOR 15'-0" PILE SPACING)

PANEL HEIGHT	CLASS AA CONCRETE C.Y.	BAR TYPES											
		HORIZONTAL						VERTICAL					
		NO.	BAR	SIZE	TYPE	LENGTH	WEIGHT (lb)	NO.	BAR	SIZE	TYPE	LENGTH	WEIGHT (lb)
3'-0"	0.52	5	H1	#4	STR	13'-8"	46	16	V1	#4	STR	2'-8"	29
4'-0"	0.69	6	H2	#4	STR	13'-8"	55	16	V2	#4	STR	3'-8"	39
5'-0"	0.86	7	H3	#4	STR	13'-8"	64	16	V3	#4	STR	4'-8"	50
6'-0"	1.04	8	H4	#4	STR	13'-8"	73	16	V4	#4	STR	5'-8"	61



PLAN

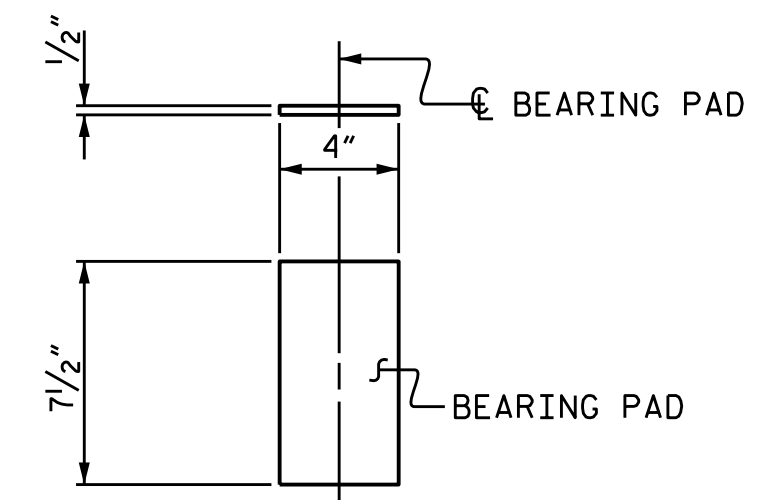


ELEVATION

END

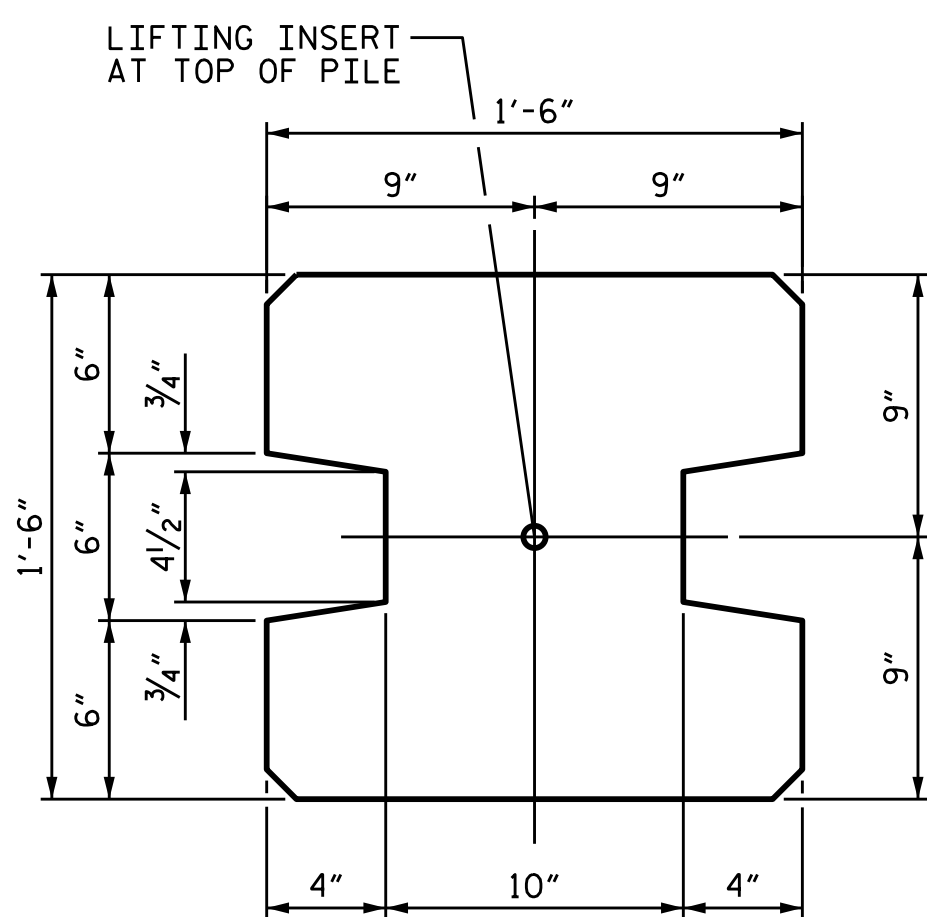
CONCRETE SHIM BLOCK

H = 3', 6" or 1'-0"

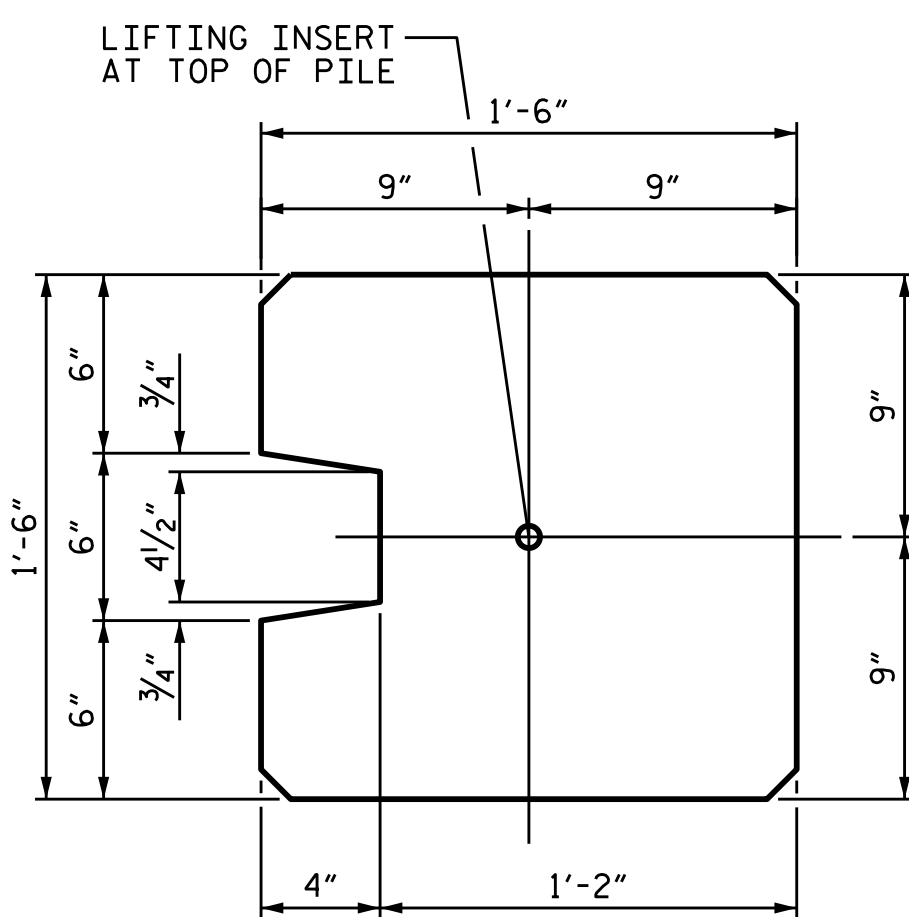


ELASTOMERIC BEARING DETAILS

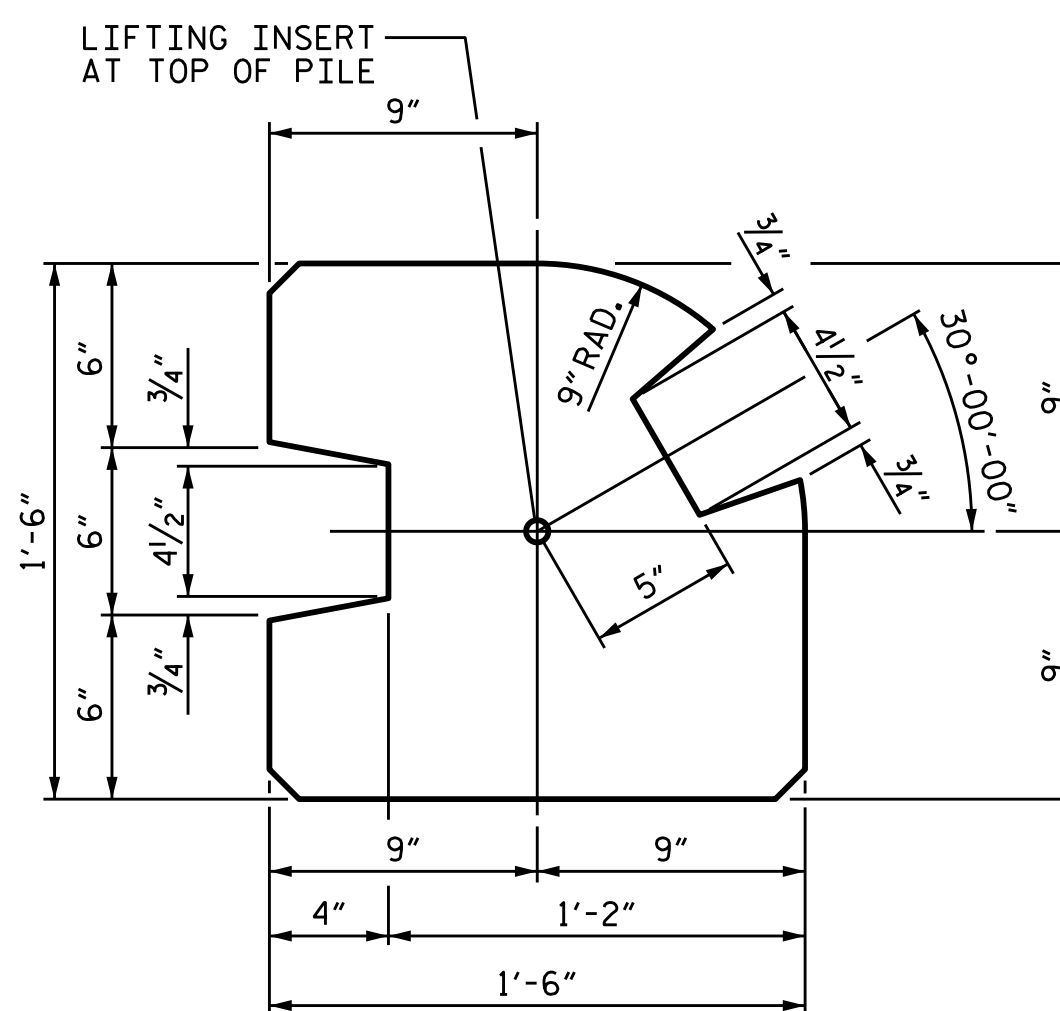
ELASTOMER IN BEARINGS SHALL BE 50 DUROMETER HARDNESS.



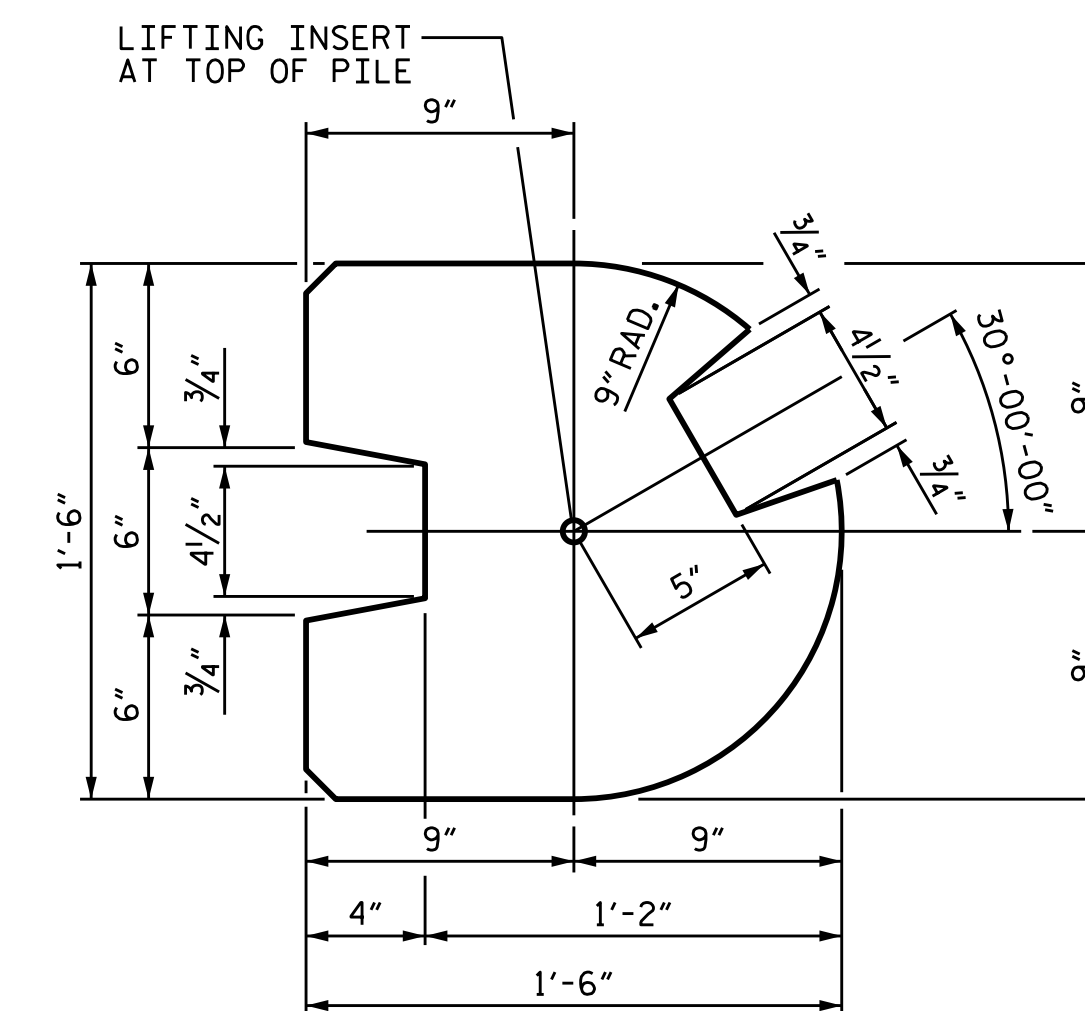
TYPE - I
(AREA = 1.9444 SQ. FT.)



TYPE - II
(AREA = 2.0903 SQ. FT.)



TYPE - III
(AREA = 1.8336 SQ. FT.)



TYPE - III (ALT.)
(AREA = 1.7163 SQ. FT.)

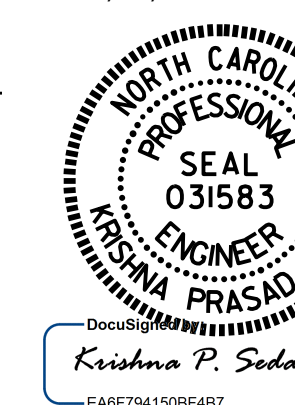
PILE DETAIL

(ALL CORNERS TO BE CHAMFERED 1")

PROJECT NO. U-2579AB
FORSYTH COUNTY
STATION: SEE TABLE

SHEET 5 OF 6

9/23/2021



STATE OF NORTH CAROLINA
DEPARTMENT OF TRANSPORTATION
RALEIGH

STANDARD

SOUND BARRIER WALL
DETAILS

-NW11/13-, -NW15/16-,
-NW17/18/19-, -NW24/25-

REVISIONS						SHEET NO.
NO.	BY:	DATE:	NO.	BY:	DATE:	5
1			3			TOTAL SHEETS
2			4			6

DOCUMENT NOT CONSIDERED
FINAL UNLESS ALL
SIGNATURES COMPLETED

STD. NO. SBW2

ASSEMBLED BY : E. BAYISSA DATE : 08/2021
CHECKED BY : A. SORSENGIN DATE : 08/2021
DRAWN BY : MAA 6/11 REV. 1/15/14 RWW/TMG
CHECKED BY : GM 6/11 REV. 10/17 MAA/THC
REV. 5/18 MAA/THC