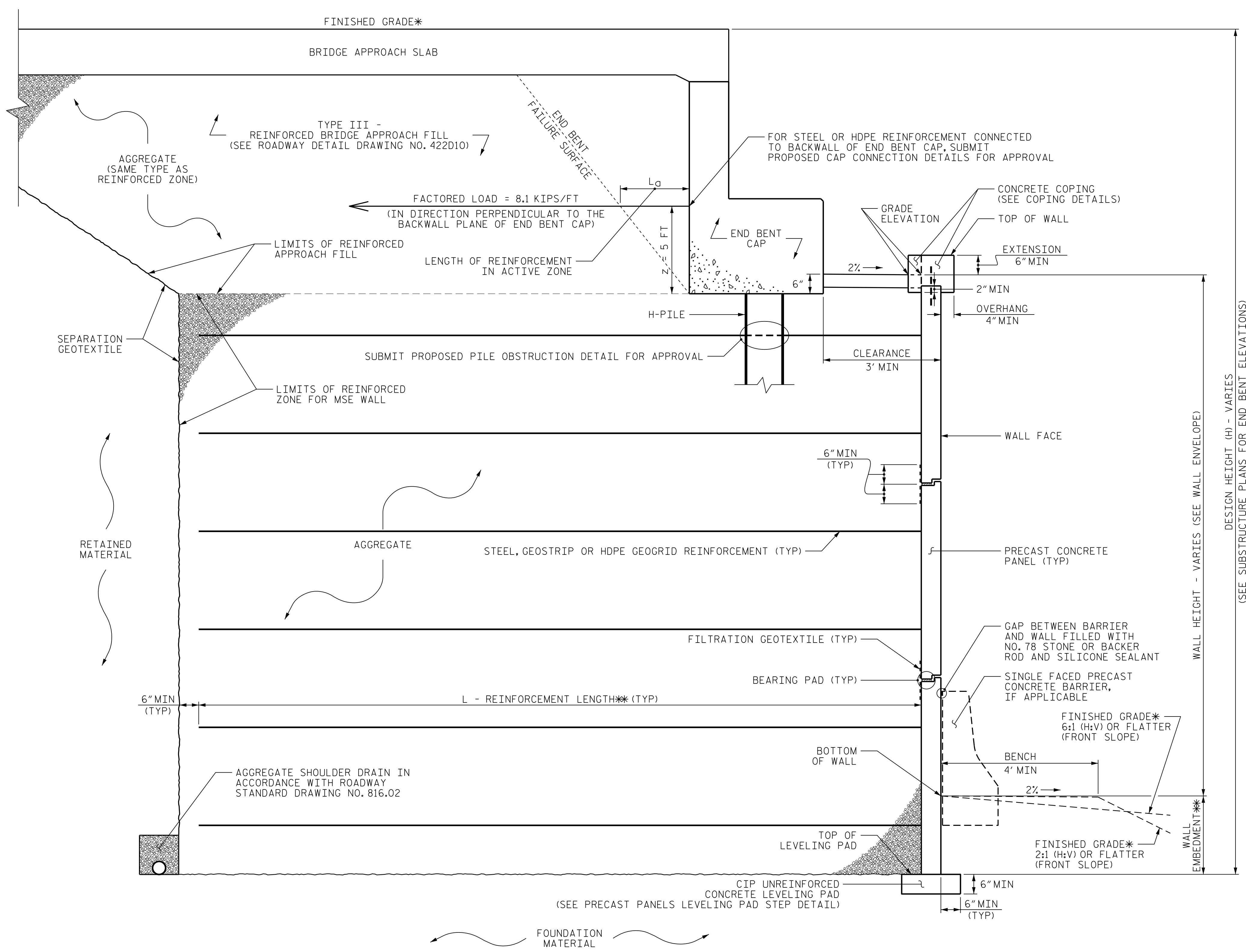
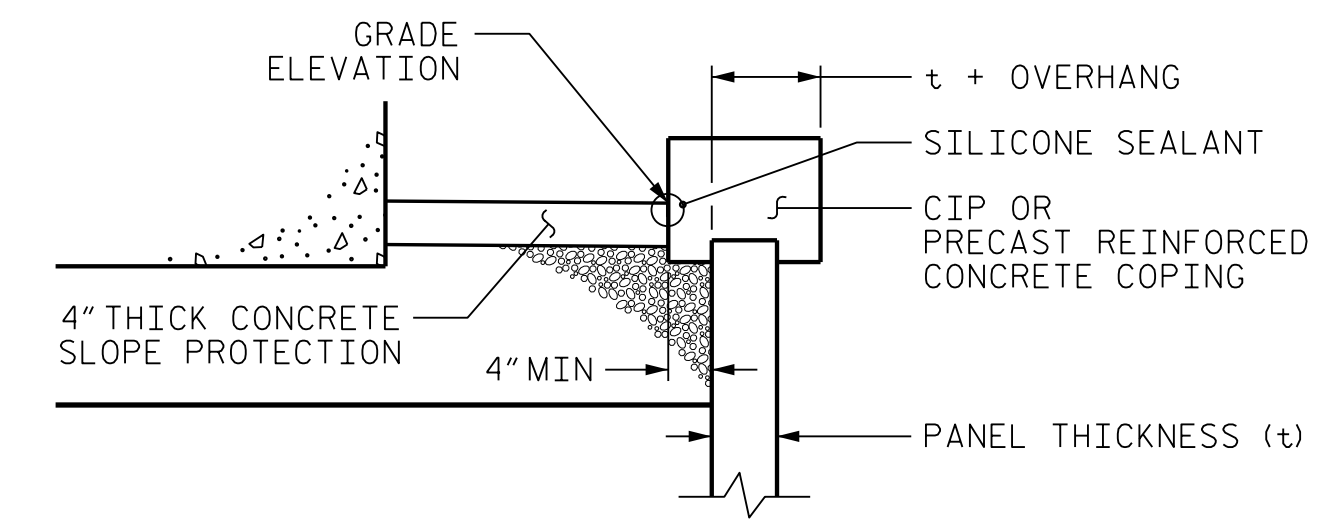
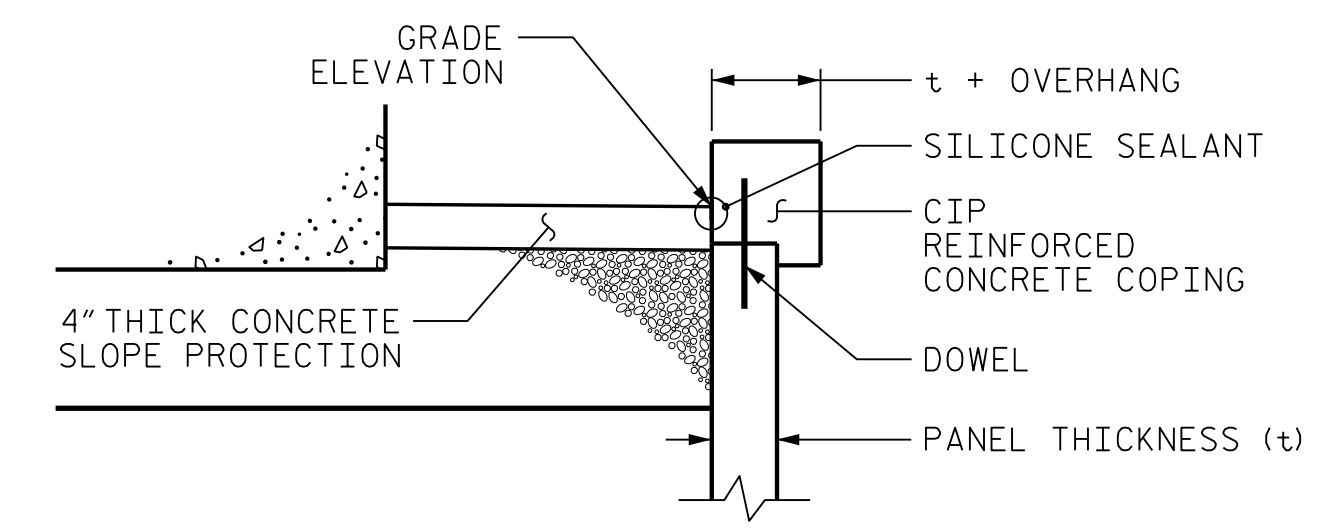


GEOTECHNICAL ENGINEER
 ENGINEER
 NORTH CAROLINA PROFESSIONAL SEAL 028893
 MICHAEL H. STEPHENS
 DocuSigned by: *M. H. Stephens* 6/1/2021
 SIGNATURE DATE SIGNATURE DATE
DOCUMENT NOT CONSIDERED FINAL UNLESS ALL SIGNATURES COMPLETED



DESIGN HEIGHT (H) - VARIES
 WALL HEIGHT - VARIES (SEE WALL ENVELOPE)
 (SEE SUBSTRUCTURE PLANS FOR END BENT ELEVATIONS)



COPING DETAILS

AT THE CONTRACTOR'S OPTION, CONNECT COPING TO PANELS WITH DOWELS OR EXTEND COPING DOWN BACK OF PANELS.

MSE ABUTMENT WALL WITH PRECAST PANELS - TYPICAL SECTION

*SEE ROADWAY PLANS FOR FINISHED GRADE DETAILS.
 **SEE MSE RETAINING WALLS PROVISION AND IF APPLICABLE,
 MSE WALL NOTES FOR WALL EMBEDMENT AND REINFORCEMENT LENGTH REQUIREMENTS.

PROJECT NO.: 34839.1.1 (U-2579AB)
 FORSYTH COUNTY
 STATION: 29+93.81 -Y4- AND 31+41.50 -Y4-
 SHEET 3 OF 5 WALL ID RW - BRIDGE NO. 723

NORTH CAROLINA
 DEPARTMENT OF TRANSPORTATION
 DIVISION OF HIGHWAYS
**GEOTECHNICAL
 ENGINEERING UNIT**

REVISIONS						SHEET NO. W-3
NO.	BY	DATE	NO.	BY	DATE	
1			3			
2			4			

PREPARED BY: MHS	DATE: 6/1/21
REVIEWED BY: SCC	DATE: 6/1/21