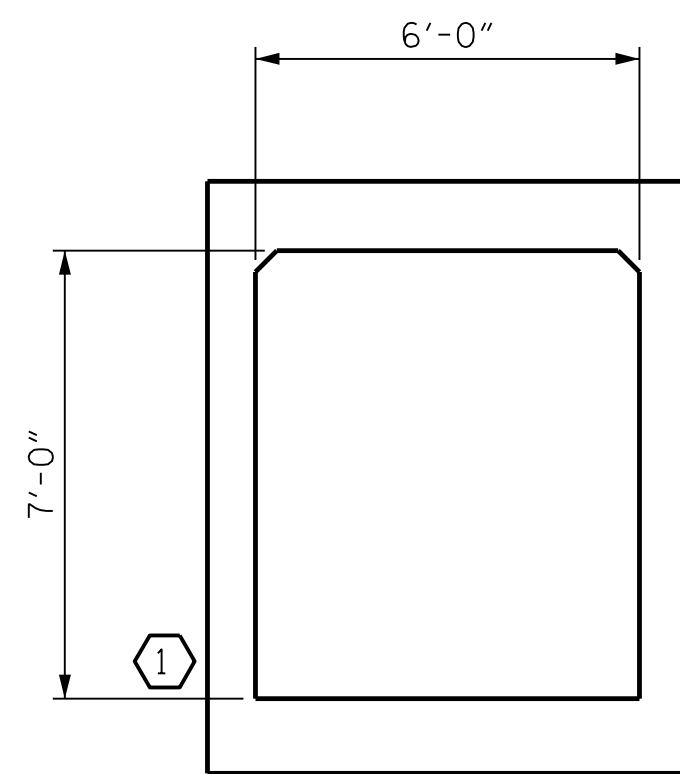


PLOT DRIVER: NCDOT_STRUCTURES_DEFAULT_PLOTTER.plt PENTABLE: NCDOT_STRUCTURES_DEFAULT_PEN.tbl
 USER: PETERSO DATE: 5/20/2021 TIME: 10:37:28 AM
 FILE: ...RATING_SUMMARY

LOAD AND RESISTANCE FACTOR RATING (LRFR) SUMMARY FOR REINFORCED CONCRETE BOX CULVERTS

	CONTROLLING LOAD RATING	MINIMUM RATING FACTOR (RF)	STRENGTH I LIMIT STATE							
			MOMENT				SHEAR			
			RATING FACTOR	BOX NO.	ELEMENT TYPE	DISTANCE FROM LEFT END OF ELEMENT (ft)	RATING FACTOR	BOX NO.	ELEMENT TYPE	DISTANCE FROM LEFT END OF ELEMENT (ft)
PERMANENT LOAD RATING	1	1.11	1.11	1	EXTERIOR WALL	1.00	1.17	1	BOTTOM SLAB	1.55



LRFR SUMMARY
(LOOKING DOWN STREAM)

LOAD FACTORS:

DESIGN LOAD RATING FACTORS

LOAD TYPE	MAX FACTOR	MIN FACTOR
DC	1.25	0.90
DW	1.50	0.65
EV	1.30	0.90
EH	1.35	0.90
ES	1.35	0.90
WA	1.00	--

NOTES:

RATING FACTORS ARE BASED ON THE STRENGTH I LIMIT STATE.

THE EFFECTS OF LIVE LOAD ON DESIGN AND LOAD RATING MAY BE NEGLECTED FOR CULVERTS WITH CERTAIN FILL DEPTHS DESCRIBED IN THE AASHTO LRFD BRIDGE DESIGN SPECIFICATIONS.

CULVERTS WITH NEGLIGIBLE LIVE LOAD SHOULD BE LOAD RATED FOR PERMANENT LOADS ONLY IN ACCORDANCE WITH THE AASHTO MANUAL FOR BRIDGE EVALUATION.

PROJECT NO. U-2579AB

FORSYTH COUNTY

STATION: 35+53.70 -Y15RPDREV-

SHEET 6 OF 6

STATE OF NORTH CAROLINA
DEPARTMENT OF TRANSPORTATION
RALEIGH

**LRFR SUMMARY FOR
REINFORCED CONCRETE
BOX CULVERTS**
(DEEP FILLS)



Dominic A. Coletti 10/11/2021

REVISIONS

NO.	BY:	DATE:	NO.	BY:	DATE:
1			3		
2			4		

SHEET NO.
C7-6
TOTAL SHEETS
6

DES BY: <u>T. MCALEENAN</u>	DATE : <u>11/19</u>	DWG BY: <u>T. MCALEENAN</u>	DATE : <u>11/19</u>
DES CHK: <u>R. TURNAGE</u>	DATE : <u>11/19</u>	CHK BY: <u>R. TURNAGE</u>	DATE : <u>11/19</u>



**DOCUMENT NOT CONSIDERED FINAL
UNLESS ALL SIGNATURES COMPLETED**