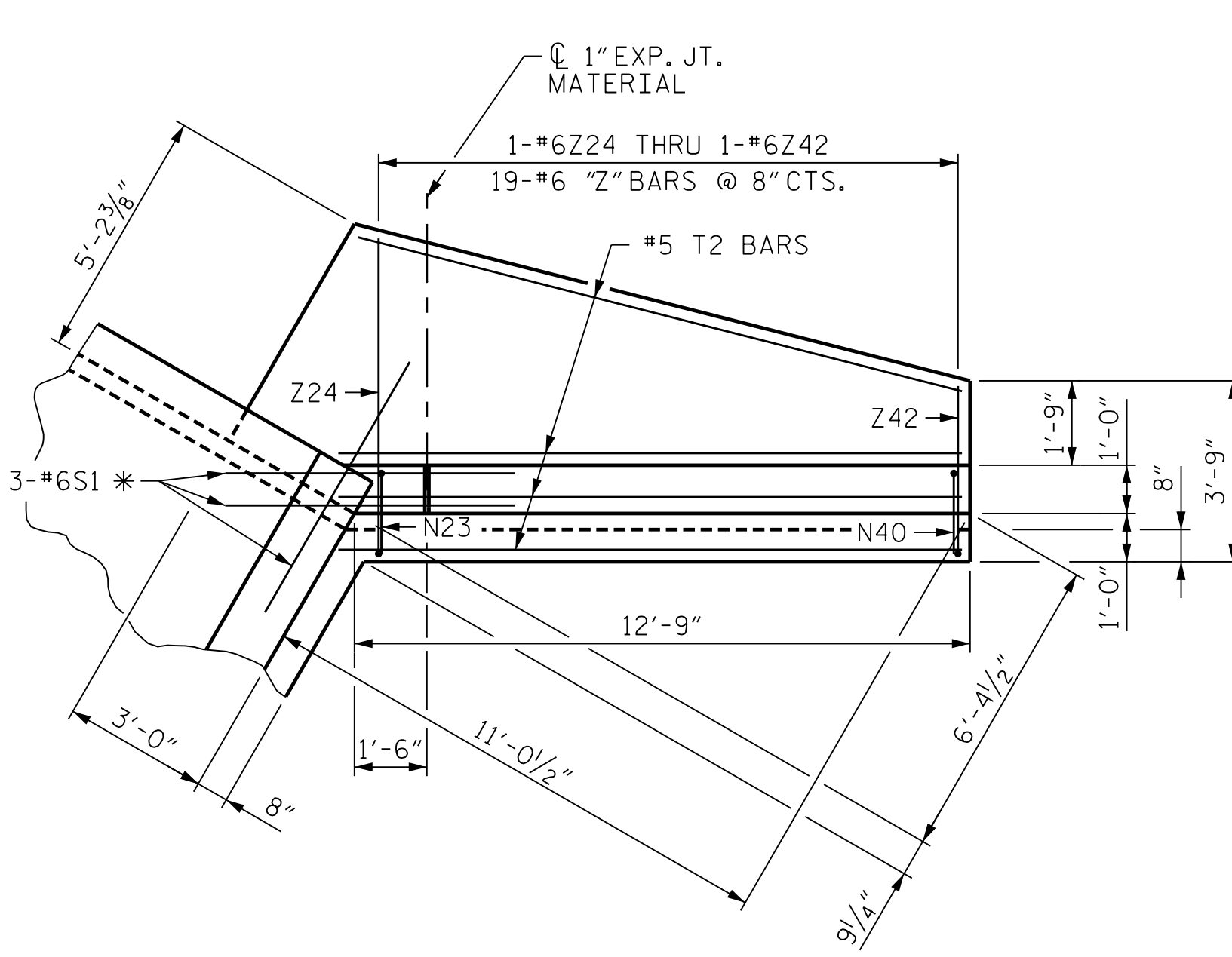


ELEVATION-W2



PLAN-W2

* BOTTOM OF FLOOR SLAB AND FOOTING

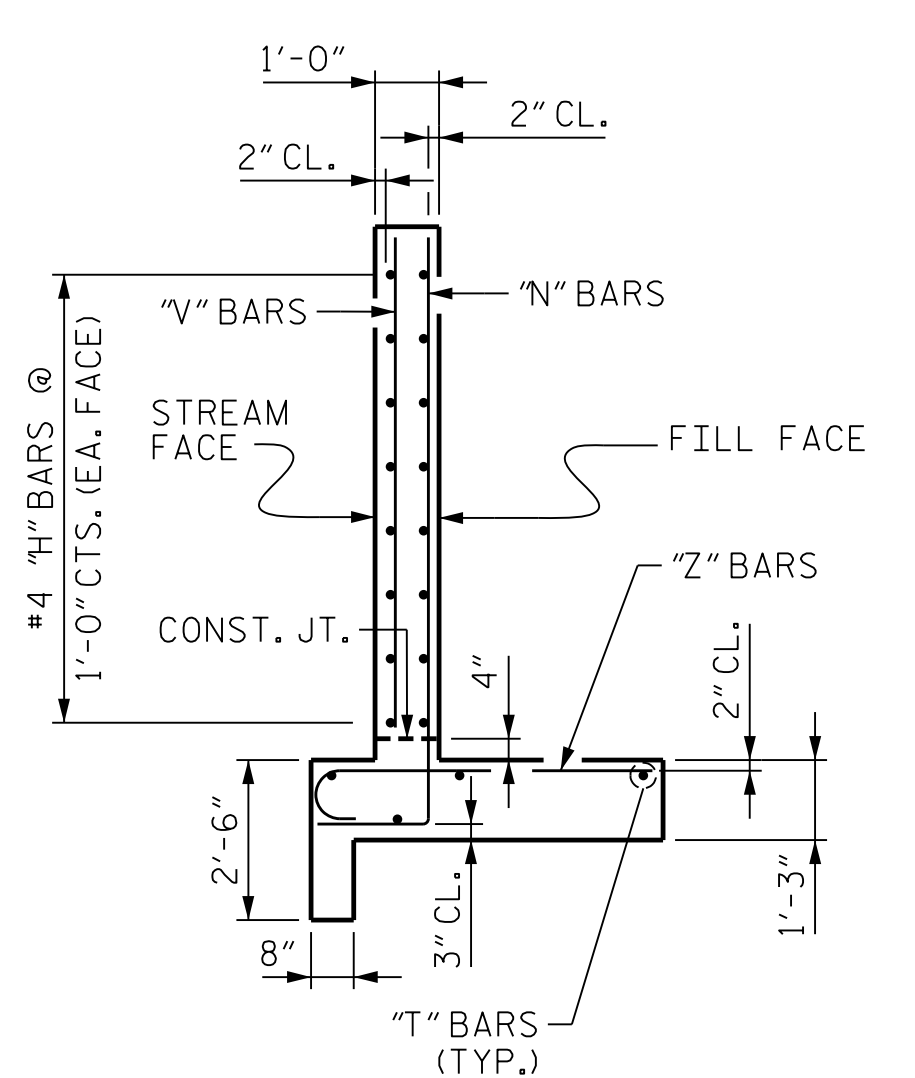
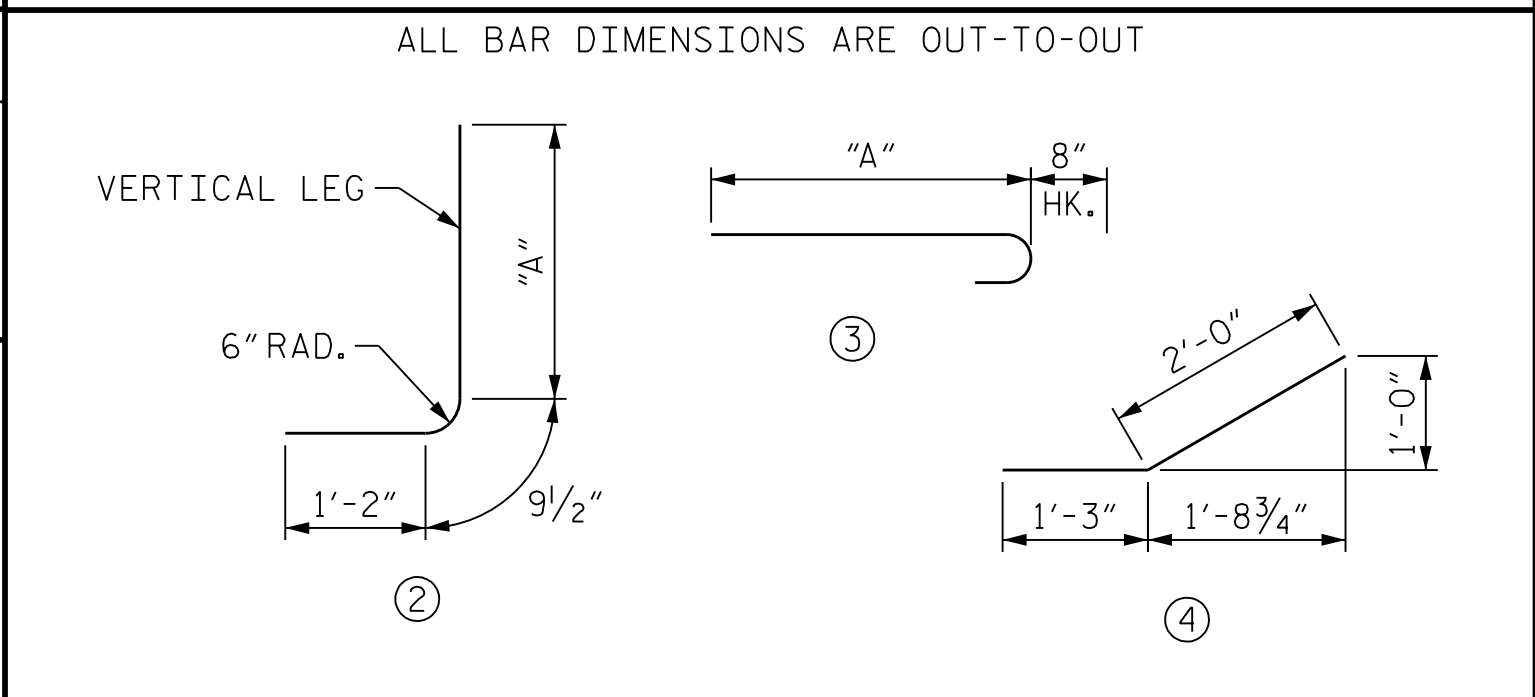
REINFORCING BAR SCHEDULE

BAR	NO.	SIZE	TYPE	DIM "A"	LENGTH	WEIGHT	BAR	NO.	SIZE	TYPE	DIM "A"	LENGTH	WEIGHT
H8	32	# 4	4	-	3' - 3"	69	V16	4	# 4	STR	-	8' - 1"	22
H9	16	# 4	STR	-	10' - 11"	117	V17	2	# 4	STR	-	7' - 7"	10
H10	4	# 4	STR	-	8' - 10"	24	V18	2	# 4	STR	-	7' - 2"	10
H11	4	# 4	STR	-	6' - 5"	17	V19	2	# 4	STR	-	6' - 9"	9
H12	4	# 4	STR	-	4' - 1"	11	V20	2	# 4	STR	-	6' - 4"	8
H13	4	# 4	STR	-	1' - 8"	4	V21	2	# 4	STR	-	5' - 11"	8
H14	4	# 4	STR	-	11' - 10"	32	V22	2	# 4	STR	-	5' - 6"	7
							V23	2	# 4	STR	-	5' - 1"	7
N23	4	# 6	2	8' - 10 1/2"	10' - 10"	65	V24	2	# 4	STR	-	4' - 8"	6
N24	2	# 6	2	8' - 6 1/2"	10' - 6"	32	V25	2	# 4	STR	-	4' - 3"	6
N25	2	# 6	2	8' - 3 1/2"	10' - 3"	31	V26	2	# 4	STR	-	3' - 10"	5
N26	2	# 6	2	7' - 11 1/2"	9' - 11"	30	V27	2	# 4	STR	-	3' - 5"	5
N27	2	# 6	2	7' - 8 1/2"	9' - 8"	29							
N28	2	# 6	2	7' - 5 1/2"	9' - 5"	28	Z24	2	# 6	3	6' - 6"	7' - 2"	22
N29	2	# 6	2	7' - 1 1/2"	9' - 1"	27	Z25	2	# 6	3	6' - 4"	7' - 0"	21
N30	2	# 6	2	6' - 10 1/2"	8' - 10"	27	Z26	2	# 6	3	6' - 2"	6' - 10"	21
N31	2	# 6	2	6' - 7 1/2"	8' - 7"	26	Z27	2	# 6	3	6' - 0"	6' - 8"	20
N32	2	# 6	2	6' - 3 1/2"	8' - 3"	25	Z28	2	# 6	3	5' - 10"	6' - 6"	20
N33	2	# 6	2	6' - 0 1/2"	8' - 0"	24	Z29	2	# 6	3	5' - 8"	6' - 4"	19
N34	2	# 6	2	5' - 9 1/2"	7' - 9"	23	Z30	2	# 6	3	5' - 6"	6' - 2"	19
N35	2	# 6	2	5' - 5 1/2"	7' - 5"	22	Z31	2	# 6	3	5' - 4"	6' - 0"	18
N36	2	# 6	2	5' - 2 1/2"	7' - 2"	22	Z32	2	# 6	3	5' - 2"	5' - 10"	18
N37	2	# 6	2	4' - 10 1/2"	6' - 10"	21	Z33	2	# 6	3	5' - 0"	5' - 8"	17
N38	2	# 6	2	4' - 7 1/2"	6' - 7"	20	Z34	2	# 6	3	4' - 10"	5' - 6"	17
N39	2	# 6	2	4' - 4 1/2"	6' - 4"	19	Z35	2	# 6	3	4' - 8"	5' - 4"	16
N40	2	# 6	2	4' - 1 1/2"	6' - 1"	18	Z36	2	# 6	3	4' - 6"	5' - 2"	16
							Z37	2	# 6	3	4' - 4"	5' - 0"	15
S1	6	# 6	STR	-	6' - 0"	54	Z38	2	# 6	3	4' - 2"	4' - 10"	15
							Z39	2	# 6	3	4' - 0"	4' - 8"	14
T2	8	# 5	STR	-	12' - 11"	108	Z40	2	# 6	3	3' - 10"	4' - 6"	14
							Z41	2	# 6	3	3' - 8"	4' - 4"	13
							Z42	2	# 6	3	3' - 6"	4' - 2"	13

QUANTITIES

REINFORCING STEEL FOR 2 WINGS	1356 LBS.
CLASS A CONCRETE 2 WINGS	13.8 C.Y.
1 HEADWALL	0.4 C.Y.
1 END CURTAIN WALL	0.3 C.Y.
TOTAL	14.5 C.Y.

BAR TYPES

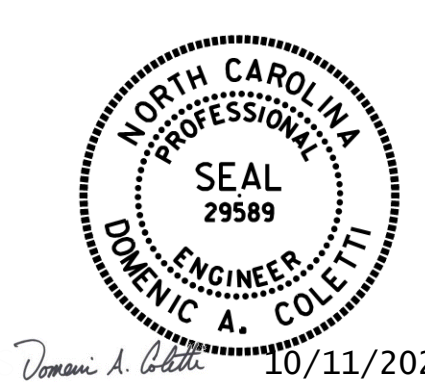


TYPICAL WING SECTION

PROJECT NO. U-2579AB
 FORSYTH COUNTY
 STATION: 19+75.11 -Y5B-

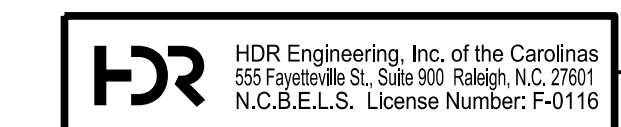
SHEET 4 OF 5

STATE OF NORTH CAROLINA
 DEPARTMENT OF TRANSPORTATION
 RALEIGH
 WINGS FOR
 CONCRETE BOX CULVERT
 90° SKEW



10/11/2021

REVISIONS						SHEET NO. C6-4	TOTAL SHEETS 5
NO.	BY:	DATE:	NO.	BY:	DATE:		
1			3				
2			4				



DOCUMENT NOT CONSIDERED FINAL UNLESS ALL SIGNATURES COMPLETED

PLOT DRIVER: NCDOT STRUCTURES DEFAULT PLOTTER.plt
 USER: PPRETOSO
 DATE: 5/20/2021
 TIME: 10:33:51 AM
 FILE: ... \WINGWALL VIEWS 2

DES BY: T. MCALEENAN	DATE: 08/19	DWG BY: T. MCALEENAN	DATE: 08/19
DES CHK: R. TURNAGE	DATE: 08/19	CHK BY: R. TURNAGE	DATE: 08/19