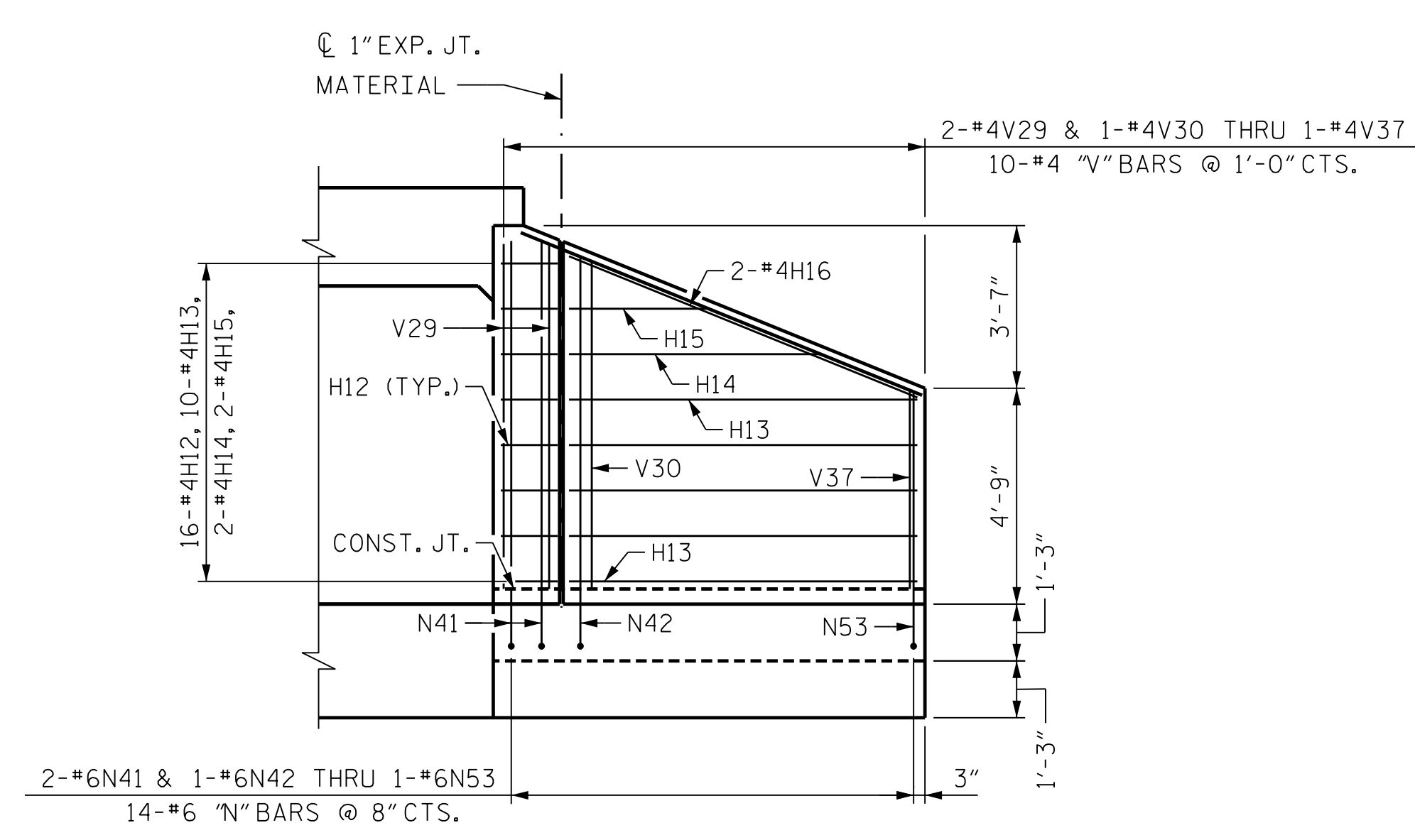
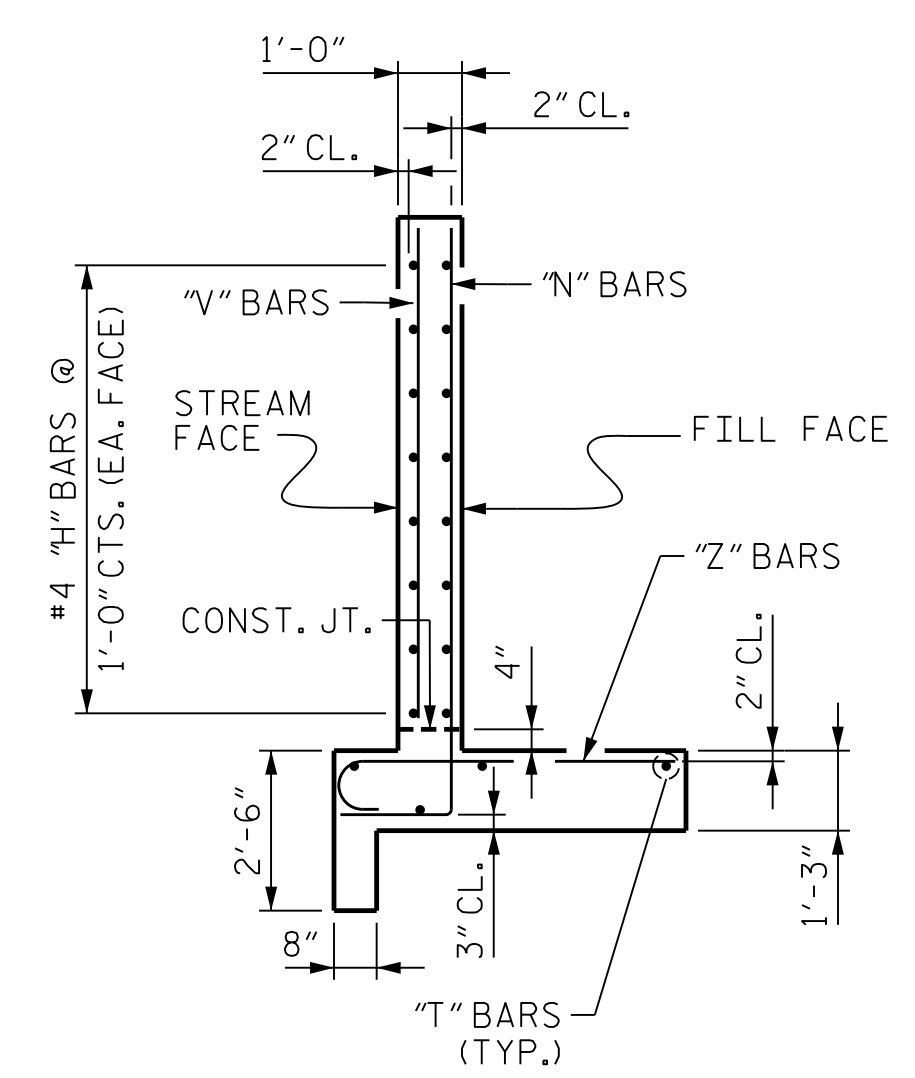


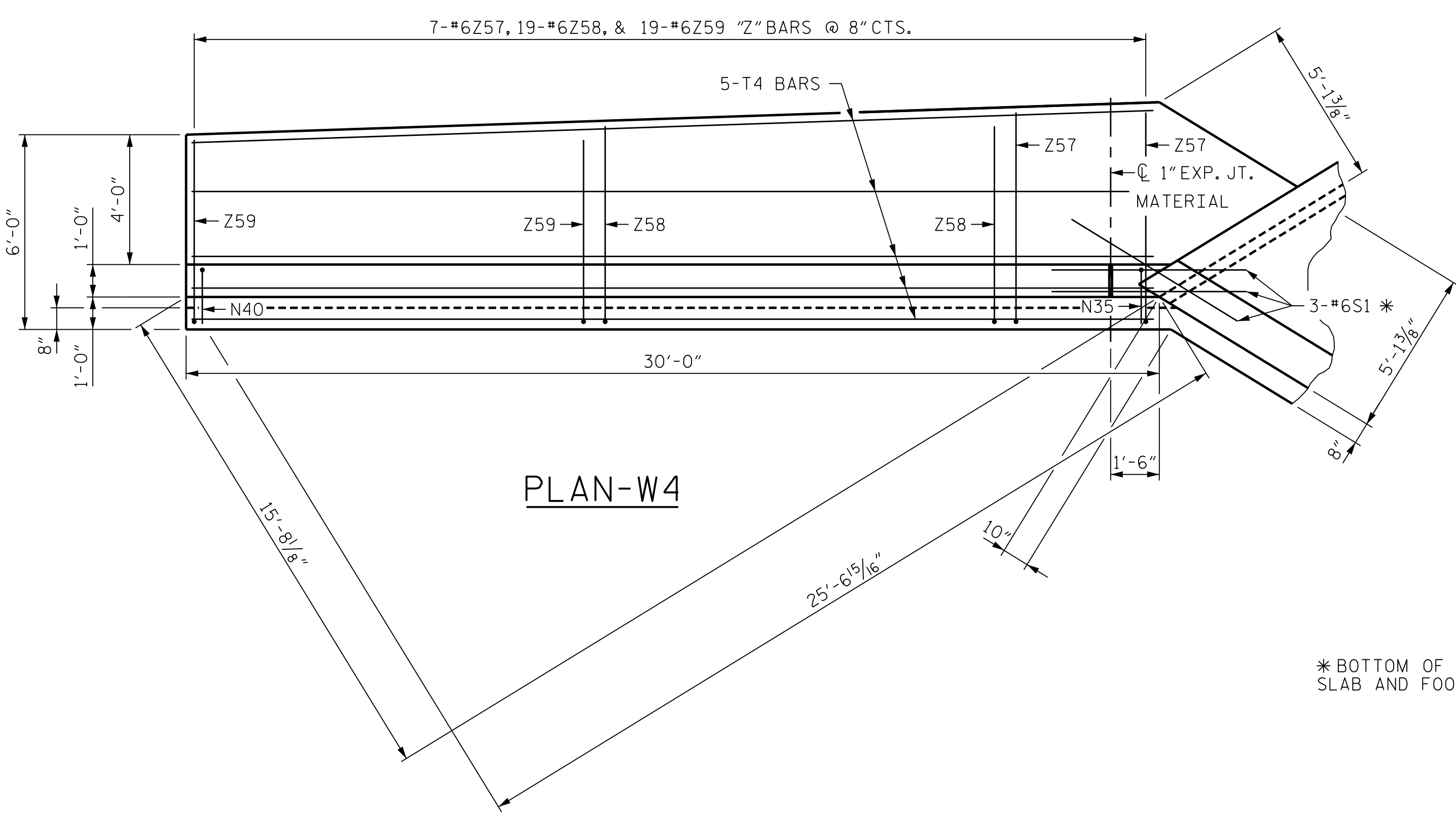
ELEVATION-W4



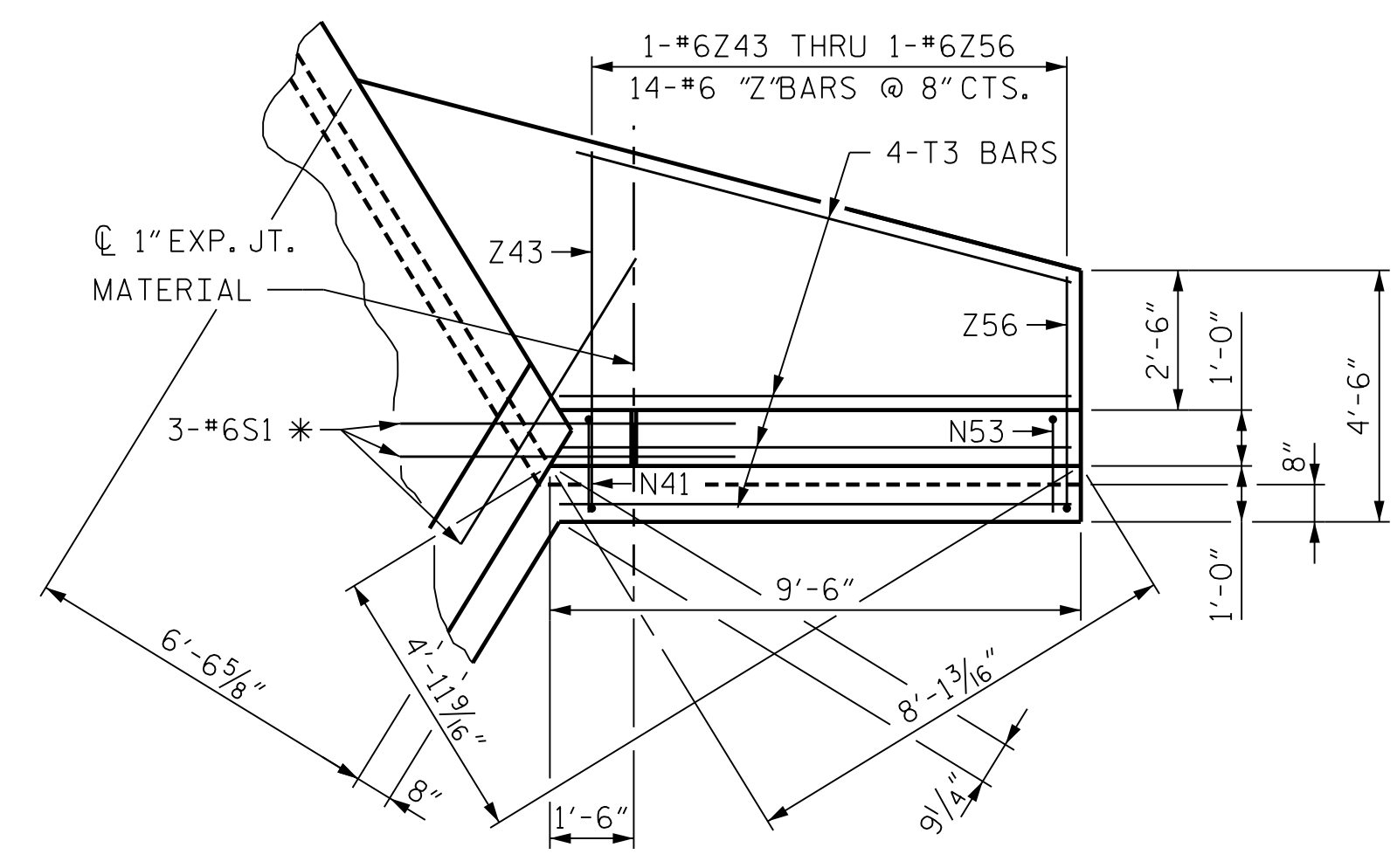
ELEVATION-W3



TYPICAL WING SECTION



PLAN-W4

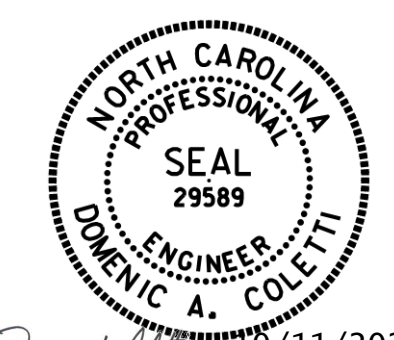


PLAN-W3

* BOTTOM OF FLOOR SLAB AND FOOTING

PROJECT NO. U-2579AB
 FORSYTH COUNTY
 STATION: 18+22.67 -Y5B-

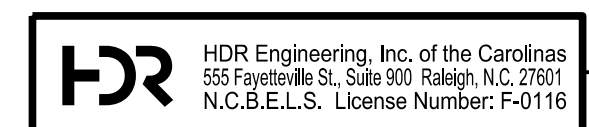
SHEET 7 OF 9



STATE OF NORTH CAROLINA
 DEPARTMENT OF TRANSPORTATION
 RALEIGH

WINGS FOR CONCRETE BOX CULVERT

DES BY: T. MCALEENAN	DATE: 07/19	DWG BY: T. MCALEENAN	DATE: 07/19
DES CHK: R. TURNAGE	DATE: 07/19	CHK BY: R. TURNAGE	DATE: 07/19



10/11/2021
 DOCUMENT NOT CONSIDERED FINAL UNLESS ALL SIGNATURES COMPLETED

REVISIONS					
NO.	BY:	DATE:	NO.	BY:	DATE:
1			3		
2			4		

SHEET NO. C5-7
TOTAL SHEETS 9

PLOT DRIVER: NCDOT STRUCTURES DEFAULT PLOTTER.plt
 USER: PETERSON DATE: 5/20/2021 TIME: 10:29:45 AM
 FILE: ... \WINGWALL VIEWS 2