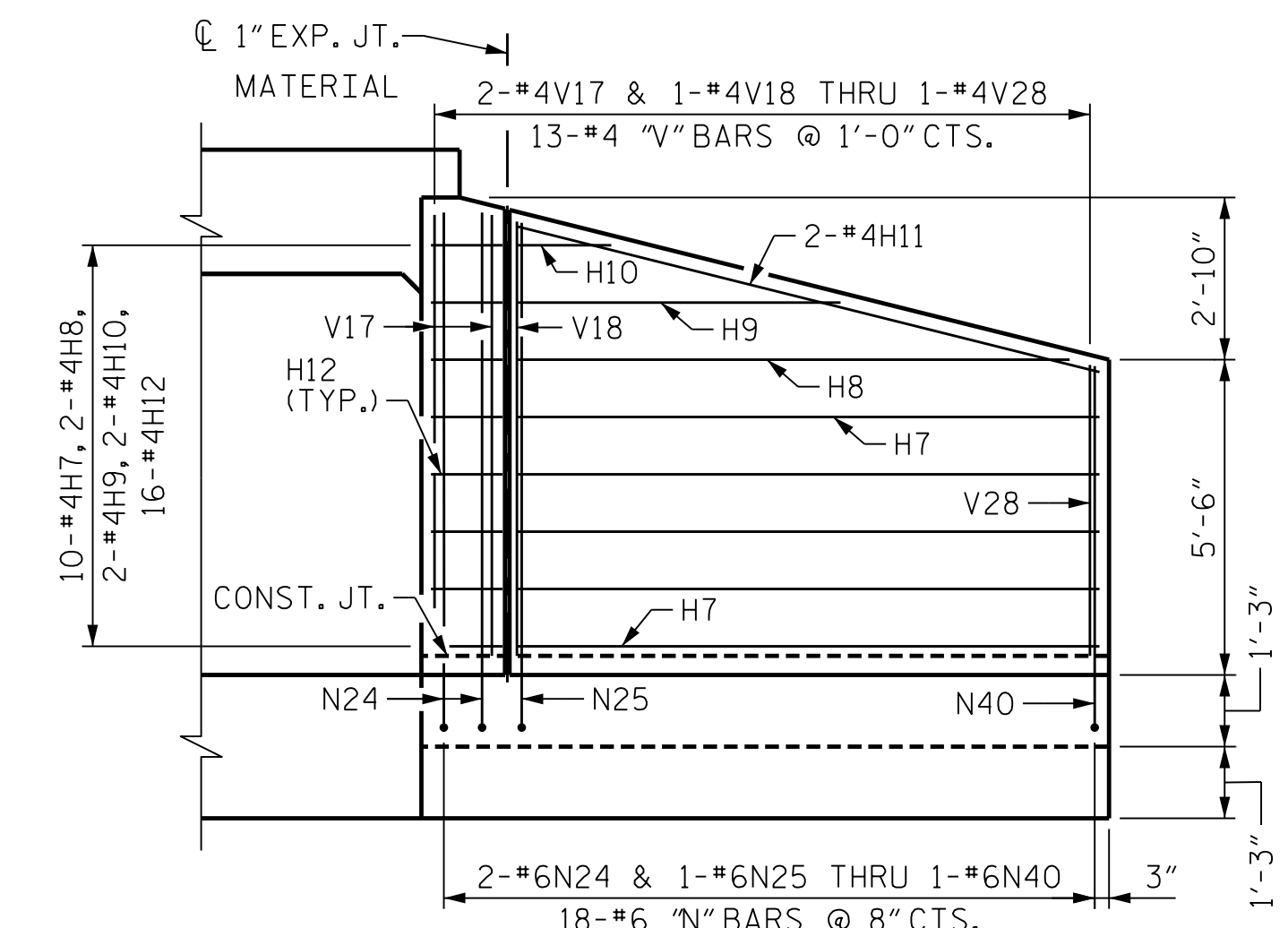
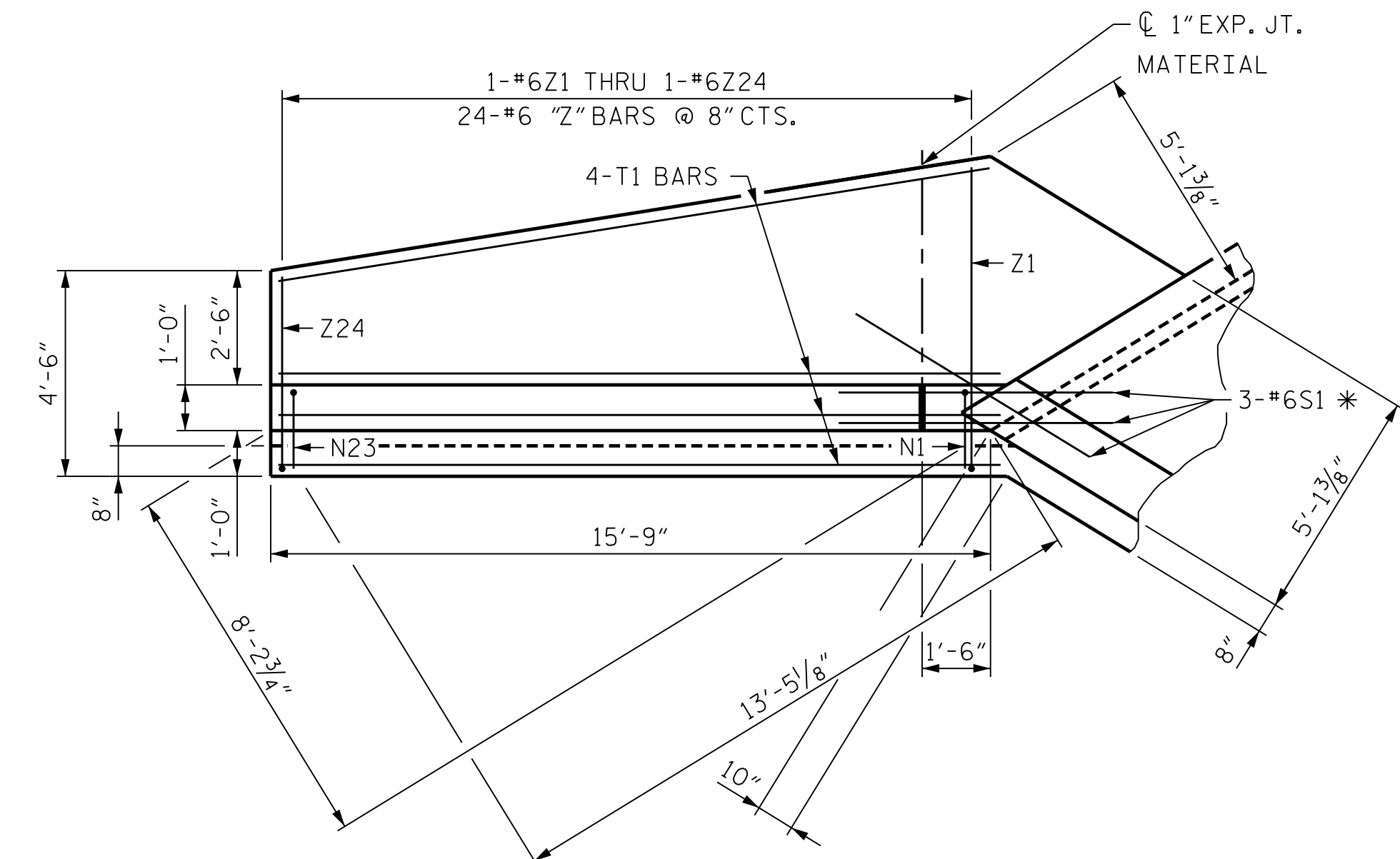


ELEVATION-W1

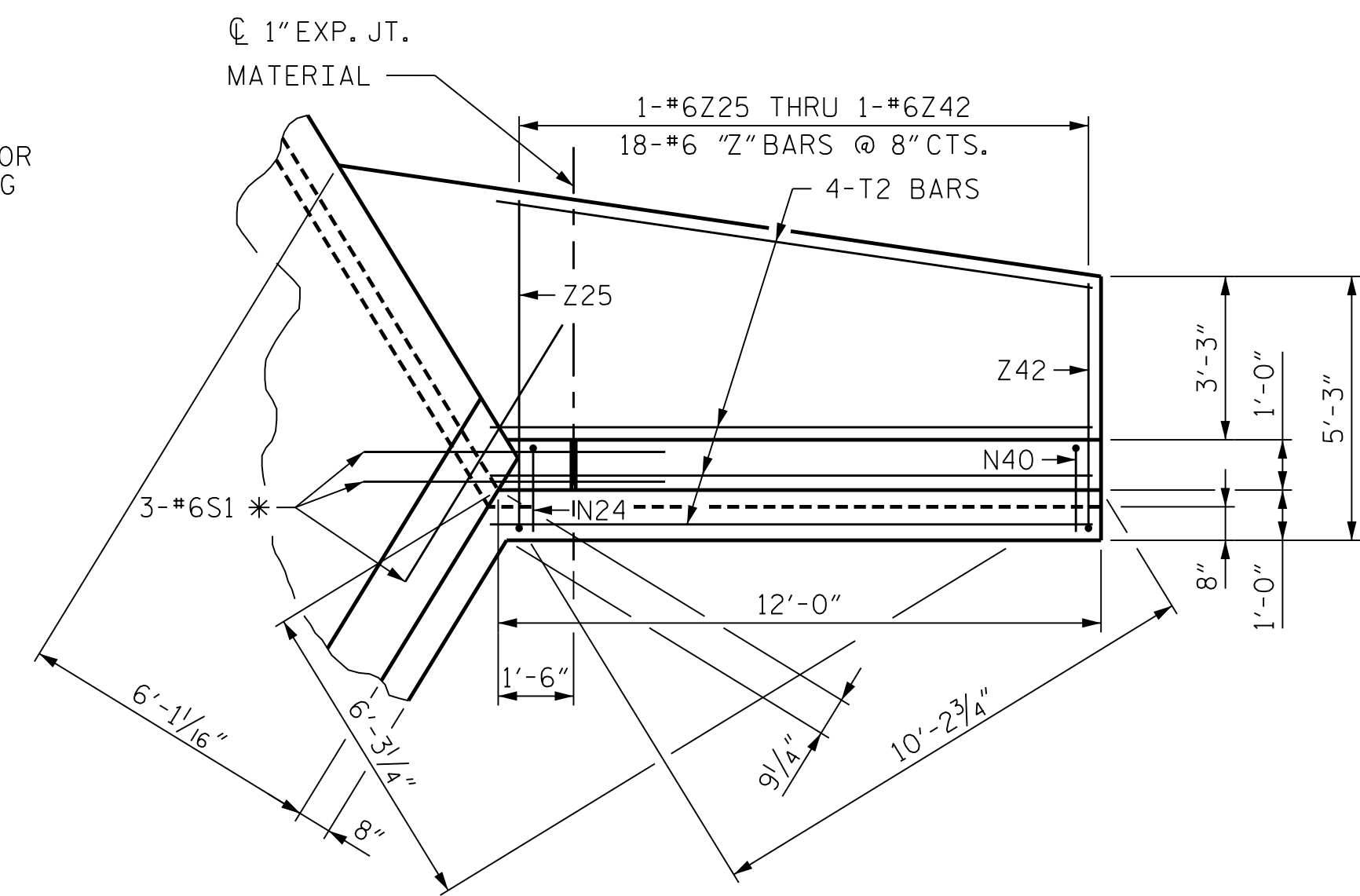


ELEVATION-W2

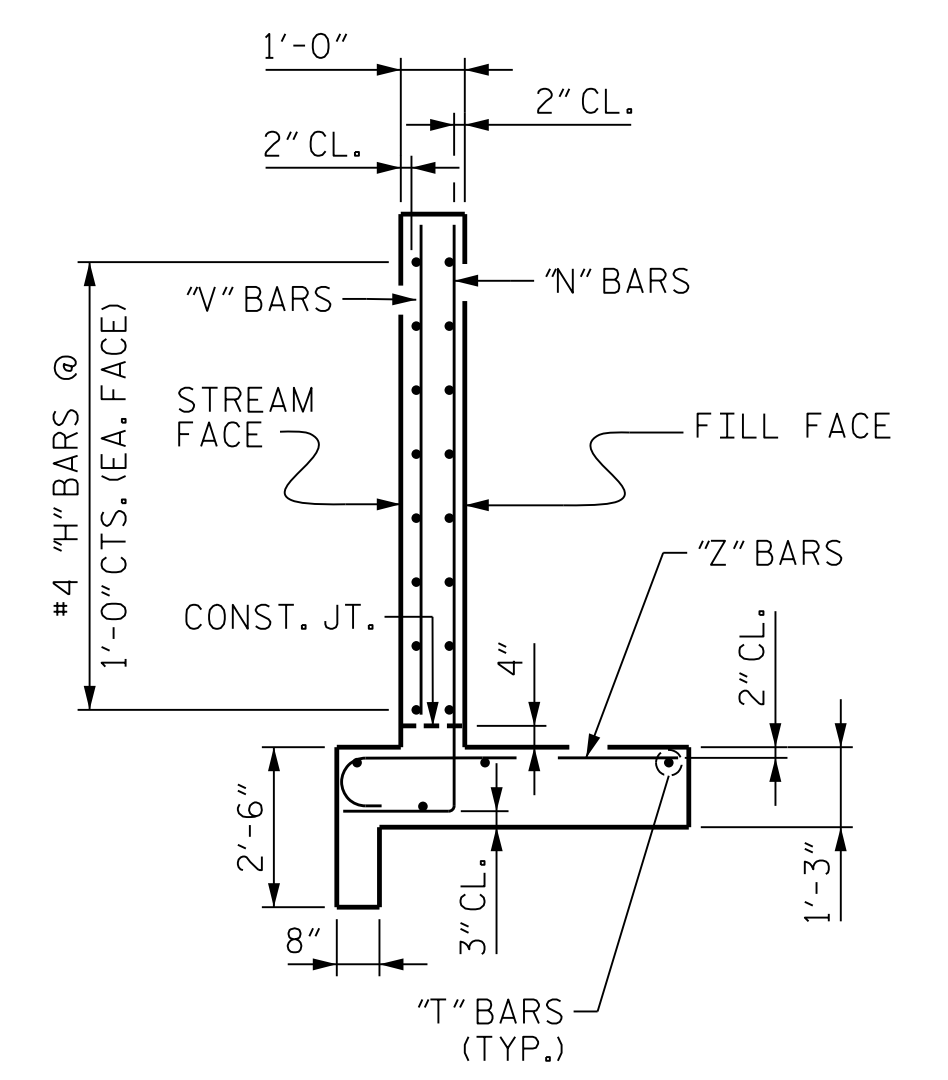


PLAN-W1

* BOTTOM OF FLOOR SLAB AND FOOTING



PLAN-W2

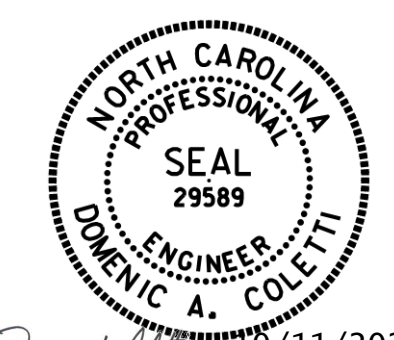


TYPICAL WING SECTION

PROJECT NO. U-2579AB
 FORSYTH COUNTY
 STATION: 18+22.67 -Y5B-
 SHEET 6 OF 9

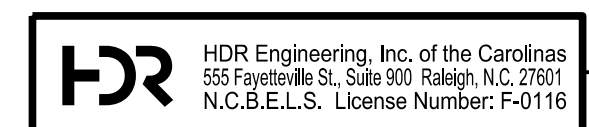
STATE OF NORTH CAROLINA
 DEPARTMENT OF TRANSPORTATION
 RALEIGH

WINGS FOR
 CONCRETE BOX
 CULVERT



10/11/2021

DES BY: T. MCALEENAN	DATE: 07/19	DWG BY: T. MCALEENAN	DATE: 07/19
DES CHK: R. TURNAGE	DATE: 07/19	CHK BY: R. TURNAGE	DATE: 07/19



DOCUMENT NOT CONSIDERED FINAL
 UNLESS ALL SIGNATURES COMPLETED

REVISIONS						SHEET NO. C5-6 TOTAL SHEETS 9
NO.	BY:	DATE:	NO.	BY:	DATE:	
1			3			
2			4			

PLOT DRIVER: NCDOT STRUCTURES DEFAULT PLOTTER.pht
 USER: PPRETOSO
 DATE: 5/20/2021
 TIME: 10:29:36 AM
 FILE: ... \WINGWALL VIEWS