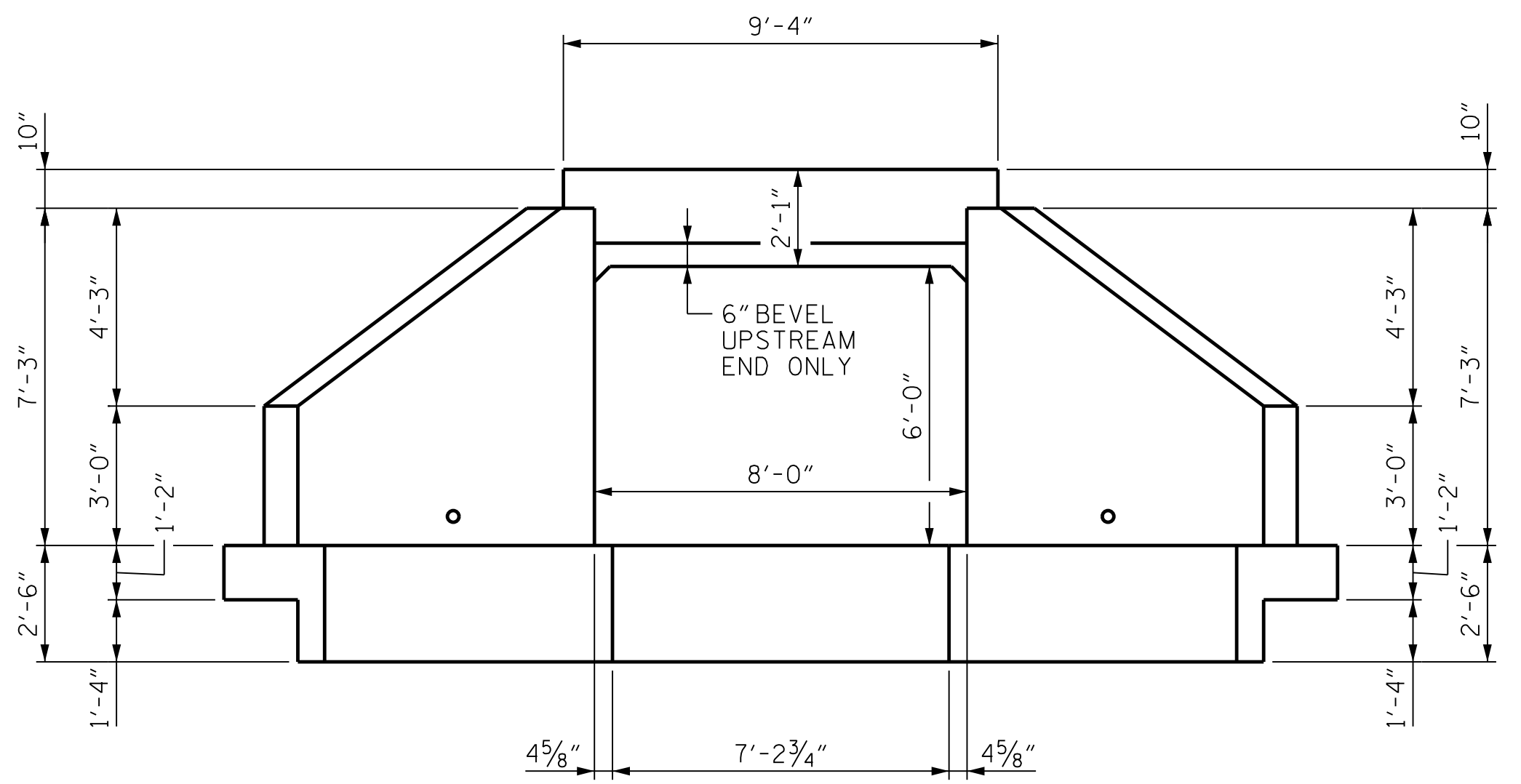


RIGHT ANGLE SECTION OF BARREL

THERE ARE 65 "C" BARS IN SECTION OF BARREL
 ** ALL CONTINUOUS HIGH CHAIR UPPER (C.H.C.U.) @ 3'-0" CTS.



END ELEVATION

REINFORCING STEEL BAR SCHEDULE STAGE 1

BAR	NO.	SIZE	TYPE	LENGTH	WEIGHT
A1	850	#5	1	6'-8"	5910
A2	850	#5	1	6'-8"	5910
A100	425	#7	STR	8'-11"	7746
A200	425	#7	STR	8'-11"	7746
A300	425	#4	STR	8'-11"	2531
A400	425	#4	STR	8'-11"	2531
B1	426	#4	STR	7'-10"	2229
B2	850	#5	STR	5'-2"	4581
C1	390	#4	STR	37'-10"	9856
E1	24	#4	STR	3'-0"	48
G1	2	#4	STR	9'-0"	12

REINFORCING STEEL (STAGE 1) 49,100 LBS

REINFORCING STEEL BAR SCHEDULE STAGE 2

BAR	NO.	SIZE	TYPE	LENGTH	WEIGHT
A1	474	#5	1	6'-8"	3296
A2	474	#5	1	6'-8"	3296
A100	237	#7	STR	8'-11"	4319
A200	237	#7	STR	8'-11"	4319
A300	237	#4	STR	8'-11"	1412
A400	237	#4	STR	8'-11"	1412
B1	238	#4	STR	7'-10"	1245
B2	474	#5	STR	5'-2"	2554
C2	260	#4	STR	31'-5"	5456
G1	2	#4	STR	9'-0"	12

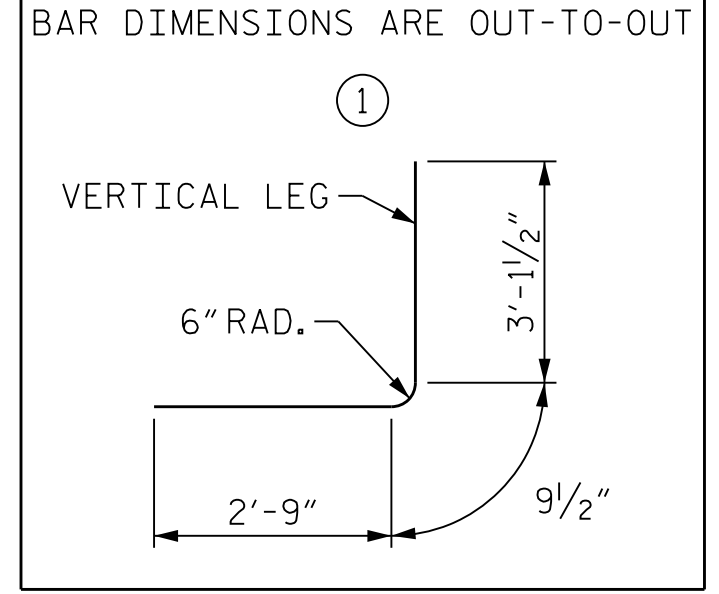
REINFORCING STEEL (STAGE 2) 27,321 LBS

CLASS A CONCRETE				
STAGE 1				229.0 C.Y.
STAGE 2				127.6 C.Y.
TOTAL				356.6 C.Y.

SPLICE LENGTH CHART

BAR	SIZE	SPLICE LENGTH
B1	#4	1'-10"
C1, C2	#4	2'-5"

BAR TYPE

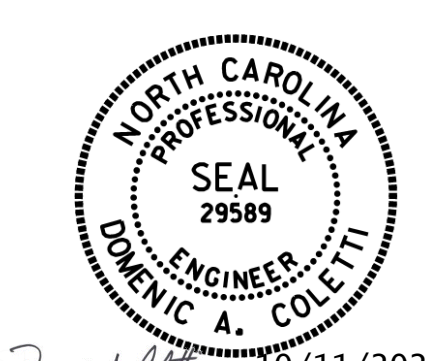


PROJECT NO. U-2579AB

FORSYTH COUNTY

STATION: 30+13.47 -Y15REV-

SHEET 4 OF 6



10/11/2021

STATE OF NORTH CAROLINA
 DEPARTMENT OF TRANSPORTATION
 RALEIGH

**SINGLE BARREL
 8 FT. X 6 FT.
 CONCRETE BOX CULVERT
 75° SKEW**

REVISIONS						SHEET NO. C4-4 TOTAL SHEETS 6
NO.	BY:	DATE:	NO.	BY:	DATE:	
1			3			
2			4			

PLOT DRIVER: NCDOT_pdf_color_eng-50dpi
 USER: PPETERSO DATE: 10/11/2021
 TIME: 8:14:28 AM
 FILE: ... \CROSS SECTION AND BAR LIST

DES BY: <u>T. MCALEENAN</u>	DATE: <u>11/19</u>	DWG BY: <u>T. MCALEENAN</u>	DATE: <u>11/19</u>
DES CHK: <u>R. TURNAGE</u>	DATE: <u>11/19</u>	CHK BY: <u>R. TURNAGE</u>	DATE: <u>11/19</u>



**DOCUMENT NOT CONSIDERED FINAL
 UNLESS ALL SIGNATURES COMPLETED**