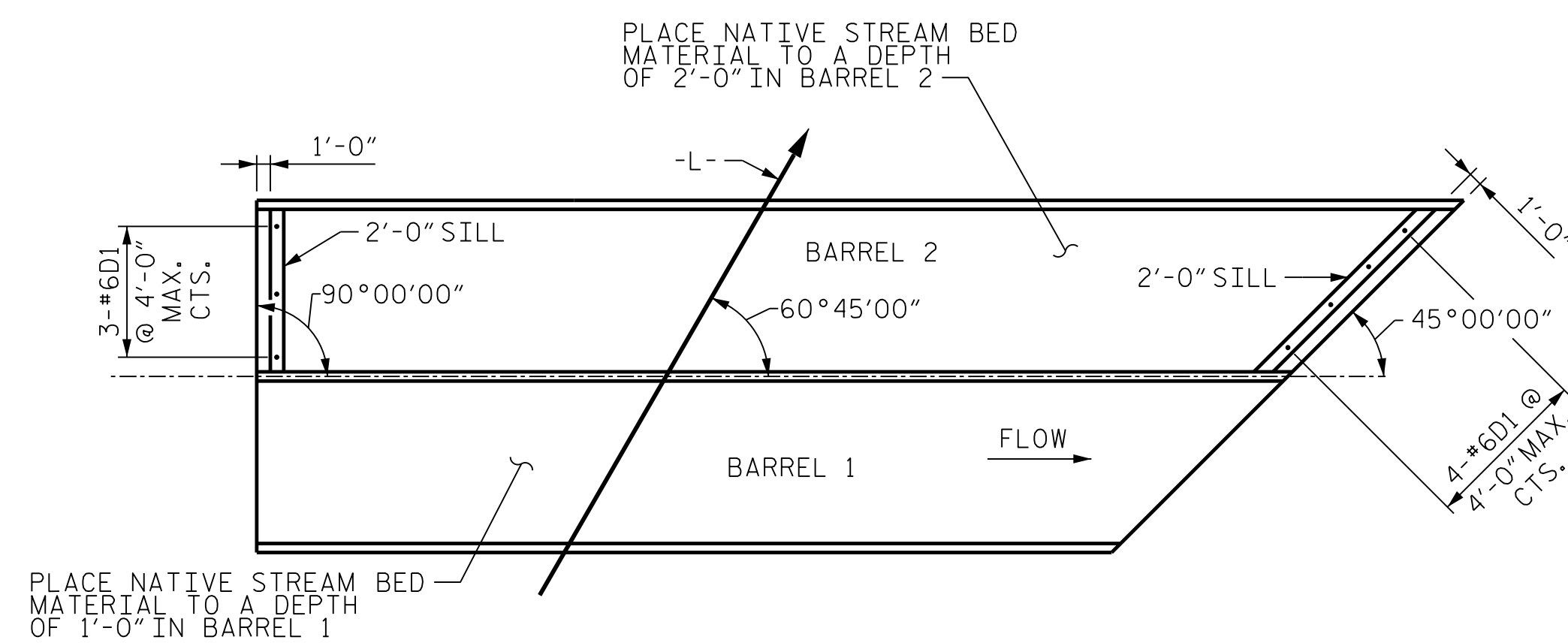
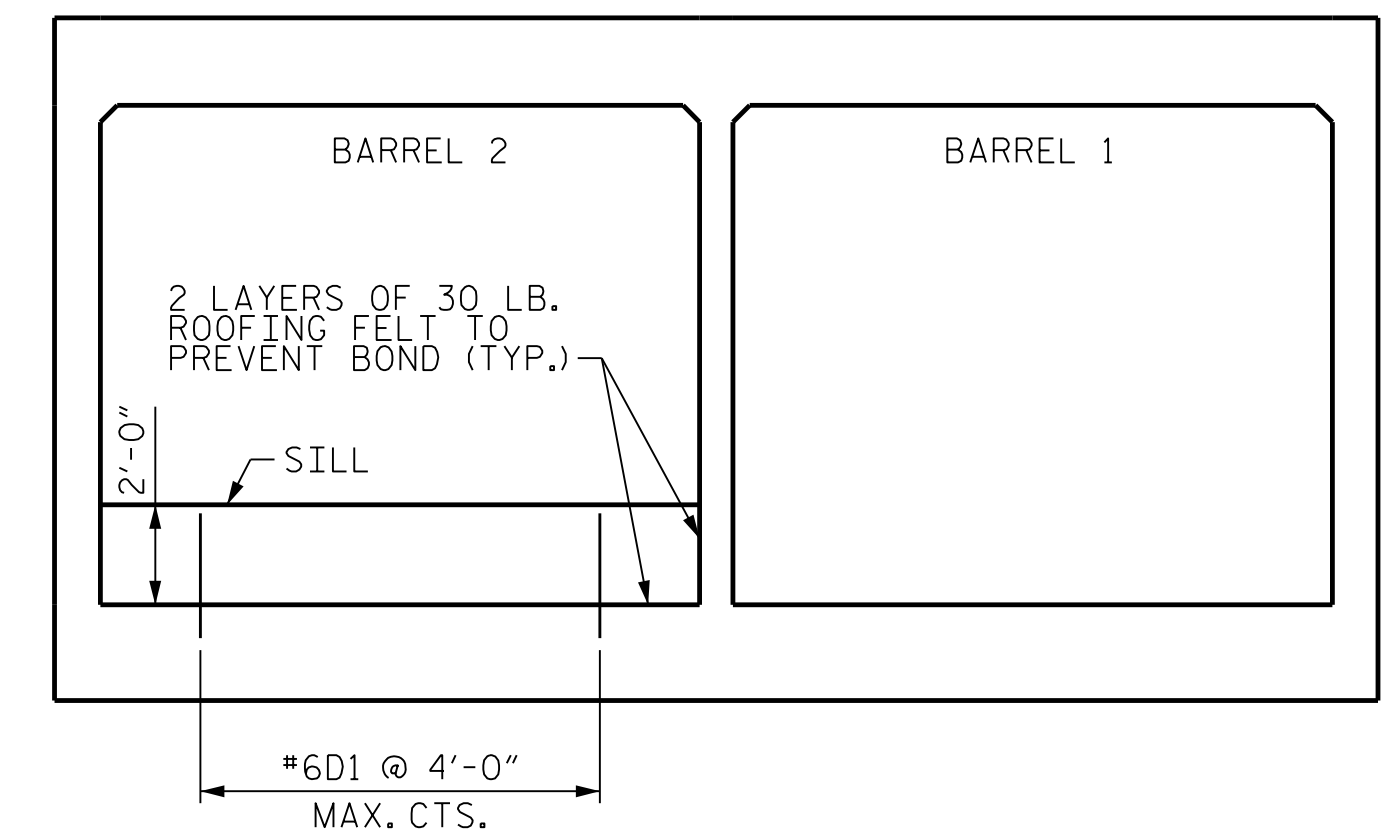


SECTION THROUGH SILL

* DOWELS MAY BE PUSHED INTO GREEN CONCRETE AFTER SLAB HAS BEEN FLOAT FINISHED.



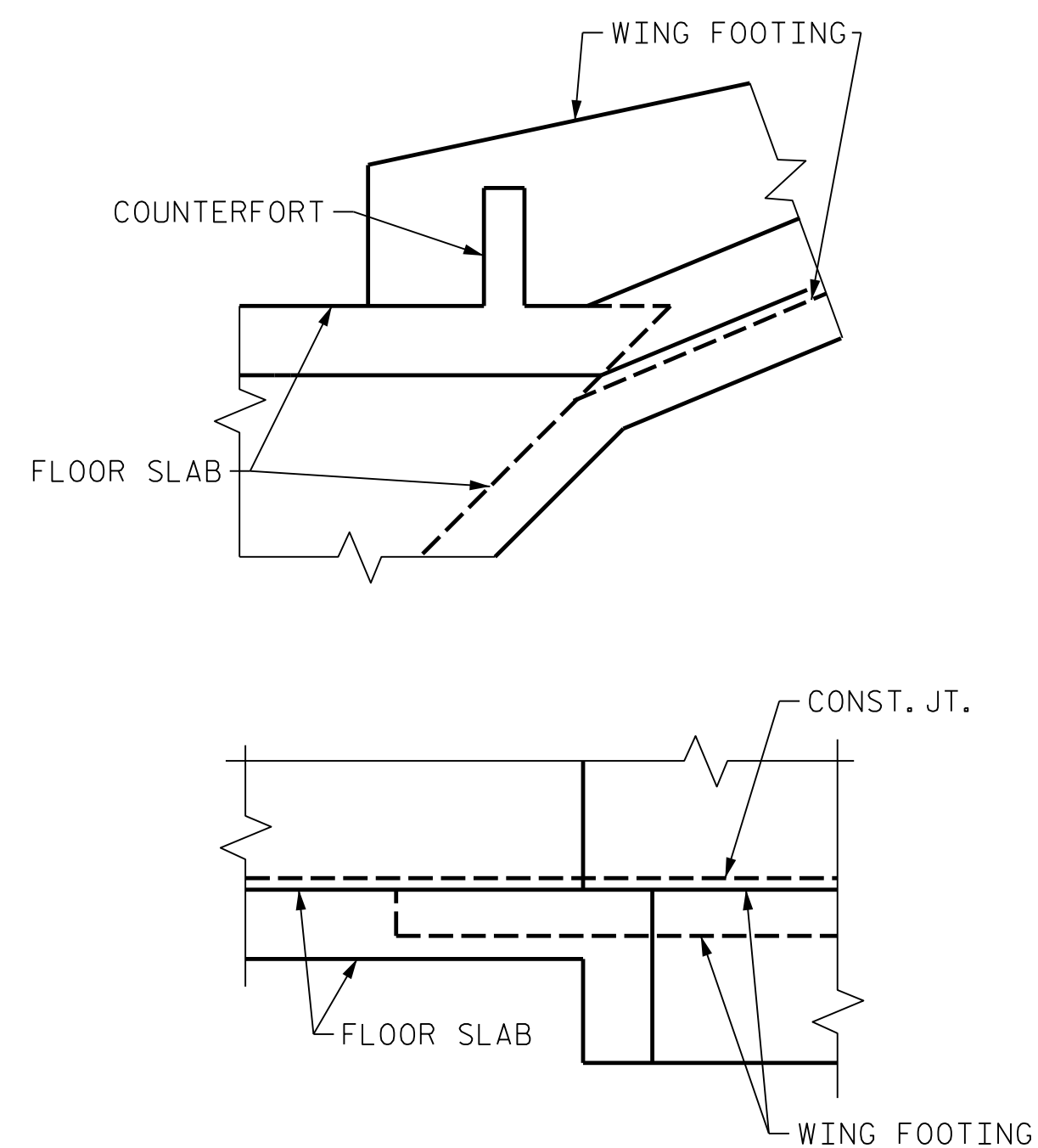
PLAN VIEW SHOWING SILL LOCATIONS



ELEVATION - LOOKING DOWNSTREAM

CULVERT SILL DETAILS

THE CONTRACTOR SHALL FILL THE PROPOSED CULVERT WITH NATIVE BED MATERIAL AS INDICATED IN THE PLANS. EXISTING BED MATERIAL SHALL BE STOCKPILED FOR USE IN THE PROPOSED CULVERT AS DIRECTED BY THE ENGINEER. THE BED MATERIAL MAY BE SUPPLEMENTED WITH CLASS B RIP RAP IF NEEDED. PAYMENT SHALL BE INCLUDED IN THE LUMP SUM PAY ITEM FOR CULVERT EXCAVATION.



CONNECTION OF WING FOOTING AND FLOOR SLAB WHEN SLAB IS THICKER THAN FOOTING

PROJECT NO. U-2579AB
FORSYTH COUNTY
 STATION: 768+62.23 -L-

SHEET 5 OF 11

STATE OF NORTH CAROLINA
 DEPARTMENT OF TRANSPORTATION
 RALEIGH
**DOUBLE BARREL
 12 FT. X 10 FT.
 CONCRETE BOX CULVERT
 60°45'00" SKEW**



Domenico A. Coletti 10/11/2021

REVISIONS						SHEET NO. CI-5 TOTAL SHEETS 11
NO.	BY:	DATE:	NO.	BY:	DATE:	
1			3			TOTAL SHEETS 11
2			4			



**DOCUMENT NOT CONSIDERED FINAL
 UNLESS ALL SIGNATURES COMPLETED**

PLOT DRIVER: NCDOT_STRUCTURES_DEFAULT_PLOTTER.plt PENTABLE: NCDOT_STRUCTURES_DEFAULT_PEN.tbl
 USER: PPRETOSO DATE: 5/20/2021 TIME: 9:54:32 AM
 FILE: ... \CULVERT DETAILS

DES BY: <u>T. MCALEENAN</u>	DATE: <u>09/19</u>	DWG BY: <u>T. MCALEENAN</u>	DATE: <u>09/19</u>
DES CHK: <u>R. TURNAGE</u>	DATE: <u>09/19</u>	CHK BY: <u>R. TURNAGE</u>	DATE: <u>09/19</u>