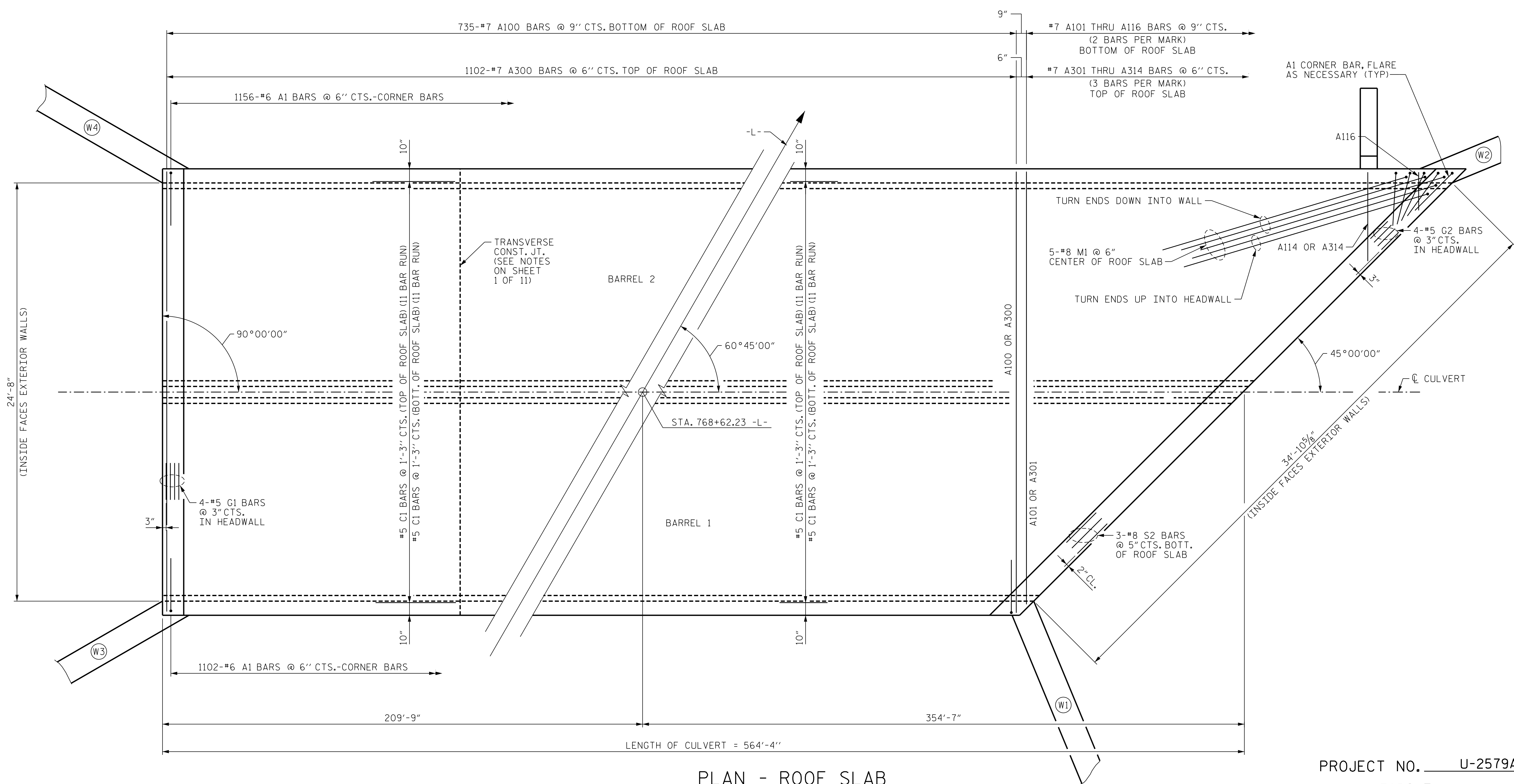
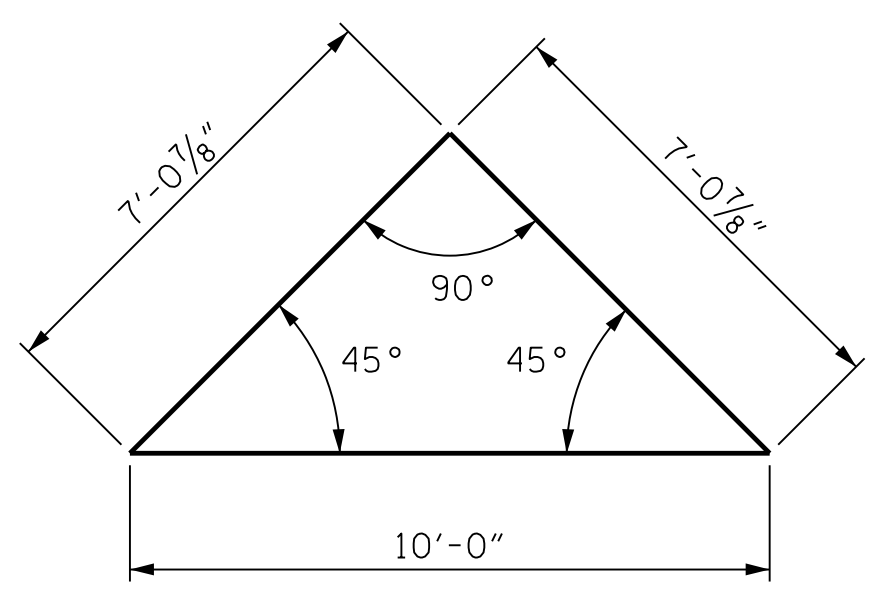


PLOT DRIVER: NCDOT_STRUCTURES_DEFAULT_PLOTTER.plt
 USER: PETERSON DATE: 5/20/2021
 FILE: ... \PLAN VIEW (FLOOR)



PLAN - ROOF SLAB



SKIEW TRIANGLE

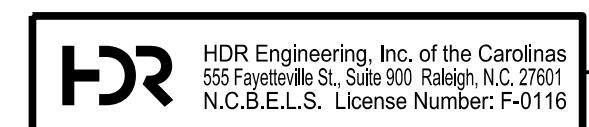
PROJECT NO. U-2579AB
FORSYTH COUNTY
 STATION: 768+62.23 -L-
 SHEET 4 OF 11

STATE OF NORTH CAROLINA
 DEPARTMENT OF TRANSPORTATION
 RALEIGH
**DOUBLE BARREL
 12 FT. X 10 FT.
 CONCRETE BOX CULVERT
 60° 45' 00" SKEW**



10/11/2021

DES BY: T. MCALEENAN	DATE: 09/19	DWG BY: T. MCALEENAN	DATE: 09/19
DES CHK: R. TURNAGE	DATE: 09/19	CHK BY: R. TURNAGE	DATE: 09/19



DOCUMENT NOT CONSIDERED FINAL
 UNLESS ALL SIGNATURES COMPLETED

REVISIONS					
NO.	BY:	DATE:	NO.	BY:	DATE:
1			3		
2			4		

SHEET NO. CI-4
TOTAL SHEETS 11